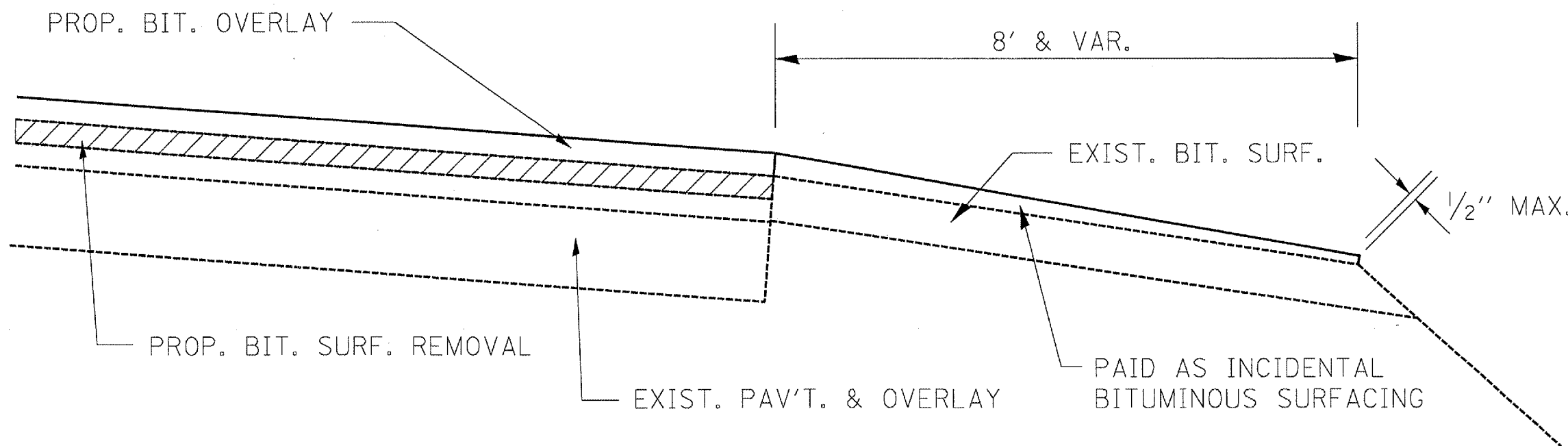


F.A.P. RTE.	SECTION	COUNTY	TOTAL SHEETS	SHEET NO.
612	1109.110RS-1		40	34
STA.		TO STA.		
FED. ROAD DIST. NO.		ILLINOIS FED. AID PROJECT		
*FULTON & SCHUYLER				



PLOT DATE : 3/16/2005
 FILE NAME : c:\p\p\68333\68333.dgn
 PLOT SCALE : 1/8"=1'-0"
 REFERENCE : WIEP*

REVISIONS	
NAME	DATE

ILLINOIS DEPARTMENT OF TRANSPORTATION
 RURAL DETAIL
 ENTRANCES, SIDEROADS,
 AND MAILBOX TURNOUTS

SCALE: VERT.
 HORIZ.
 DATE

DRAWN BY
 CHECKED BY