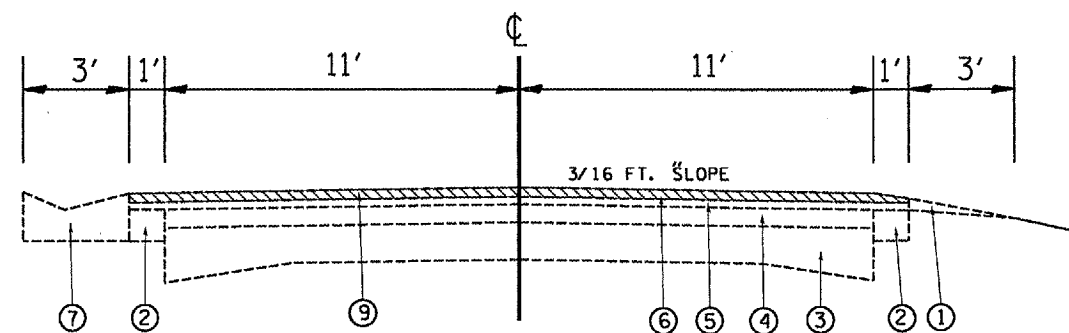
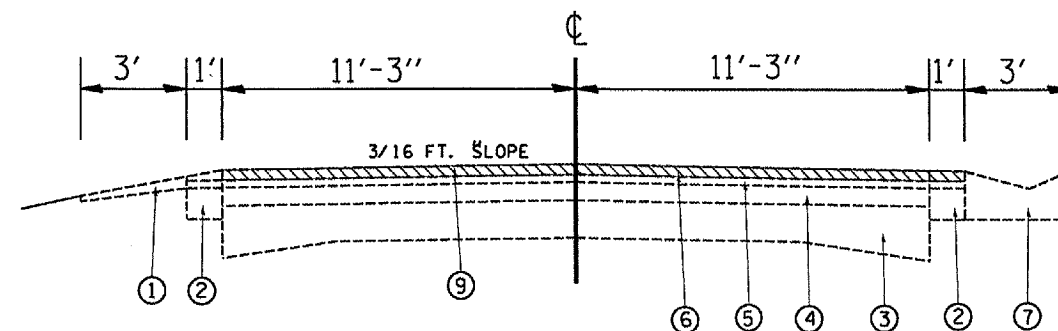


F.A.P. RTE.	SECTION	COUNTY	TOTAL SHEETS	SHEET NO.
612	(109.110)RS-1		40	9
STA.		TO STA.		
FED. ROAD DIST. NO.		ILLINOIS FED. AID PROJECT		

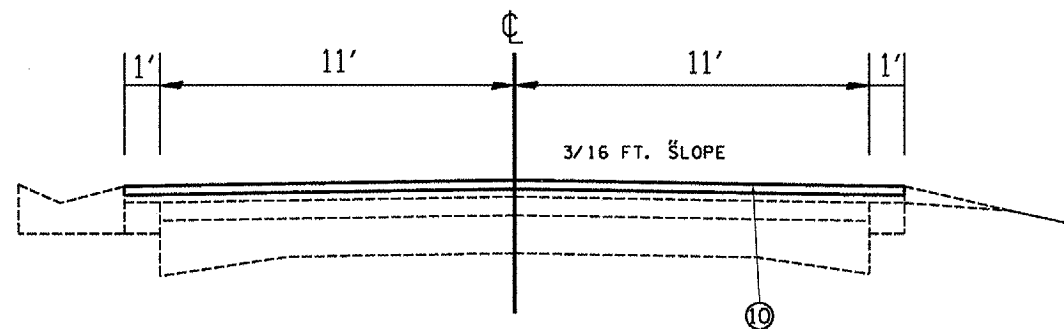
\*FULTON & SCHUYLER



EXISTING

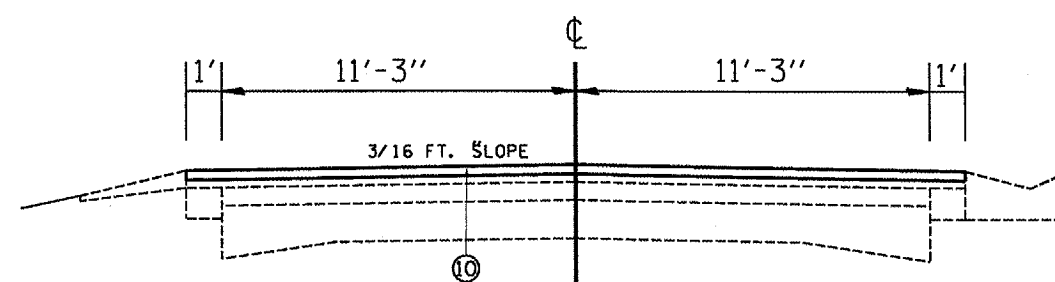


EXISTING



PROPOSED

STA. 1315+24 - 1319+79.50 (WEST WYE)



PROPOSED

STA. 1315+24 - 1321+31.70 (EAST WYE)

- ① EXIST. AGG. SHLDR. TYPE B
- ② EXIST. STAB. SHLDR. 6"
- ③ EXIST. PCC PAV'T.
- ④ EXIST. BIT. OVERLAY
- ⑤ EXIST. LEVEL BINDER MM TYPE 2, 3/4"
- ⑥ EXIST. BCSC MIX C, CL I, TY 2, 1 1/2"
- ⑦ EXIST. CONC. GUTTER TYPE A
- ⑧ PROP. BIT. SURF. REMOVAL, 3/4"
- ⑨ PROP. BIT. SURF. REMOVAL, 1 1/2"
- ⑩ PROP. BCSC, SUPERPAVE, MIX D, N50, 1 1/2"
- ⑪ PROP. AGG. SHLDR., TYPE B

NOTE: 30' Butt Joint will taper from 1/2" to 1 1/2". Remainder of the Butt Joint will be 1 1/2".

REVISIONS	
NAME	DATE

ILLINOIS DEPARTMENT OF TRANSPORTATION  
**EXISTING AND PROPOSED  
 TYPICALS SECTIONS**

SCALE: VERT.  
 HORIZ.  
 DATE

DRAWN BY  
 CHECKED BY