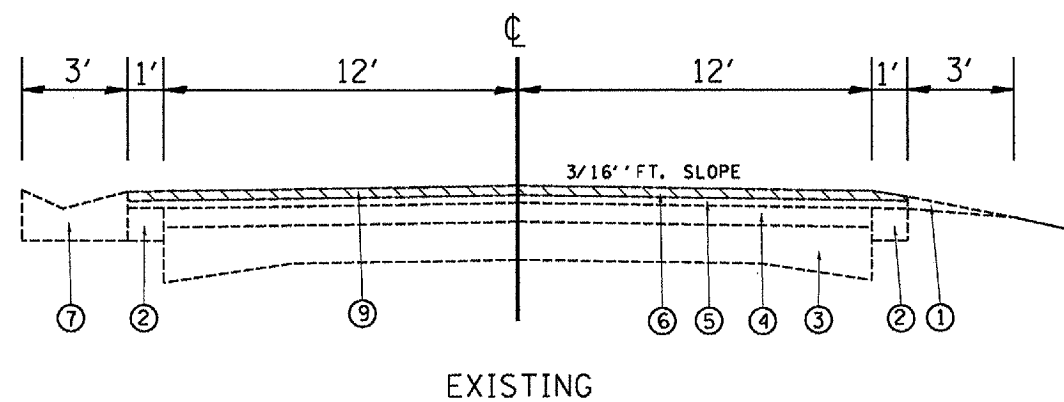
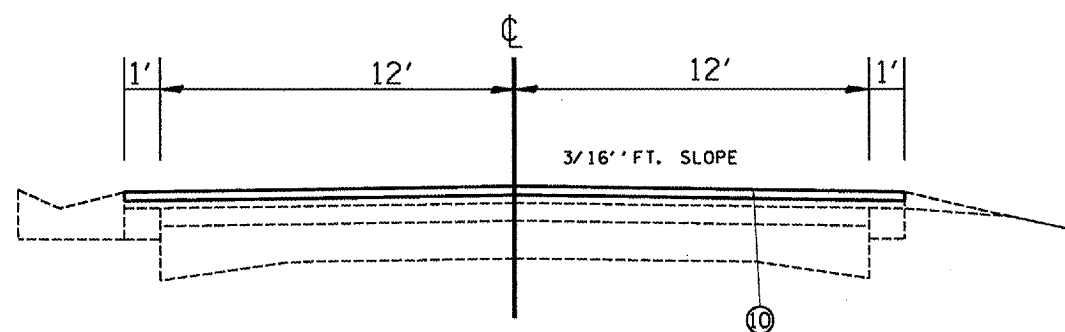


F.A.P. RTE.	SECTION	COUNTY	TOTAL SHEETS	SHEET NO.
612	1109.110RS-1		40	8
STA.	TO STA.			
FED. ROAD DIST. NO.	ILLINOIS FED. AID PROJECT			
*FULTON & SCHUYLER				

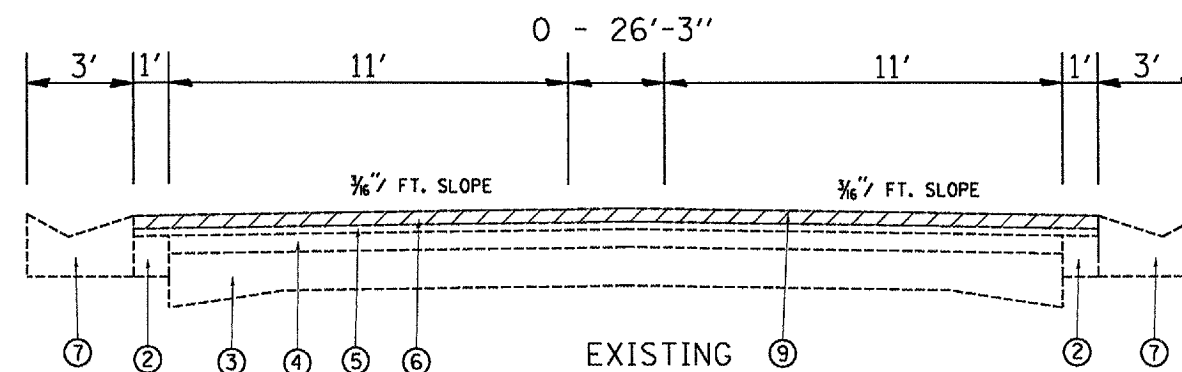


EXISTING

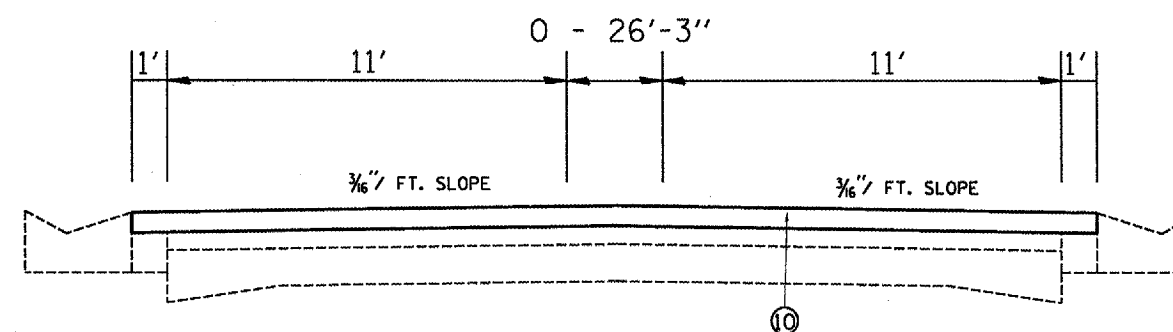


PROPOSED

STA. 1310+86 - 1314+26.8



EXISTING



PROPOSED

STA. 1314+26.8 - 1315+24

- ① EXIST. AGG. SHLDR. TYPE B
- ② EXIST. STAB. SHLDR. 6"
- ③ EXIST. PCC PAV'T.
- ④ EXIST. BIT. OVERLAY
- ⑤ EXIST. LEVEL BINDER MM TYPE 2, 3/4"
- ⑥ EXIST. BCSC MIX C, CL I, TY 2, 1 1/2"
- ⑦ EXIST. CONC. GUTTER TYPE A
- ⑧ PROP. BIT. SURF. REMOVAL, 3/4"
- ⑨ PROP. BIT. SURF. REMOVAL, 1 1/2"
- ⑩ PROP. BCSC, SUPERPAVE, MIX D, N50, 1 1/2"
- ⑪ PROP. AGG. SHLDR., TYPE B

REVISIONS	
NAME	DATE

ILLINOIS DEPARTMENT OF TRANSPORTATION
**EXISTING AND PROPOSED
 TYPICALS SECTIONS**

SCALE: VERT.
 HORIZ.
 DATE

DRAWN BY
 CHECKED BY