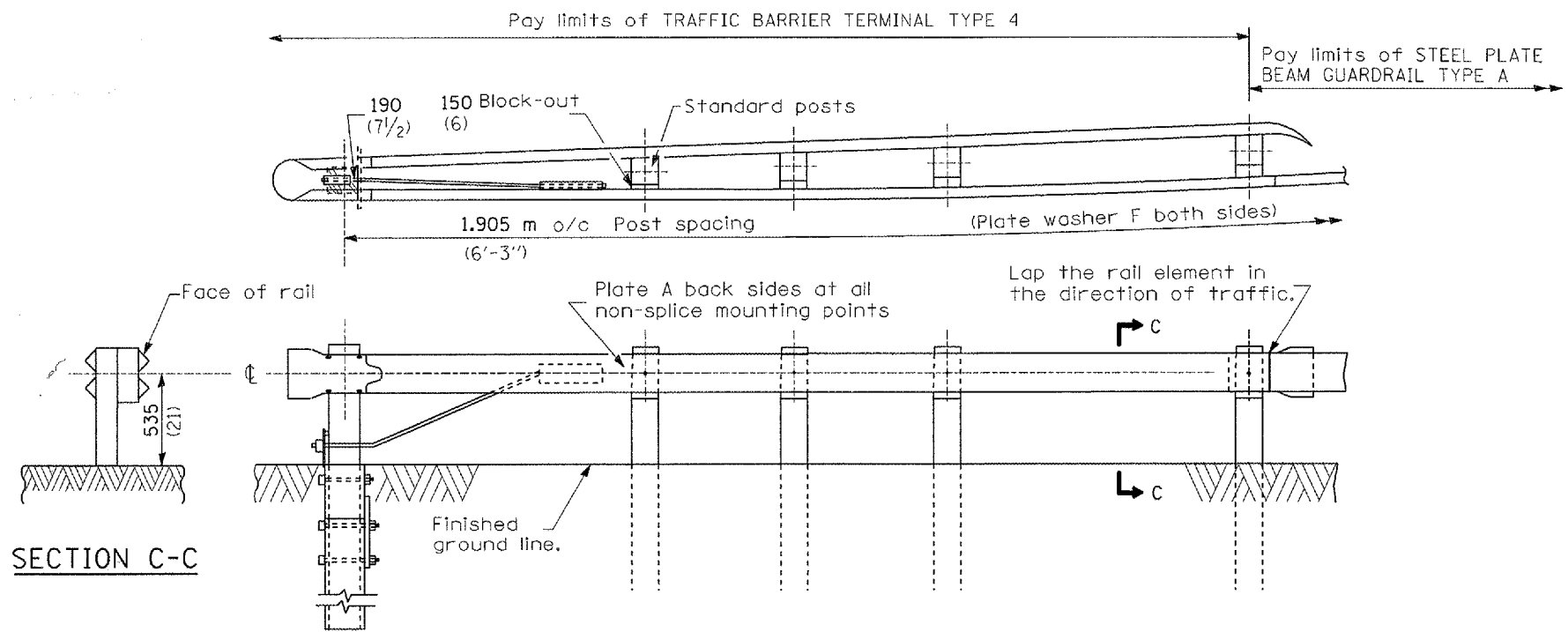


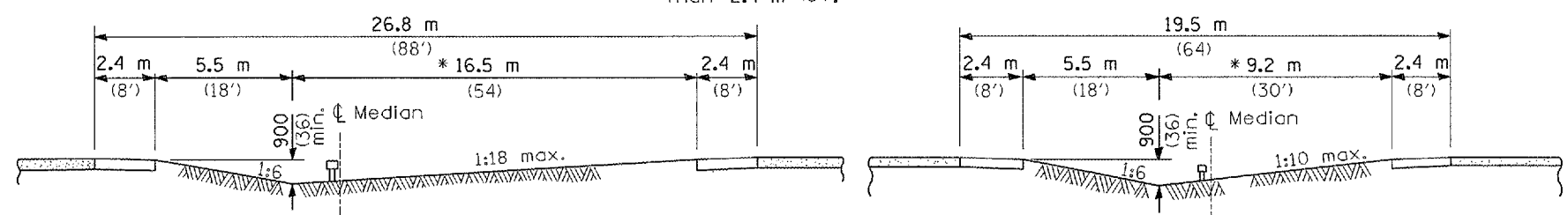
F. A. SHE.	SECTION	COUNTY	TOTAL SHEETS	SHEET NO.
VAR.	*	VAR.	14	14
STA.	TO STA.			
FED. ROAD DIST. NO.	ILLINOIS	FED. AID PROJECT		

D-3 HIGHWAY DAMAGE REPAIR 2005  
CONTRACT #66660



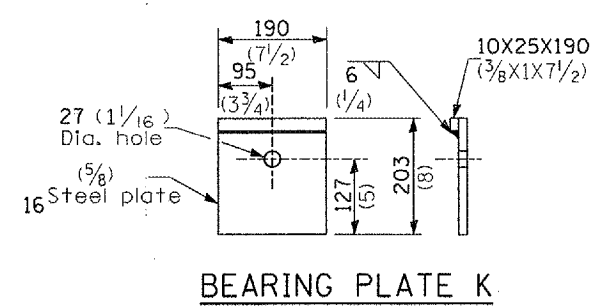
RETURNED END DETAIL

\* Adjust this dimension when the width of the shoulders is other than 2.4 m (8').

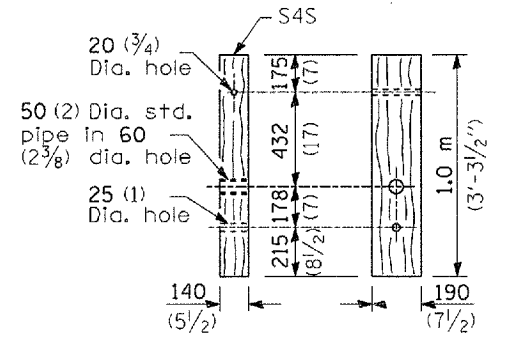


SECTION A-A

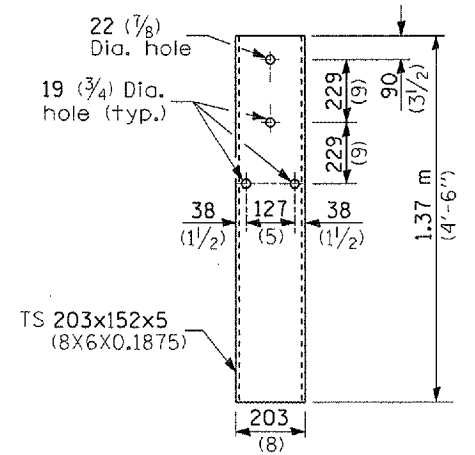
SECTION B-B



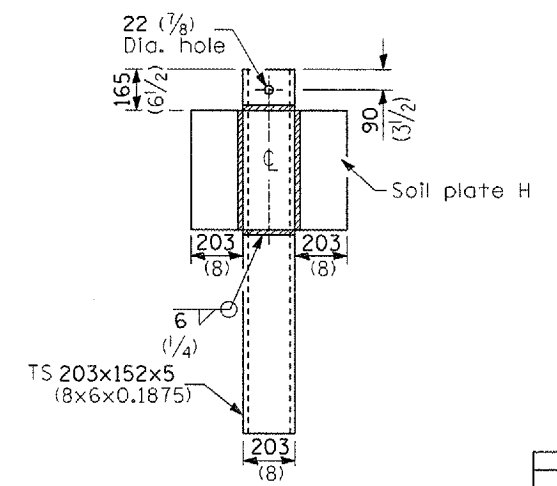
BEARING PLATE K



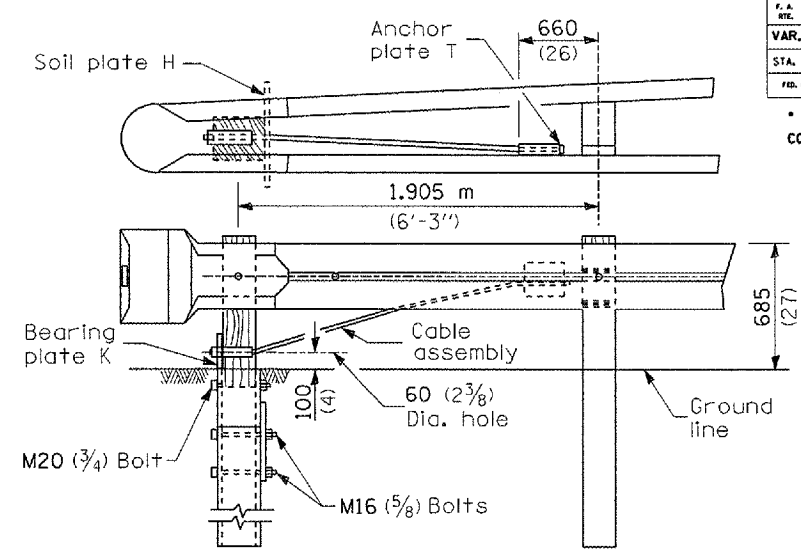
WOOD BREAKAWAY POST



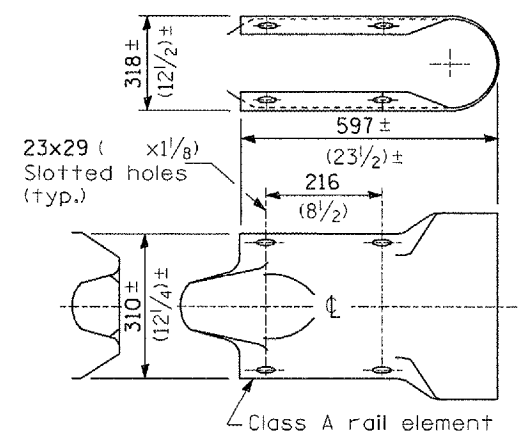
STEEL TUBE



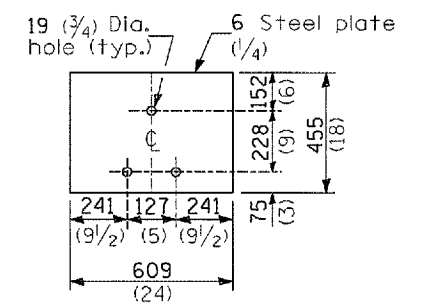
ALTERNATE SOIL PLATE CONNECTION



WOOD POST TUBULAR STEEL FOUNDATION



RETURN END SECTION



SOIL PLATE H

**DETAIL INCLUDED FOR REPAIR ONLY**

All dimensions are in millimeters (inches) unless otherwise shown.

ILLINOIS DEPARTMENT OF TRANSPORTATION

**TRAFFIC BARRIER TERMINAL TYPE 4**

REVISIONS	
NAME	DATE

3/31/2005 c:\p\ro\lect\led0605\detal1.s.dgn