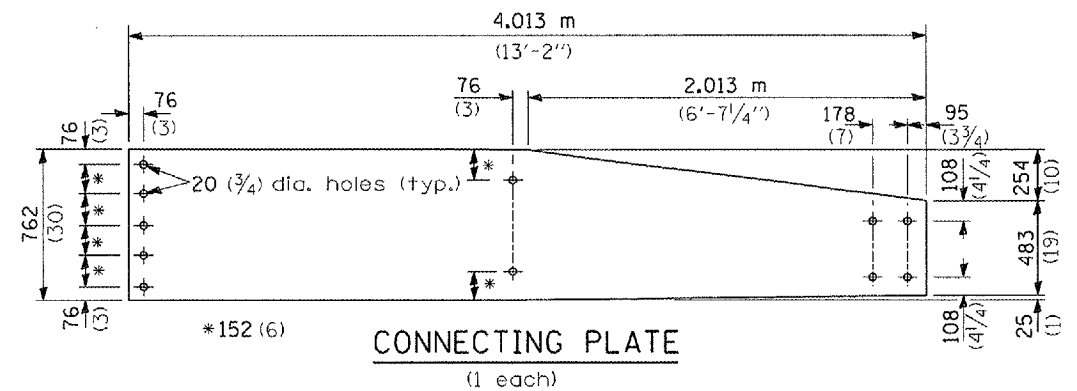
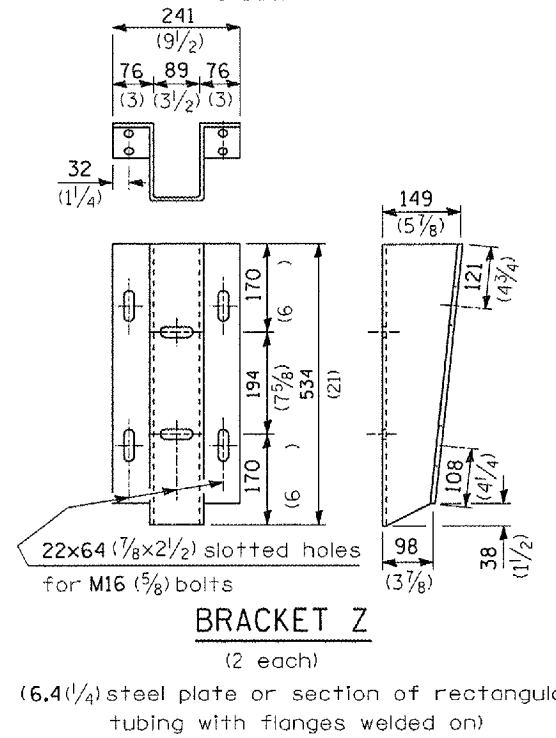
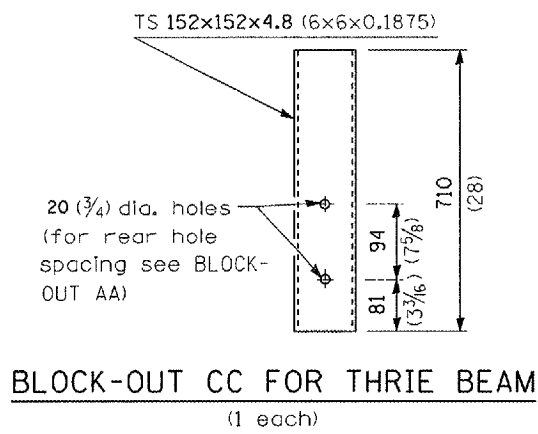
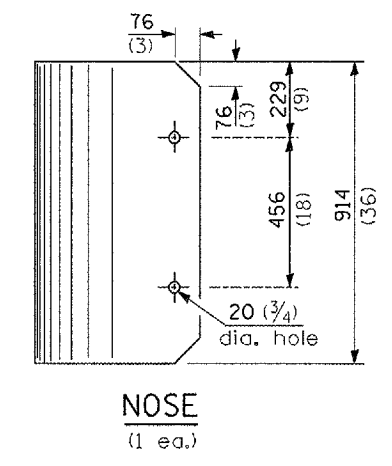
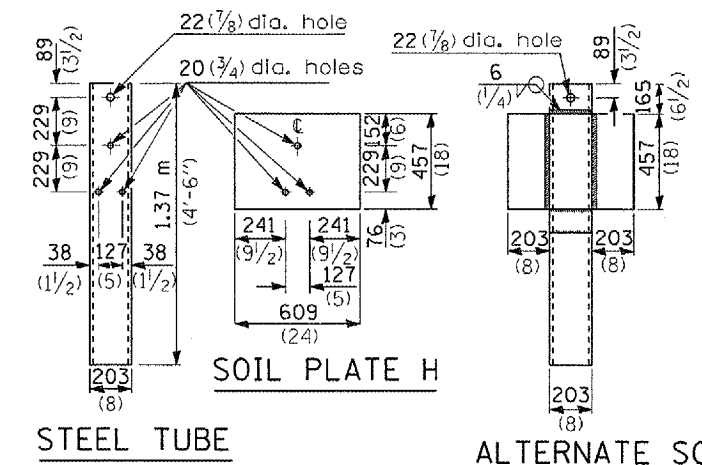
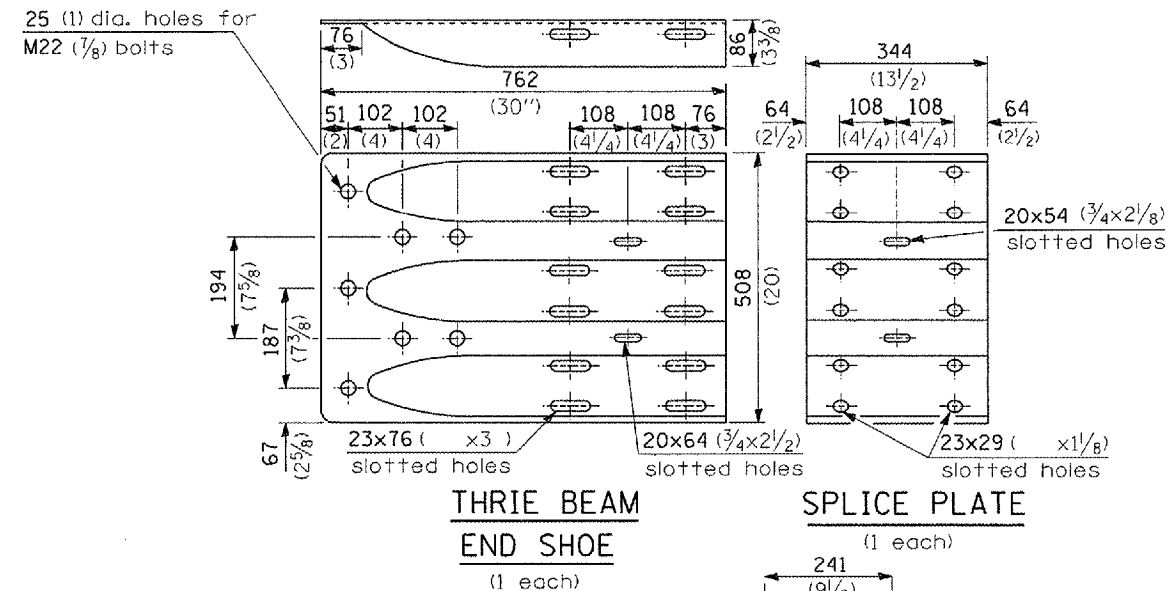
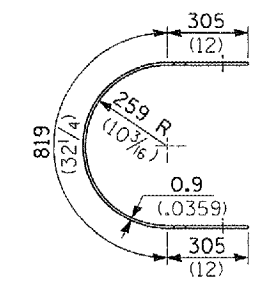
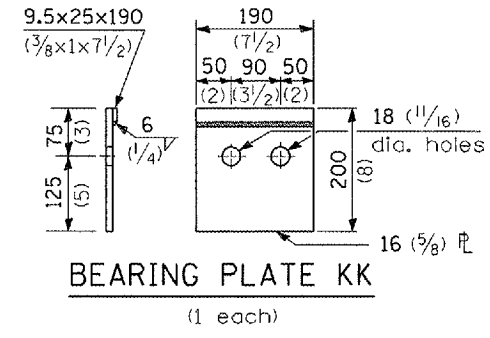


F. A. REF.	SECTION	COUNTY	TOTAL SHEETS	SHEET NO.
VAR.	*	VAR.	14	12
STA.		TO STA.		
FED. ROAD DIST. NO.		ILLINOIS		FED. AID PROJECT
* D-3 HIGHWAY DAMAGE REPAIR 2005				
CONTRACT #66660				

TYPE 3A ONLY

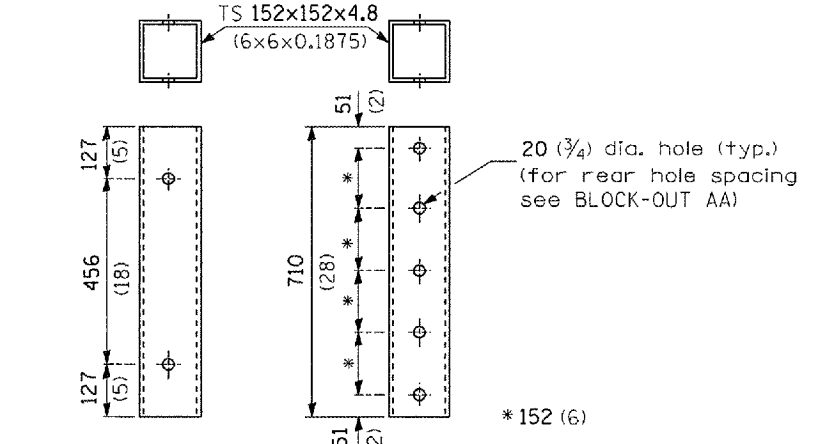
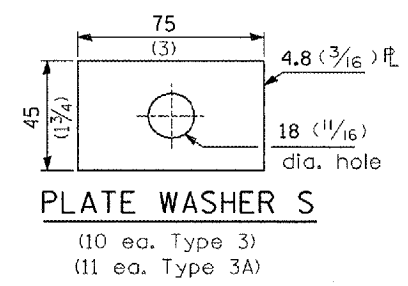


TYPE 3 & 3A



STEEL TUBE
 TS 203x203x4.8 (8x8x0.1875) (end terminal post) (1 ea.)
 TS 203x152x4.8 (8x6x0.1875) (terminal post) (4 ea. Type 3) (5 ea. Type 3A)

ALTERNATE SOIL PLATE CONNECTION



DETAIL INCLUDED FOR REPAIR ONLY

All dimensions are in millimeters (inches) unless otherwise shown.

REVISIONS	
NAME	DATE

ILLINOIS DEPARTMENT OF TRANSPORTATION
TRAFFIC BARRIER TERMINAL TYPE 3 & 3A