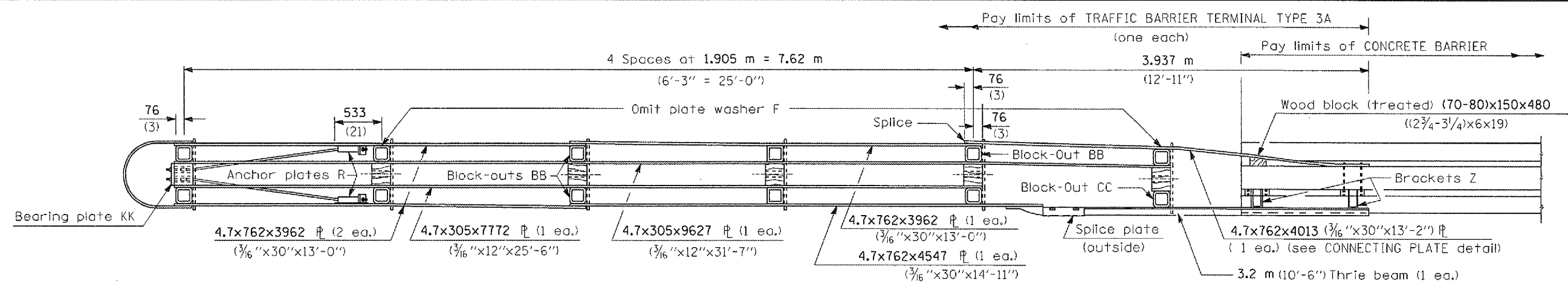
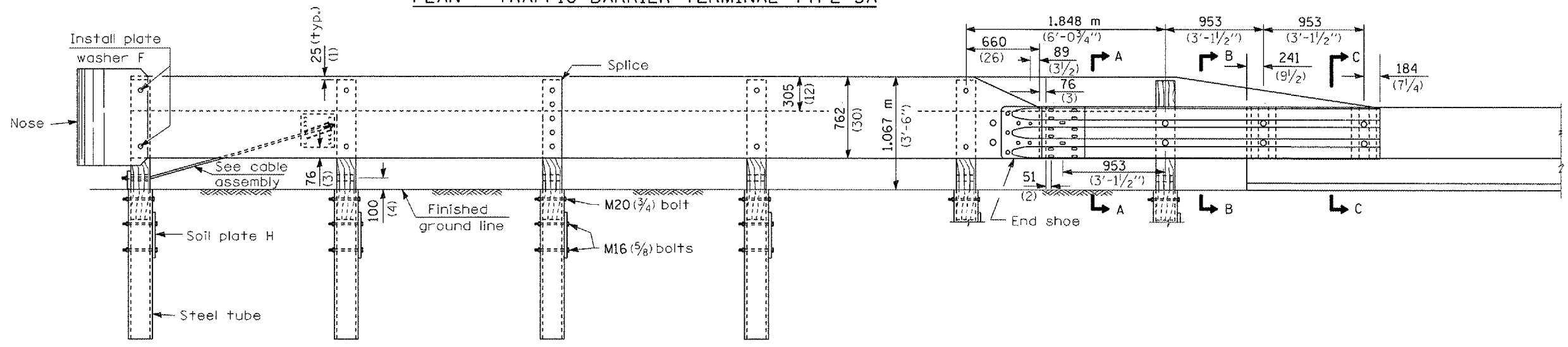


F. & A. REF.	SECTION	COUNTY	TOTAL SHEETS	SHEET NO.
VAR.	#	VAR.	14	11
STA.		TO STA.		
FED. ROAD DIST. NO.	ILLINOIS	FED. AID PROJECT		

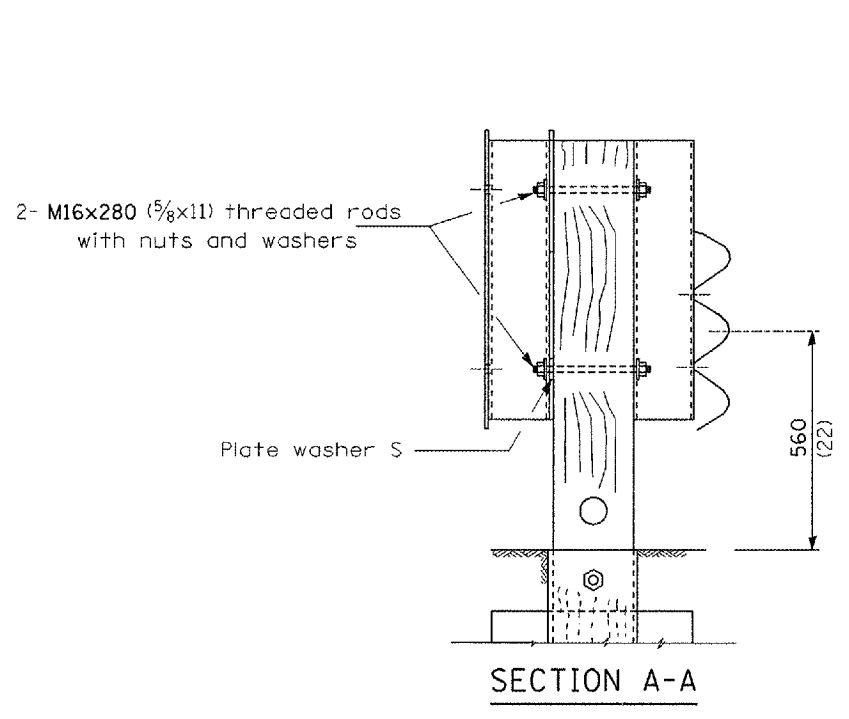
D-3 HIGHWAY DAMAGE REPAIR 2005  
CONTRACT #66660



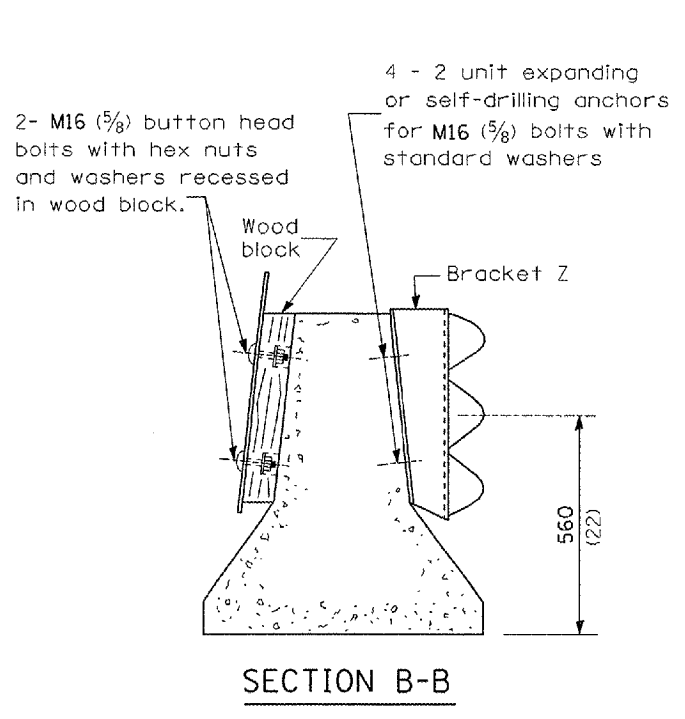
PLAN - TRAFFIC BARRIER TERMINAL TYPE 3A



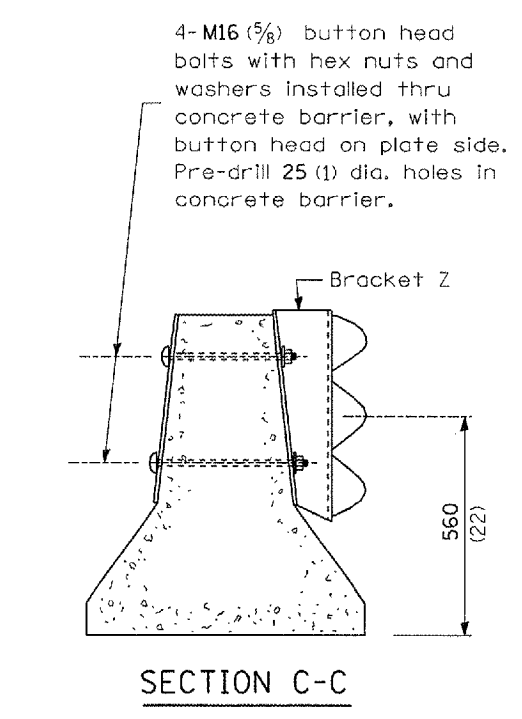
ELEVATION



SECTION A-A



SECTION B-B



SECTION C-C

**DETAIL INCLUDED FOR REPAIR ONLY**

All dimensions are in millimeters (inches) unless otherwise shown.

REVISIONS	
NAME	DATE

ILLINOIS DEPARTMENT OF TRANSPORTATION  
**TRAFFIC BARRIER TERMINAL TYPE 3 & 3A**

3/31/2005 c:\pro\sects\ec00605\ver011.s.dgn