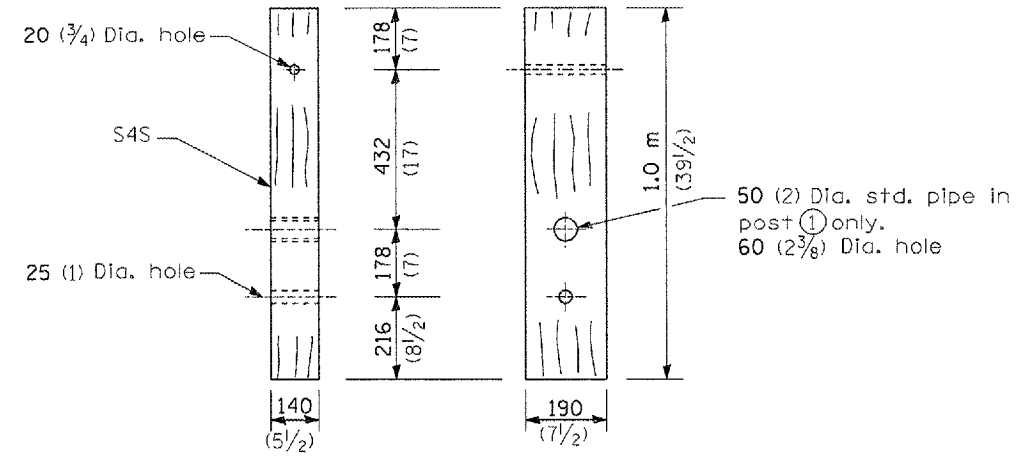
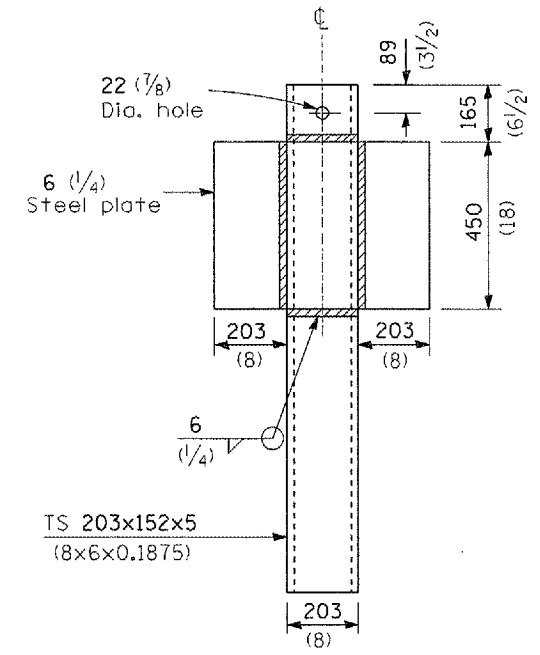


F.A. RFL.	SECTION	COUNTY	TOTAL SHEETS	SHEET NO.
VAR.	*	VAR.	14	9
STA.	TO STA.			
FED. ROAD DIST. NO.	ILLINOIS	FED. AID PROJECT		

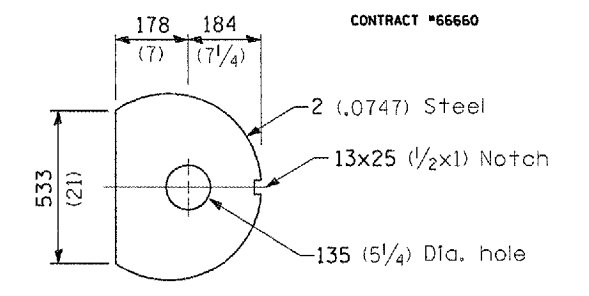
D-3 HIGHWAY DAMAGE REPAIR 2005
CONTRACT #66660



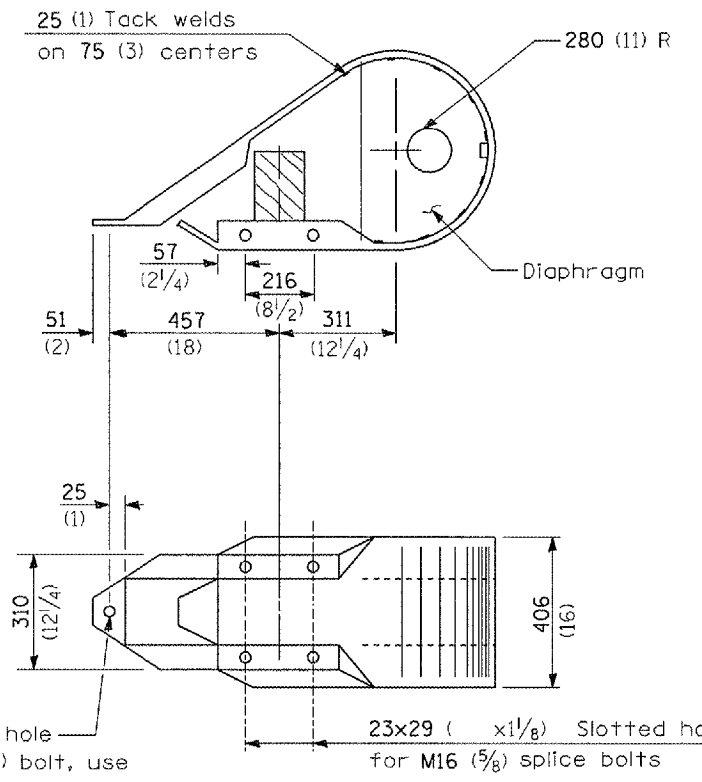
WOOD BREAKAWAY POST
(2 ea.)



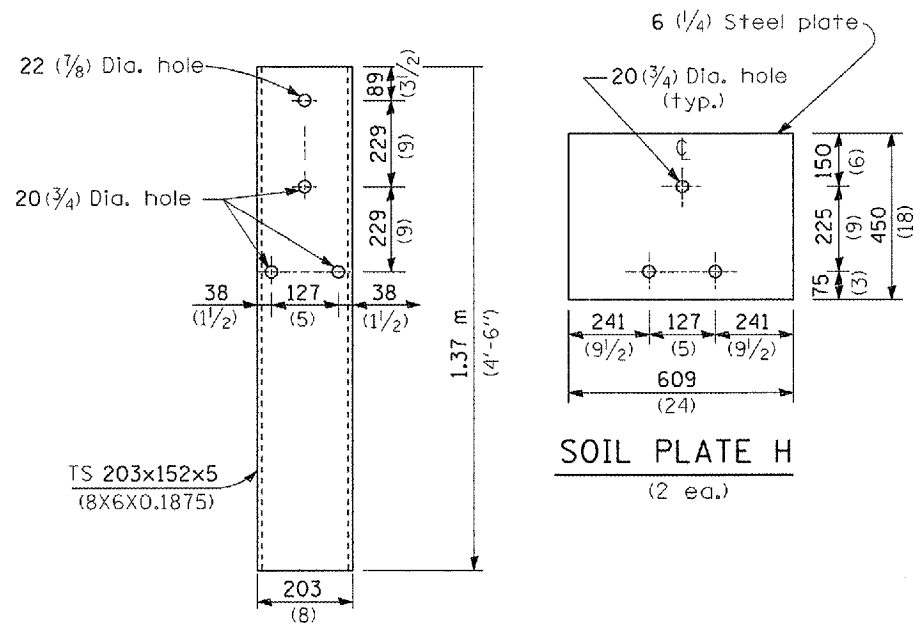
ALTERNATE SOIL PLATE CONNECTION



DIAPHRAGM
(2 ea.)

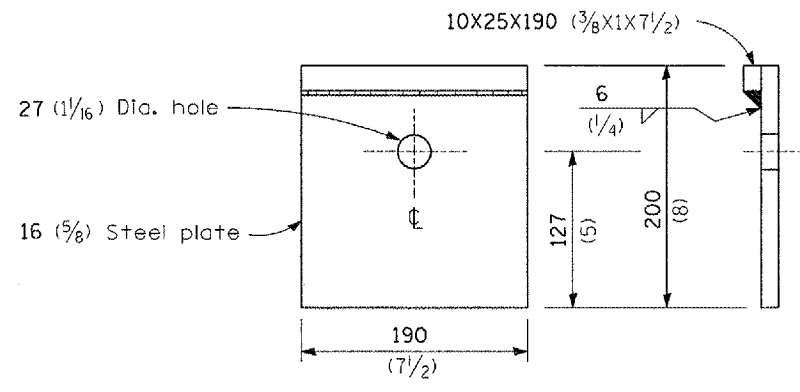


NOSE
(1 ea.)



STEEL TUBE
(2 ea.)

SOIL PLATE H
(2 ea.)



BEARING PLATE K
(1 ea.)

20 (3/4) Dia. hole for M15 (5/8) bolt, use plate Washer F under head and nut at this bolt only.
23x29 (x1/8) Slotted holes for M16 (5/8) splice bolts

All dimensions are in millimeters (inches) unless otherwise shown.

DETAIL INCLUDED FOR REPAIR ONLY

REVISIONS	
NAME	DATE

ILLINOIS DEPARTMENT OF TRANSPORTATION
TRAFFIC BARRIER TERMINAL TYPE 1
STANDARD B.L.R. 23

3/31/2005 c:\pco\lects\ed00605\defa11.s.dgn