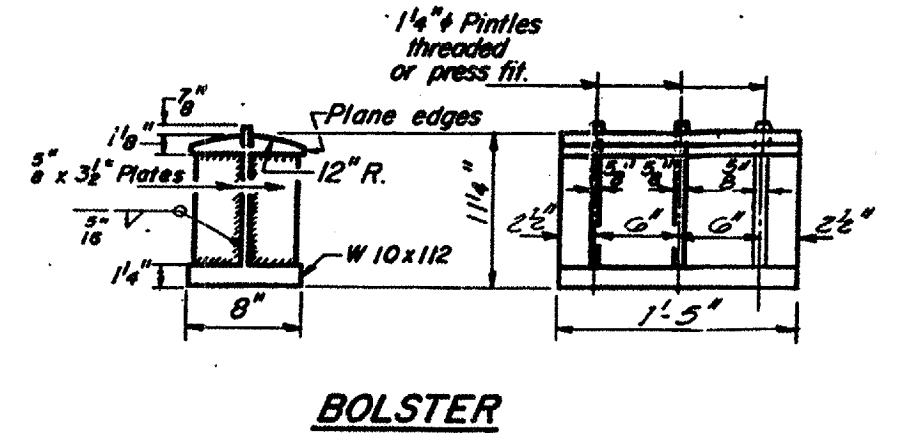
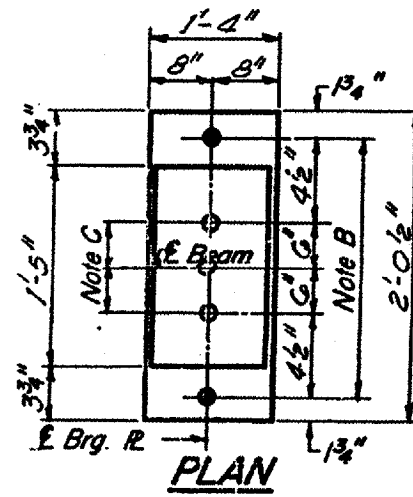
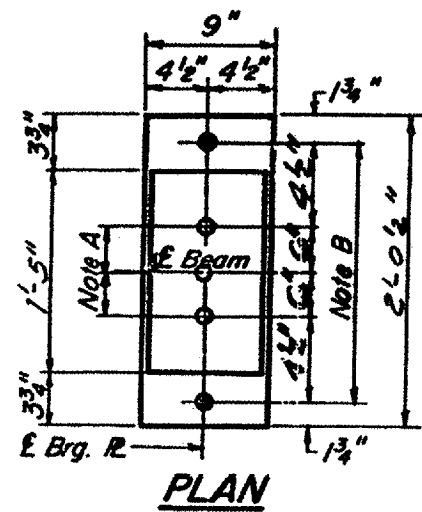
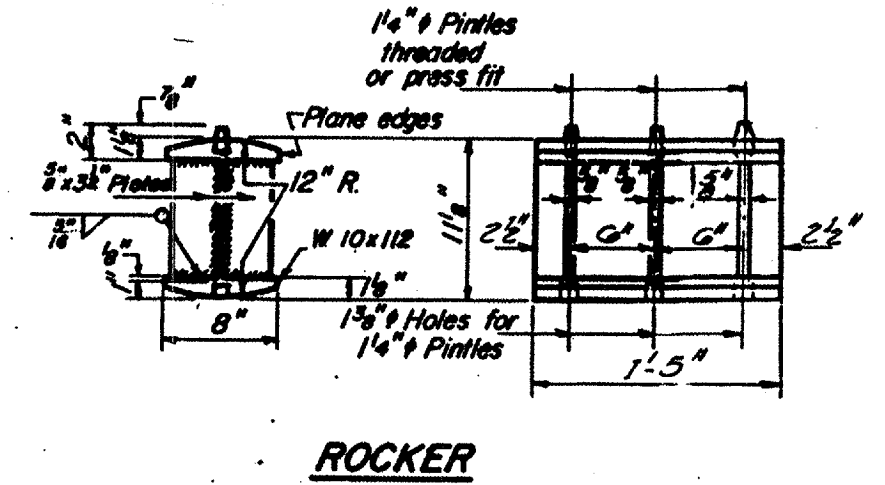
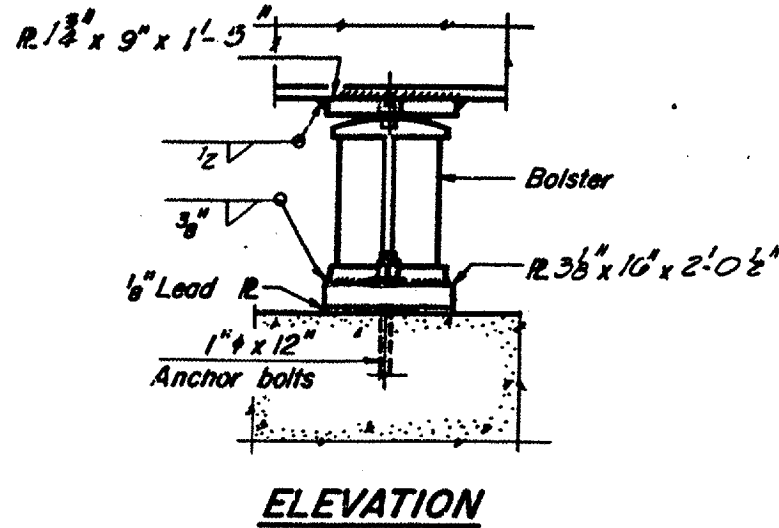
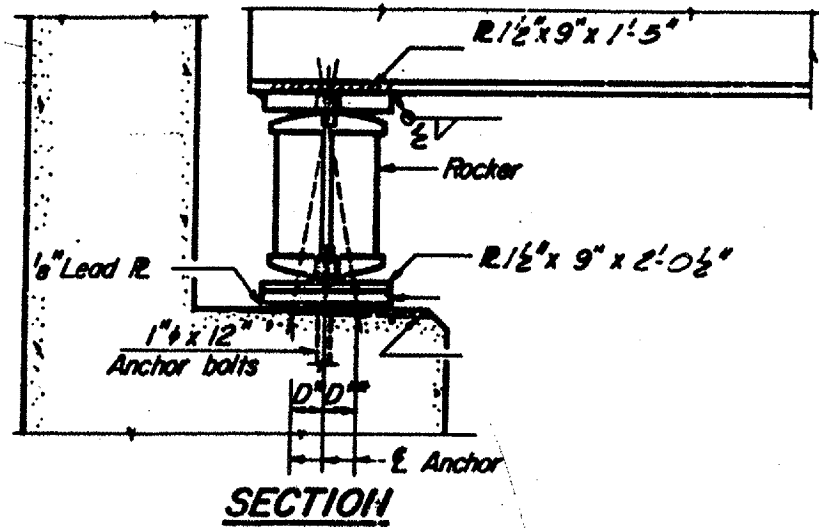


ROUTES	SECTION	COUNTY	TOTAL SHEETS	SHEET NO.
FAL 55 & FAP 673	D-3 BRIDGE PAINTING 2005-2	LIVINGSTON	17	9
ILLINOIS				



AT ABUTMENT
No. req'd 8

AT PIER
No. Req'd. 4

REVISIONS	
NAME	DATE

ILLINOIS DEPARTMENT OF TRANSPORTATION
EXISTING STRUCTURE
LOCATION #1
S.N. 053-0135

FOR INFORMATION ONLY