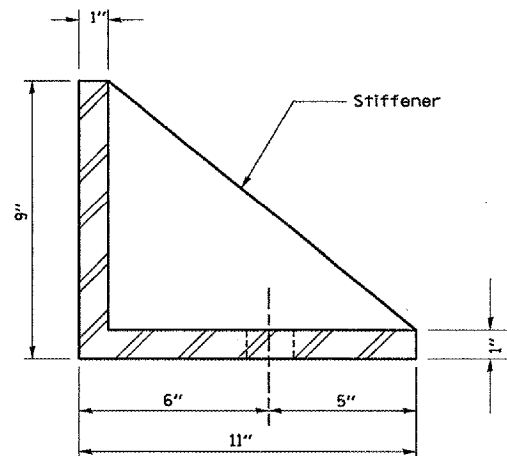
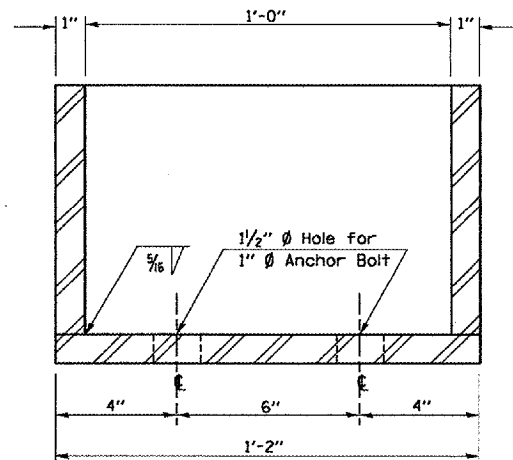


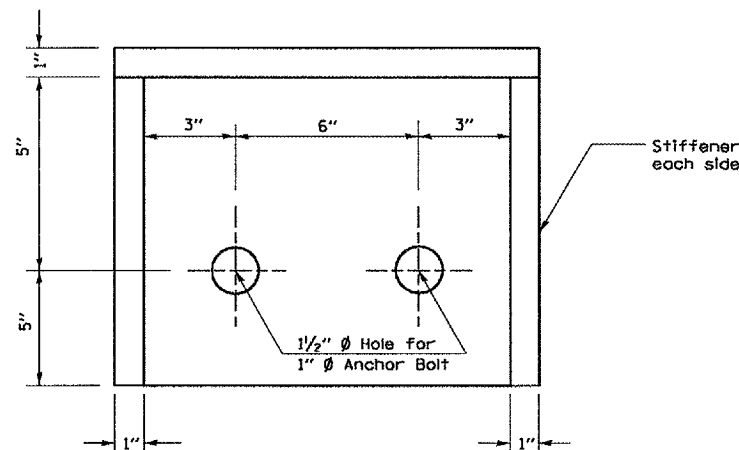
F.A.I. RTE.	SECTION	COUNTY	TOTAL SHEETS	SHEET NO.
412	(50-GVB)I-2	LASALLE	25	18
FED. ROAD DIST. NO.	ILLINOIS	STATE AID PROJECT		



SIDE VIEW



FRONT VIEW

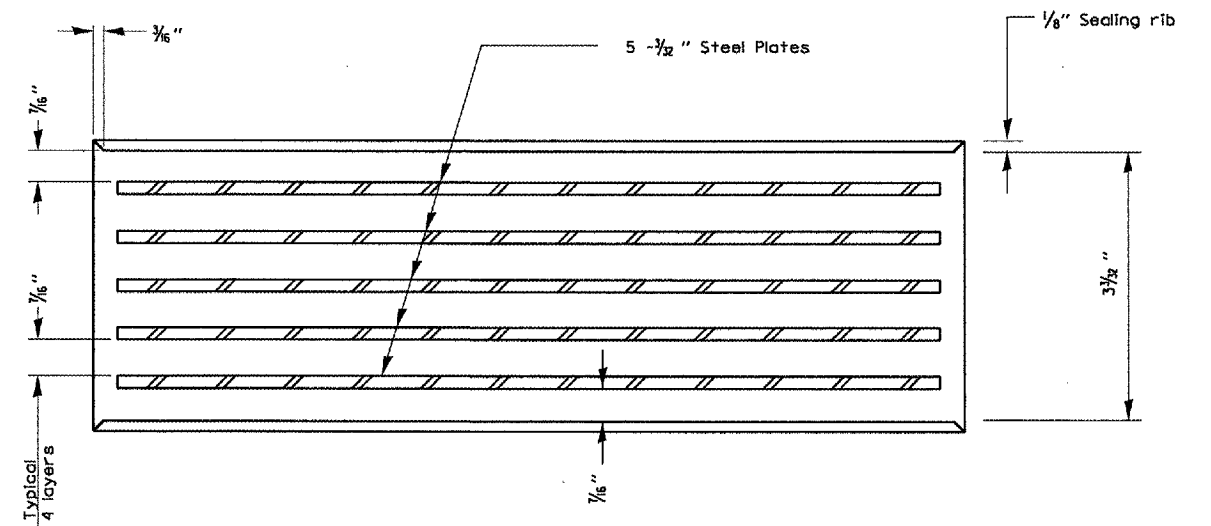


PLAN VIEW

The cost of side retainers and anchor bolts is included with Elastomeric Bearing Assembly Type I.

BRACKET DETAIL

11" X 9" X 1" X 1'-2"
24 REQUIRED



ELASTOMERIC BEARING PAD

3 3/32" X 8 3/4" X 1'-2"
12 REQUIRED

BILL OF MATERIAL

Item	Unit	Total
Elastomeric Bearing Assembly Type I	Each	24

REVISIONS	
NAME	DATE

ILLINOIS DEPARTMENT OF TRANSPORTATION
BEARING REPLACEMENT DETAILS
 S.N. 050-0168 (NB)
 F.A.I. 412 OVER C. & N.W. RAILROAD
 SECTION (50-GVB)I-1
 STA. 1429 + 12.74

MARCH 21, 2005
 C:\PROJECTS\CMA IN06\CM30\DETAILS.DGN