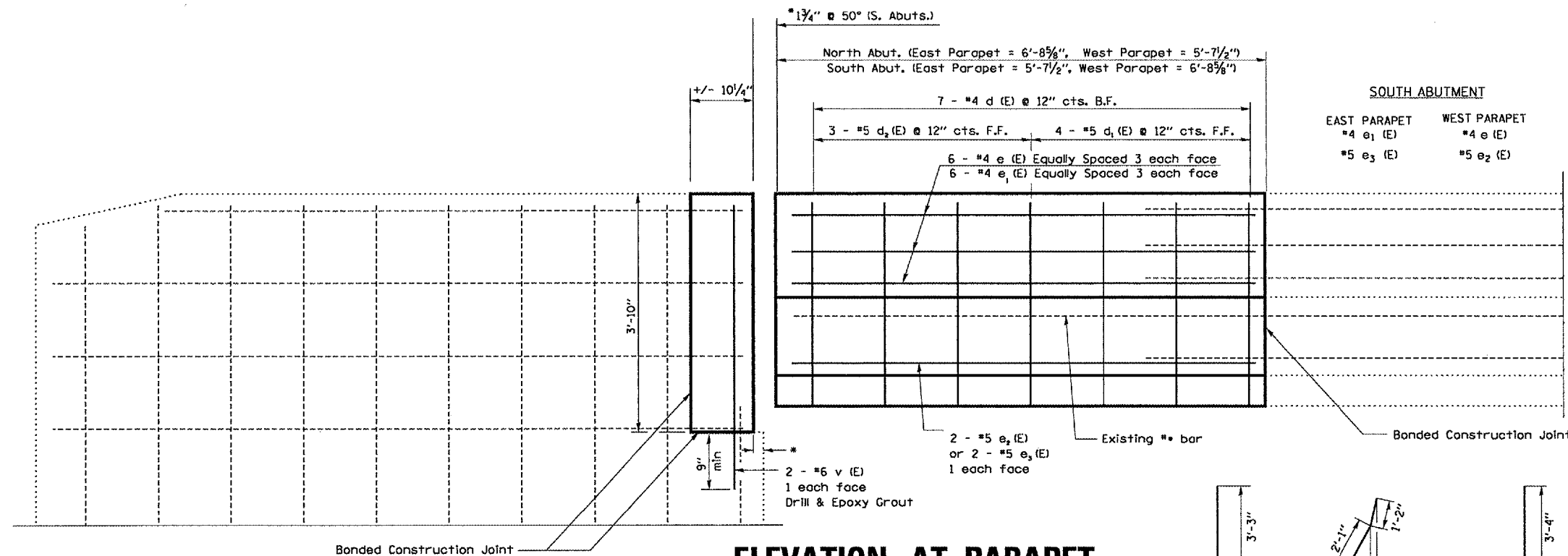


F.A.I. RTE.	SECTION	COUNTY	TOTAL SHEETS	SHEET NO.
412	(50-GVB)I-2	LASALLE	25	12
FED. ROAD DIST. NO. ILLINOIS		STATE AID PROJECT		



ELEVATION AT PARAPET

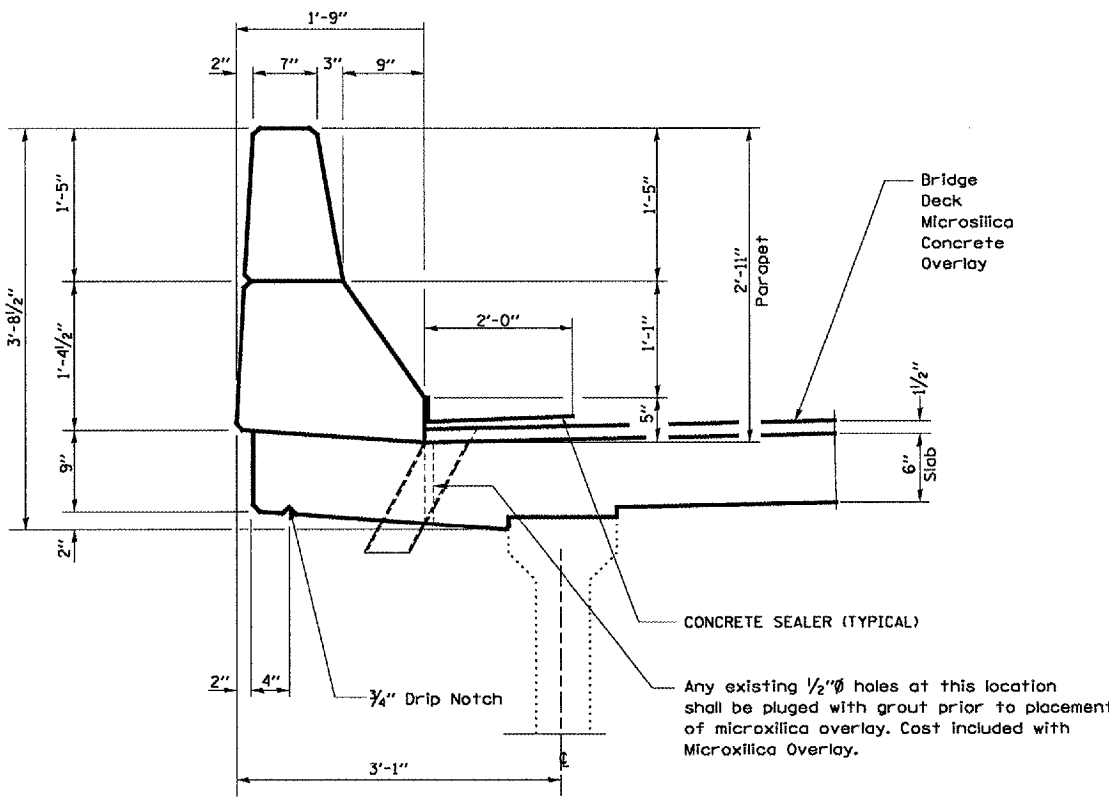
**SUPERSTRUCTURE
 BILL OF MATERIAL
 FOR SN 050-0168 @
 SOUTH ABUTMENT**

Bar	No.	Size	Length	Shape
a (E)	42	6	8'-2"	—
a ₁ (E)	12	7	25'-2"	—
a ₂ (E)	50	6	8'-6"	—
a ₃ (E)	18	6	4'-0"	—
b (E)	96	5	5'-10"	—
d (E)	14	4	5'-3"	J
d ₁ (E)	8	5	3'-9"	J
d ₂ (E)	6	5	4'-10"	J
e (E)	6	4	6'-4"	—
e ₁ (E)	6	4	5'-4"	—
e ₂ (E)	2	5	6'-4"	—
e ₃ (E)	2	5	5'-4"	—
h (E)	10	5	24'-4"	—
x (E)	65	6	8'-1"	□
v (E)	50	4	2'-7"	—
v ₁ (E)	4	6	4'-5"	—
Reinforcement Bars, Epoxy Coated		Pound	3800	
Concrete Superstructure		Cu. Yds.	16.4	

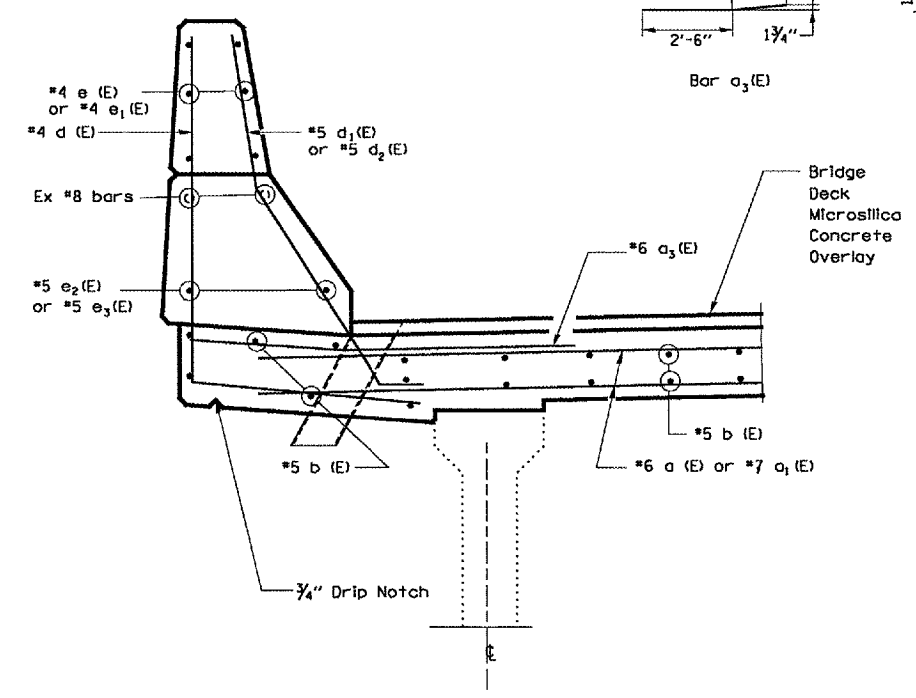
Reinforcement bars designated (E) shall be epoxy coated.

Minimum Bar Lap

- #4 1'-8"
- #5 2'-0"
- #6 2'-7"
- #7 3'-5"
- #8 4'-6"



**SECTION AT PARAPET
 DIMENSIONS**



**SECTION AT PARAPET
 REINFORCEMENT**

REVISIONS	
NAME	DATE

ILLINOIS DEPARTMENT OF TRANSPORTATION
PARAPET RECONSTRUCTION
 SOUTH ABUTMENT
 S.N. 050-0168 (NB)
 F.A.I. 412 OVER C. & N.W. RAILROAD
 SECTION (50-6VB)I-1
 STA. 1429 +12.74

MARCH 21, 2005 C:\PROJECTS\CMA IN06\CM30\DETAILS.DGN