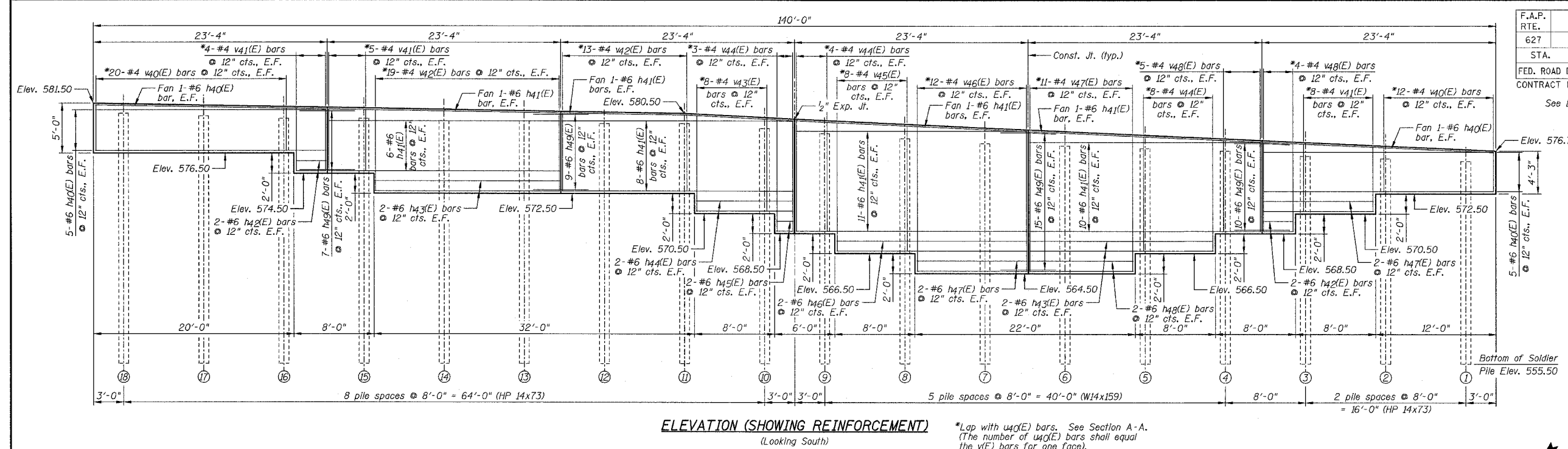
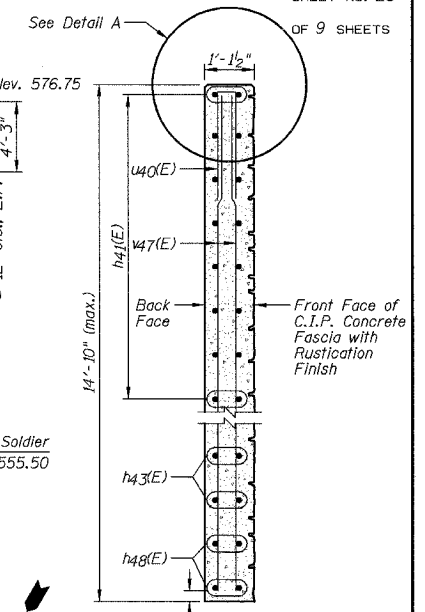


F.A.P. RTE. 627	SECTION (1-11-1)	COUNTY LA SALLE	TOTAL SHEETS 60	SHEET NO. 43
STA.	TO STA.		ILLINOIS FED. AID PROJECT	
FED. ROAD DIST. NO.	CONTRACT NO. 66550		SHEET NO. E3 OF 9 SHEETS	



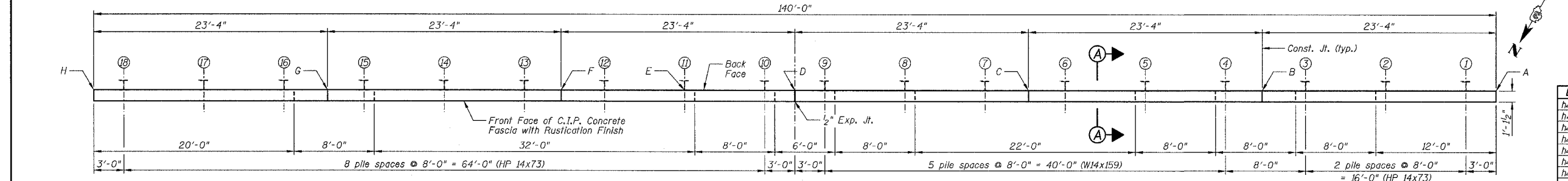
ELEVATION (SHOWING REINFORCEMENT)
(Looking South)

*Lap with u40(E) bars. See Section A-A.
(The number of u40(E) bars shall equal the v(E) bars for one face.)



SECTION A-A

Note: Clearances are typical at all wall sections.



PLAN

BILL OF MATERIALS

Bar	No.	Size	Length	Shape
h40(E)	24	#6	23'-0"	
h41(E)	78	#6	23'-2"	
h42(E)	8	#6	3'-0"	
h43(E)	8	#6	18'-4"	
h44(E)	4	#6	9'-8"	
h45(E)	4	#6	1'-8"	
h46(E)	4	#6	19'-0"	
h47(E)	8	#6	11'-0"	
h48(E)	4	#6	10'-4"	
h49(E)	82	#6	5'-6"	
u40(E)	144	#4	5'-6"	
v40(E)	64	#4	3'-10"	
v41(E)	34	#4	6'-1"	
v42(E)	64	#4	7'-7"	
v43(E)	16	#4	9'-2"	
v44(E)	30	#4	10'-10"	
v45(E)	16	#4	12'-6"	
v46(E)	24	#4	14'-0"	
v47(E)	22	#4	13'-6"	
v48(E)	18	#4	8'-9"	
Item	Unit	Quantity		
Concrete Structures	Cu. Yds.	52.5		
Stud Shear Connectors	Each	220		
Furnishing Soldier Piles (HP 14x73)	Foot	280		
Furnishing Soldier Piles (W14x159)	Foot	132		
Reinforcement Bars, Epoxy Coated	Pound	6980		

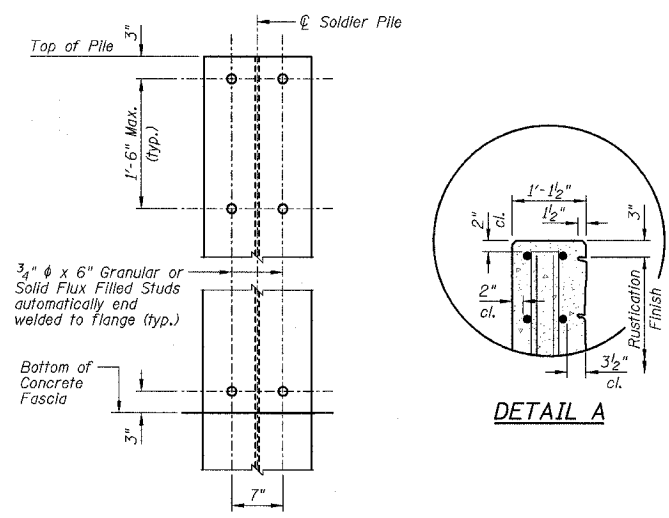
WALL INFORMATION CHART

Reference Points	Location at Wall	Station to Back Face of Wall	Offset to Back Face of Wall	Wall Height
A	Begin Wall	403+94.31	23.12' LT.	4'-3"
B	Const. Jt.	404+17.25	23.34' LT.	11'-6"
C	Const. Jt.	404+40.19	23.94' LT.	14'-9 3/4"
D	Exp. Jt.	404+63.09	24.93' LT.	9'-5 1/2" / 11'-5 1/2"
E	Break Point	404+73.88	25.54' LT.	8'-0"
F	Const. Jt.	404+85.96	26.31' LT.	8'-0 1/2"
G	Const. Jt.	405+08.77	28.08' LT.	8'-6 1/4"
H	End Wall	405+31.53	30.23' LT.	5'-0"

Note: See Plan for Reference Point locations.

STEEL SOLDIER PILE INFORMATION CHART

Pile No.	Station	Offset to Ctr. of Pile	Pile Section	Top of Pile Elevation	Bottom of Pile Elevation	Pile Length	No. of Stud Shear Connectors	Top of Class SI Encasement Elevation
1	403+97.26	22.68' LT.	HP 14x73	575.75	555.50	20'-3"	6	572.50
2	404+05.13	22.72' LT.	HP 14x73	576.00	555.50	20'-6"	6	570.50
3	404+13.00	22.81' LT.	HP 14x73	576.25	555.50	20'-9"	10	568.50
4	404+20.87	22.95' LT.	W14x159	576.75	555.50	21'-3"	14	566.50
5	404+28.73	23.14' LT.	W14x159	577.00	555.50	21'-6"	16	564.50
6	404+36.60	23.37' LT.	W14x159	577.25	555.50	21'-9"	20	564.50
7	404+44.46	23.64' LT.	W14x159	577.50	555.50	22'-0"	20	564.50
8	404+52.32	23.96' LT.	W14x159	578.00	555.50	22'-6"	18	564.50
9	404+60.17	24.33' LT.	W14x159	578.50	555.50	23'-0"	16	566.50
10	404+66.06	24.64' LT.	HP 14x73	579.00	555.50	23'-6"	14	568.50
11	404+73.90	25.08' LT.	HP 14x73	579.50	555.50	24'-0"	12	570.50
12	404+81.74	25.57' LT.	HP 14x73	579.50	555.50	24'-0"	12	572.50
13	404+89.58	26.11' LT.	HP 14x73	579.75	555.50	24'-3"	12	572.50
14	404+97.41	26.69' LT.	HP 14x73	579.75	555.50	24'-3"	12	572.50
15	405+05.23	27.32' LT.	HP 14x73	580.00	555.50	24'-6"	10	572.50
16	405+13.04	28.00' LT.	HP 14x73	580.00	555.50	24'-6"	6	574.50
17	405+20.85	28.71' LT.	HP 14x73	580.25	555.50	24'-9"	8	576.50
18	405+28.65	29.48' LT.	HP 14x73	580.50	555.50	25'-0"	8	576.50



STUD SHEAR CONNECTORS LAYOUT

u40(E) BAR

NOTES:

- 1.) Work this sheet with Sheets E1, E2 and E4.
- 2.) E.F. denotes Each Face.
- 3.) For "Rustication Finish" details see Sheet E4.
- 4.) Reinforcement bars designated (E) shall be epoxy coated.
- 5.) Minimum lap length: #4 bar = 1'-8"; #6 bar = 2'-7".
- 6.) See Sheet E2 for Construction Joint Detail and Expansion Joint Detail.
- 7.) The u40(E) bars shall maintain a 2" clearance from the top of the wall, therefore adjust u40(E) bars accordingly (maintain 1'-8" min. lap with v(E) bars).

WALL REINFORCEMENT AND SOLDIER PILE INFORMATION
IL ROUTE 71
SOLDIER PILE RETAINING WALL
F.A.P. ROUTE 627 - SEC. (1-11-1)
LA SALLE COUNTY
STATION 403+94.31 TO STATION 405+31.53
STRUCTURE NO. 050-W002

DESIGNED BY: J.M.L.
 DRAWN BY: D.J.M.
 CHECKED BY: M.S.W.

Farnsworth GROUP
 3700 McGraw Drive
 Bloomington, Illinois 61704
 309/853-9436, 309/853-1871 fax

FILE NO. 24-6772
 DATE 03-24-05
 SHEET NO. 43 OF 60