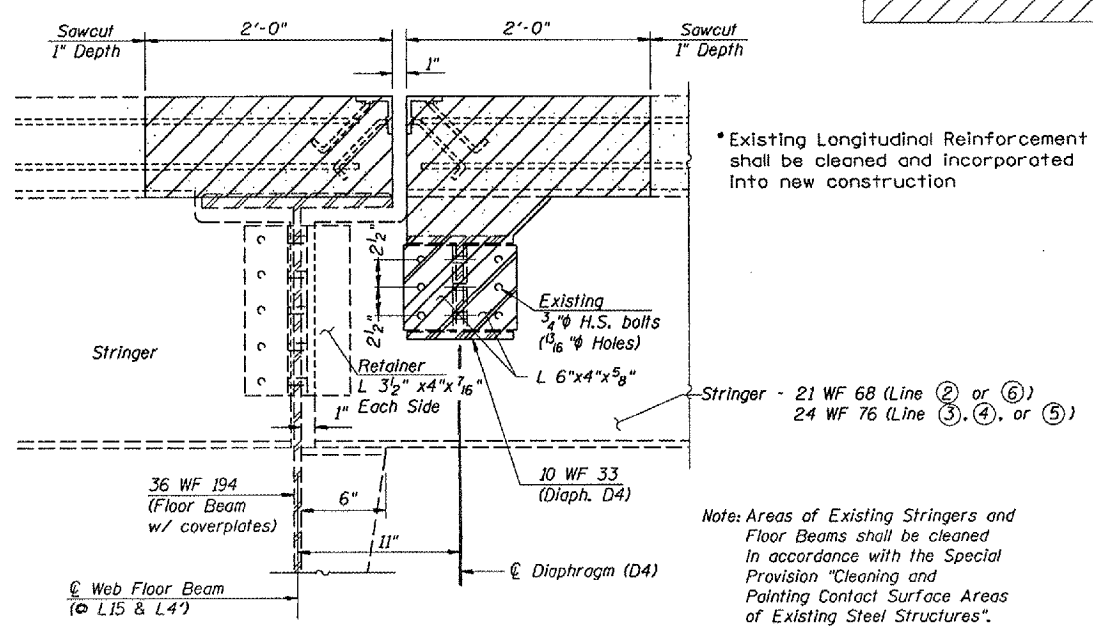
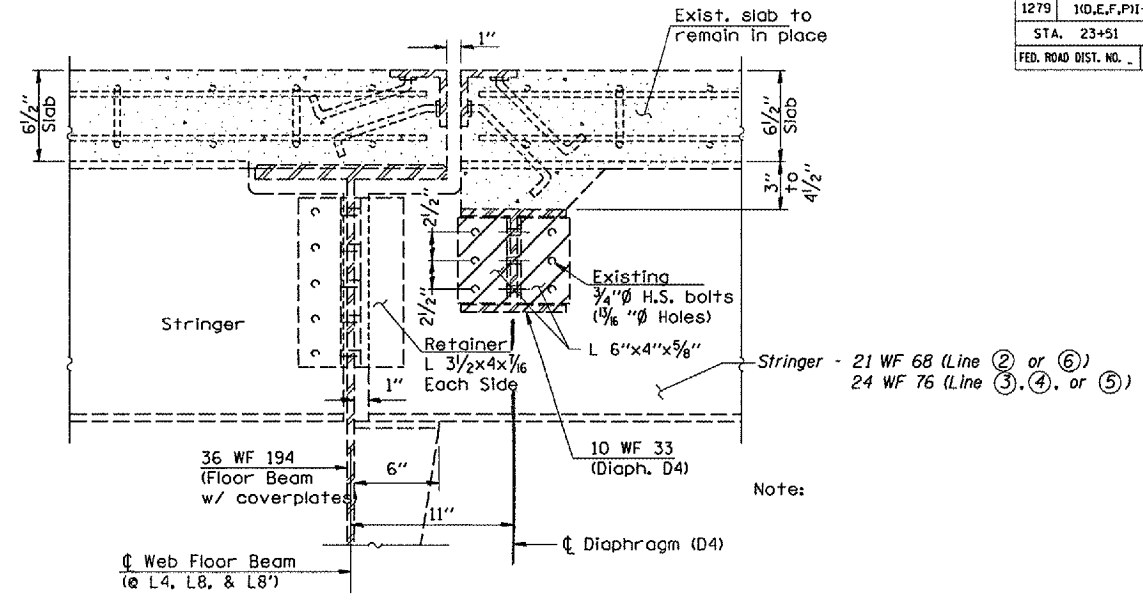


F.A.S. RTE.	SECTION	COUNTY	TOTAL SHEETS	SHEET NO.
1279	1(D,E,F,PI)-3	LASALLE	19	9
STA. 23+51		TO STA. 35+09		
FED. ROAD DIST. NO. ILLINOIS		NON-FED. AID PROJECT		

 HATCHED AREAS INDICATE REMOVAL



EXISTING 1" OPEN JOINT SECTION A-A
Looking West @ L15 & L4'

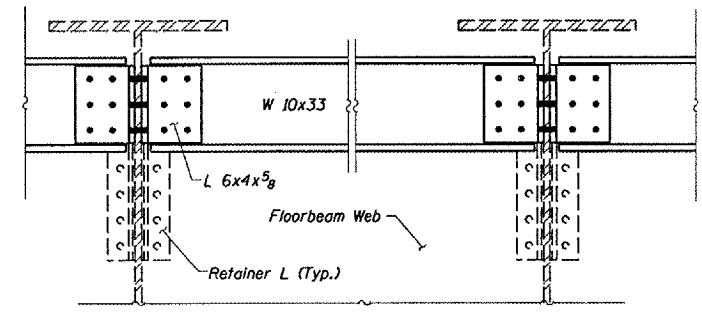


EXISTING JOINT SECTION B-B
Looking East @ L4 & L8
Looking West @ L8'

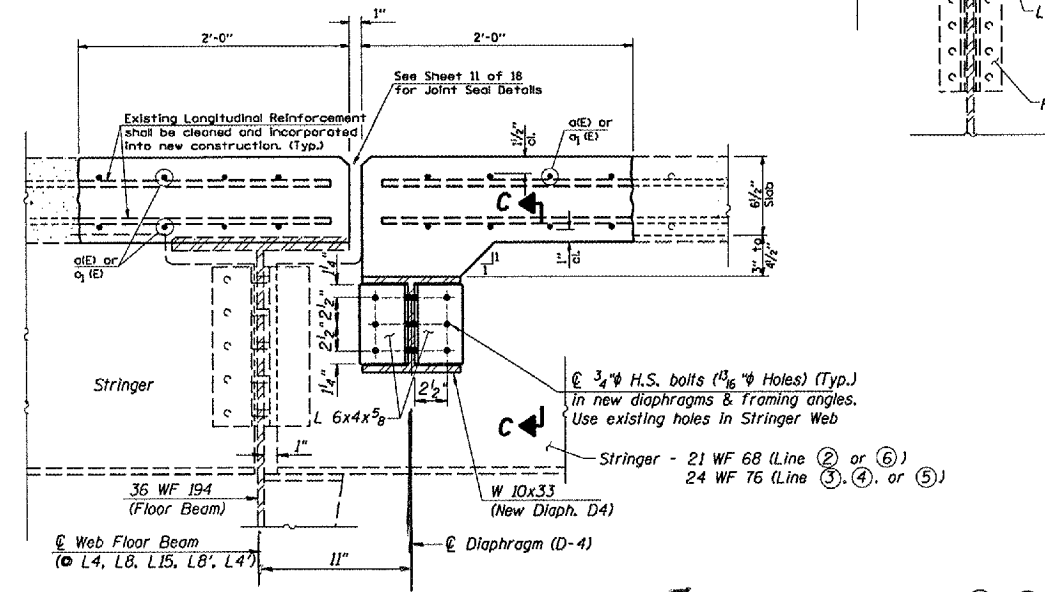
*Existing Longitudinal Reinforcement shall be cleaned and incorporated into new construction

Note: Areas of Existing Stringers and Floor Beams shall be cleaned in accordance with the Special Provision "Cleaning and Painting Contact Surface Areas of Existing Steel Structures".

Note:



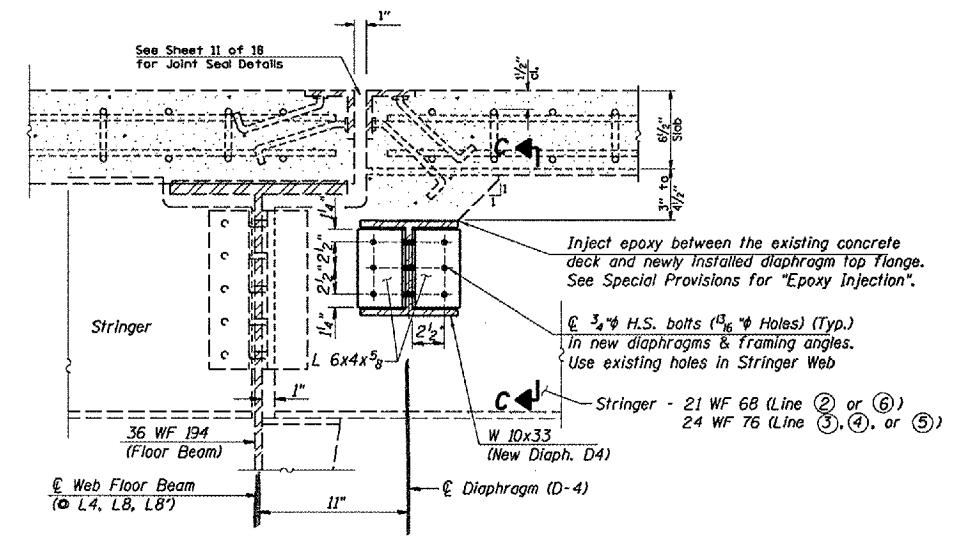
SECTION C-C



PROPOSED SECTION A-A
Looking West @ L15 & L4'

SEE SHEET 7 FOR REPAIRS TO STRINGERS ③ & ④

Note: Areas of Existing Stringers and Floor Beams shall be cleaned in accordance with the Special Provision "Cleaning and Painting Contact Surface Areas of Existing Steel Structures".



PROPOSED JOINT SECTION B-B
Looking East @ L4 & L8
Looking West @ L8'

REVISIONS	
NAME	DATE

ILLINOIS DEPARTMENT OF TRANSPORTATION
SECTIONS A & B
EXISTING S.N. 050-0088
IL 178 OVER ILLINOIS RIVER
STATION 29+30
SCALE: VERT. 1"=4'-0"
HORIZ. 1"=40'-0"
DATE 12/08/04
DRAWN BY RLW
CHECKED BY

cmain05/cm3267/detalls.dgn