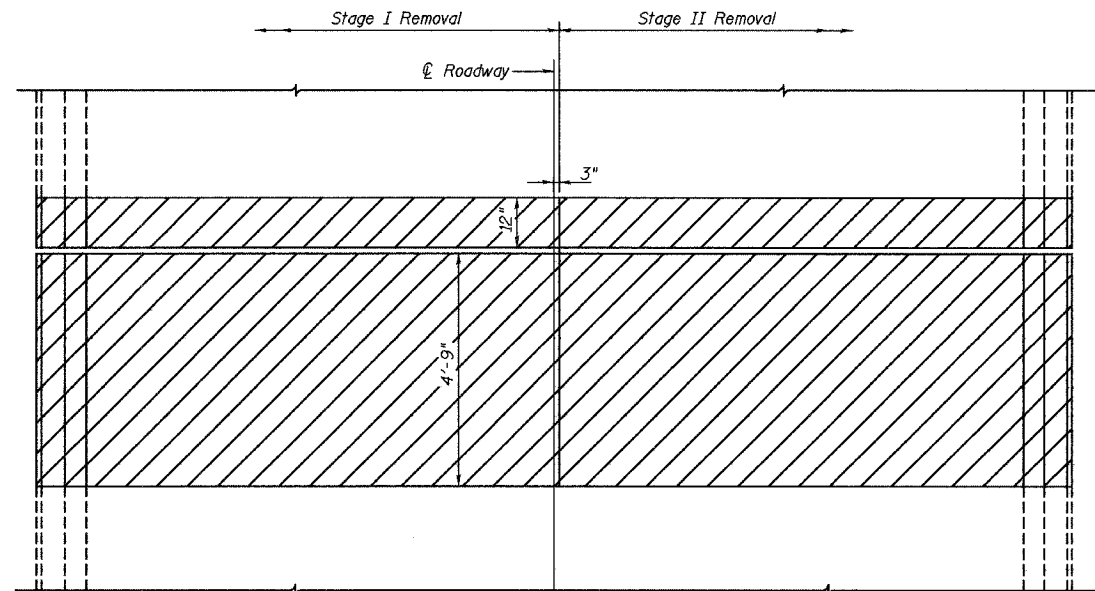


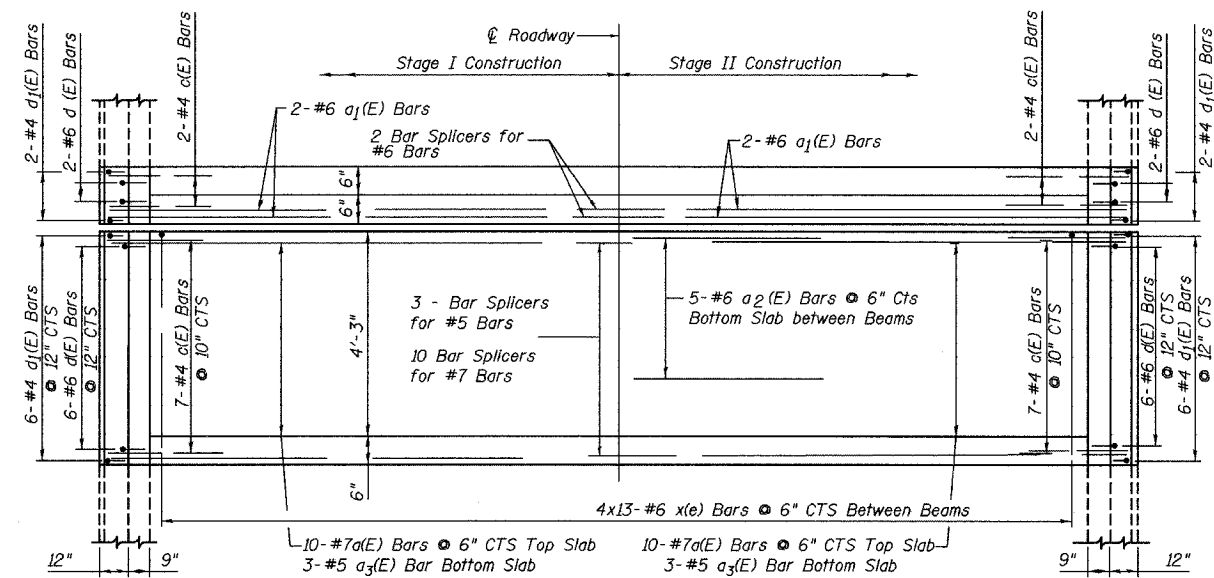
STATE OF ILLINOIS
DEPARTMENT OF TRANSPORTATION

ROUTE NO.	SECTION	COUNTY	TOTAL SHEETS	SHEET NO.	SHEET NO. 5
S.B.I.	#	Winnebago	36	22	9 SHEETS
F.A.P.					
FED. ROAD DIST. NO. 7	ILLINOIS	FED. AID PROJECT-			

*(5VB, 5HB, 1-2HB)M CONTRACT #64A88

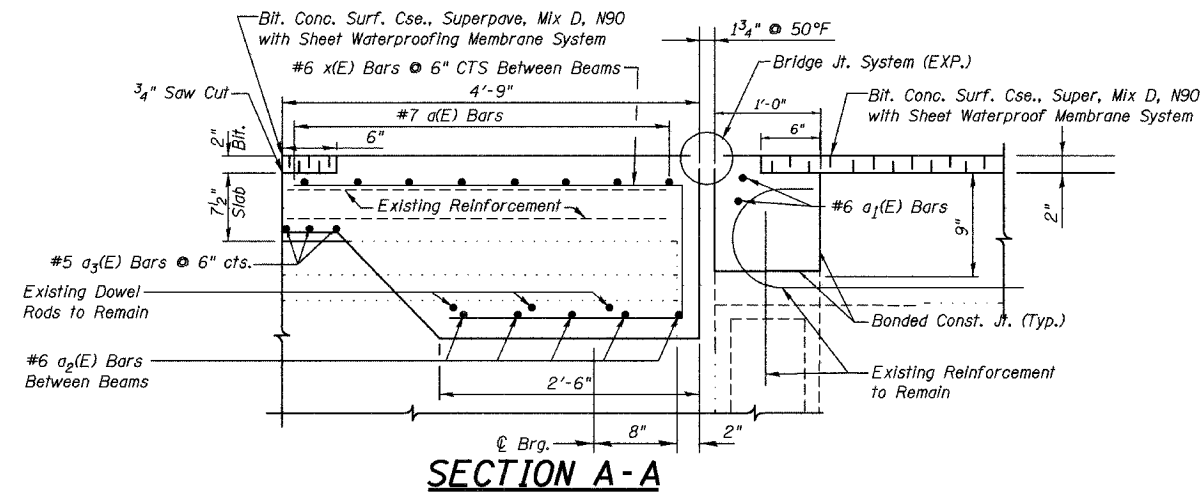


EXISTING PARTIAL PLAN

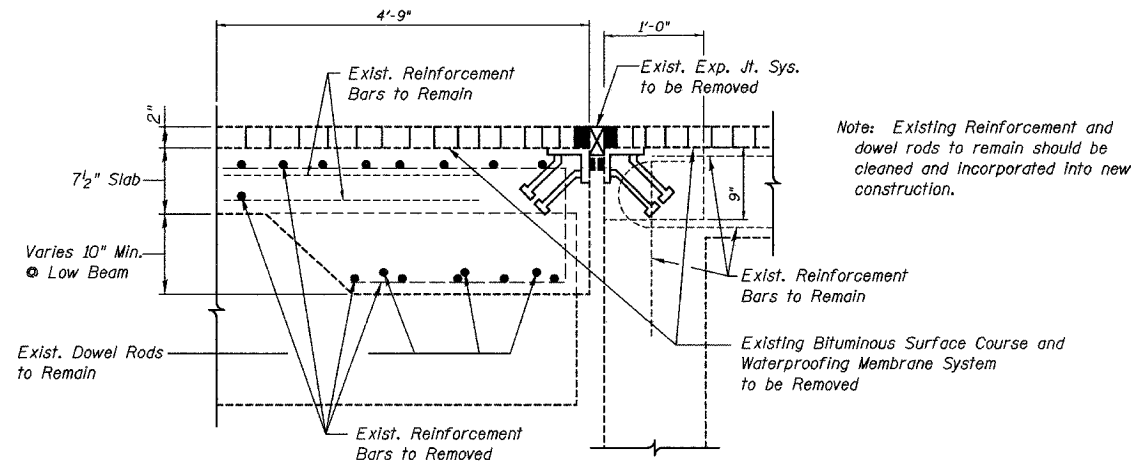


PROPOSED PARTIAL PLAN

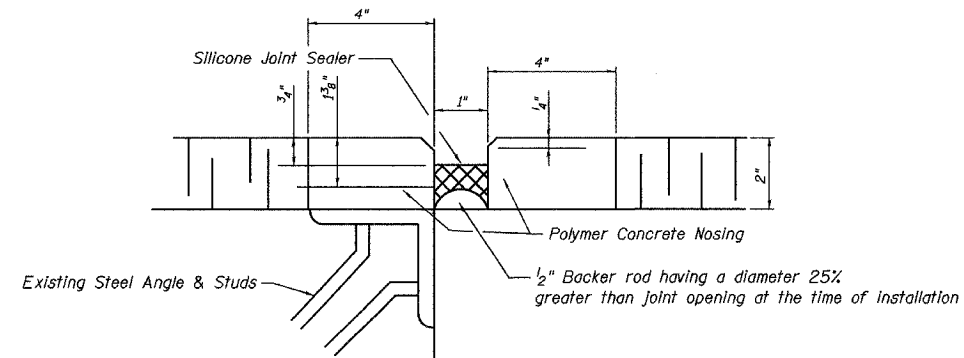
DESIGNED	SB, DP
CHECKED	SB
DRAWN	BH, BS
CHECKED	SB



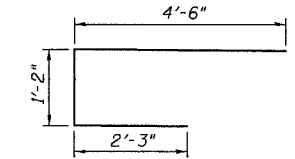
SECTION A-A



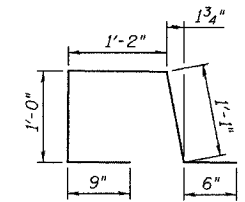
EXIST. SECTION THRU JOINTS



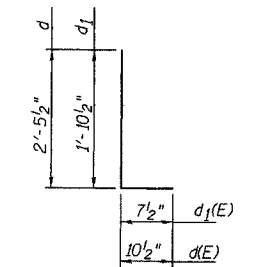
**SILICONE JOINT SEALER DETAIL
AT APPR. ABUT.**



#6 x(E) Bar



#4 c(E) Bar



**#6 d(E) Bar
#4 d1(E) Bar**

JOINT RECONSTRUCTION PLAN
F.A.P. Route 303 & F.A.P. Route 738
(IL 251) OVER Rockton Road
SECTION (5VB, 5HB, 1-2HB)M
WINNEBAGO COUNTY
SN 101-0031 & 101-0032