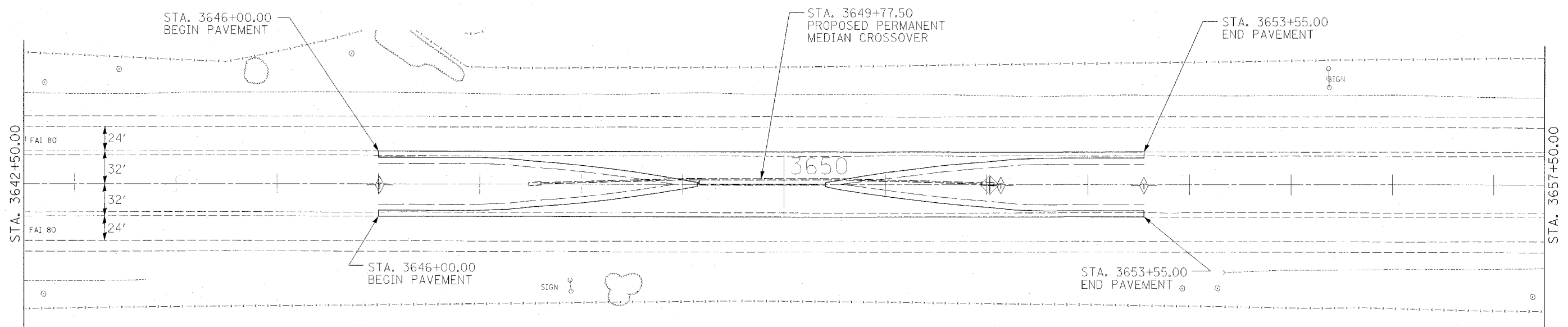
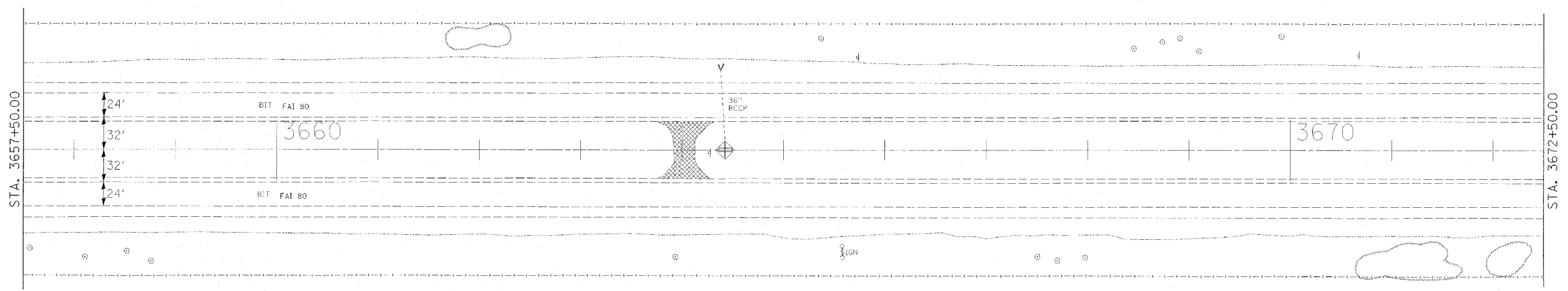
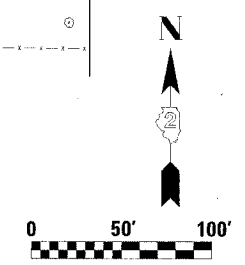


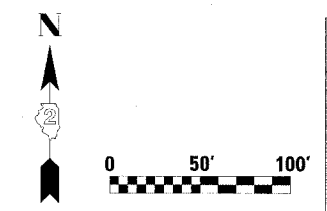
F.A.I. RTE.	SECTION	COUNTY	TOTAL SHEETS	SHEET NO.
80		BUREAU	60	17
STA. 3642+50.00		TO STA. 3672+50.00		
FED. ROAD DIST. NO. ILLINOIS FED. AID PROJECT				
* 06-5, 06-6, 06-7, 06 & 50-8M				



- TEMPORARY DITCH CHECKS
- INLET & PIPE PROTECTION
- TO BE REMOVED



- TEMPORARY DITCH CHECKS
- INLET & PIPE PROTECTION
- TO BE REMOVED



REVISIONS	
NAME	DATE

ILLINOIS DEPARTMENT OF TRANSPORTATION

CROSSOVER #4 CONSTRUCTION PLAN

SCALE: VERT. _____
HORIZ. _____

DATE _____

DRAWN BY SAM
CHECKED BY RJA

PLOT DATE = #DATE#
 FILE NAME = #FILE#
 PLOT SCALE = #SCALE#