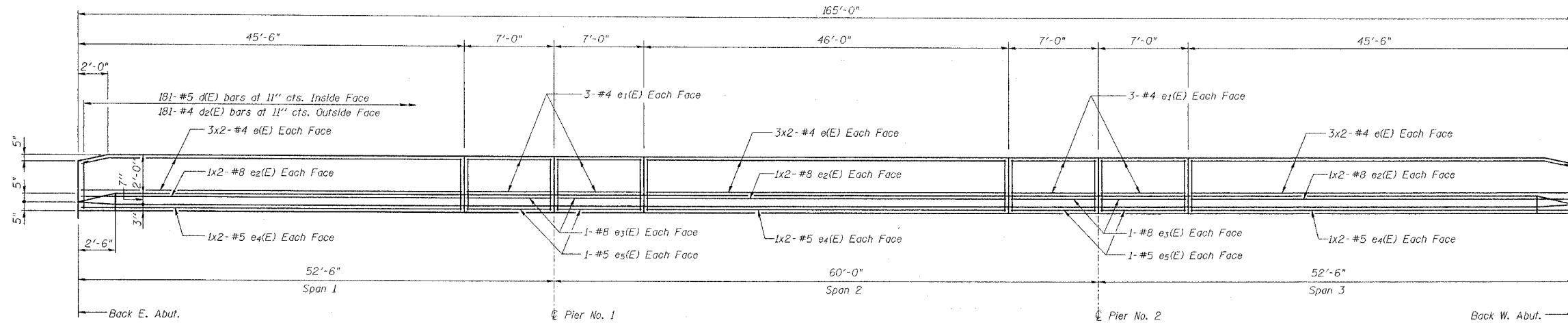


STATE OF ILLINOIS  
DEPARTMENT OF TRANSPORTATION

Sheet No. 6  
of 16 Sheets

ROUTE NO.	SECTION	COUNTY	TOTAL SHEETS	SHEET NO.
SBI 88	103C-BR	BUREAU	51	17
FED. ROAD DIST. NO.	ILLINOIS	PROJECT		
		CONTRACT #64423		



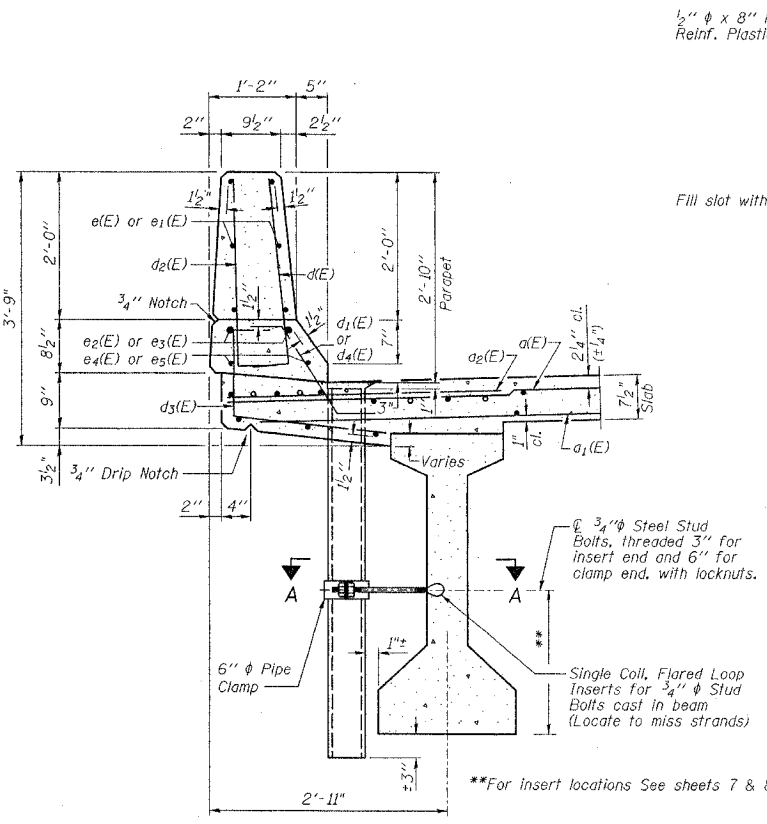
INSIDE ELEVATION OF PARAPET

MIN BAR LAP  
#4 bar = 1'-4"  
#5 bar = 1'-8"  
#8 bar = 3'-5"

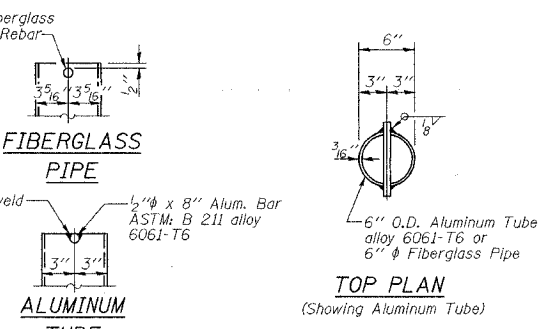
SUPERSTRUCTURE  
BILL OF MATERIAL

Bar	No.	Size	Length	Shape
a(E)	265	#5	30'-7"	—
a1(E)	199	#5	29'-11"	—
a2(E)	266	#6	4'-6"	—
b(E)	204	#5	29'-4"	—
b1(E)	62	#6	22'-3"	—
b2(E)	210	#5	25'-5"	—
d(E)	362	#5	3'-0"	—
d1(E)	350	#5	2'-5"	—
d2(E)	362	#4	3'-0"	—
d3(E)	362	#4	3'-8"	—
d4(E)	12	#5	2'-8"	—
e(E)	72	#4	23'-6"	—
e1(E)	48	#4	6'-9"	—
e2(E)	24	#8	24'-7"	—
e3(E)	16	#8	6'-9"	—
e4(E)	24	#5	23'-8"	—
e5(E)	16	#5	6'-9"	—
m(E)	4	#6	29'-6"	—
m1(E)	6	#6	30'-10"	—
m2(E)	20	#6	8'-5"	—
m3(E)	24	#6	4'-7"	—
m4(E)	4	#6	1'-11"	—
m5(E)	32	#4	5'-6"	—
m6(E)	10	#8	5'-6"	—
s1(E)	60	#5	4'-2"	—
s2(E)	52	#4	9'-10"	—
s3(E)	48	#4	9'-6"	—
v5(E)	62	#5	3'-3"	—
Reinforcement Bars, Epoxy Coated		Lbs.	40,180	
Concrete Superstructure		Cu. Yds.	196.2	
Bar Splicers		Each	56	

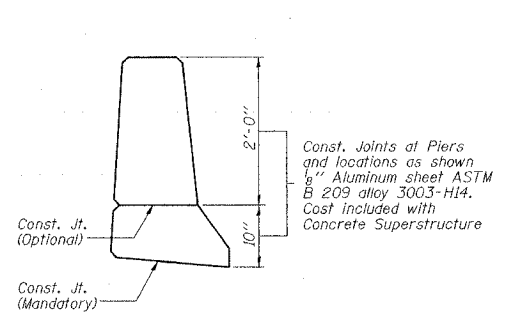
Reinforcement bars designated (E) shall be epoxy coated.  
Bars indicated thus 1x2-#5 etc. indicates 1 line of bars with 2 lengths per line.



SECTION THRU PARAPET

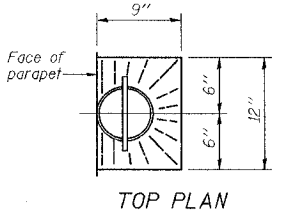


TOP PLAN (Showing Aluminum Tube)

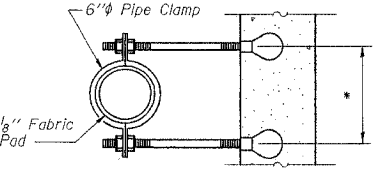


PARAPET JOINT DETAILS

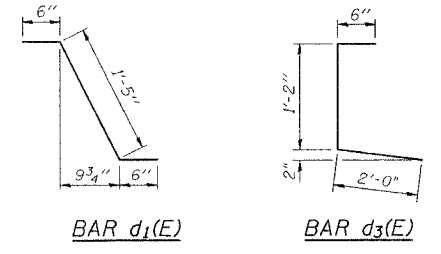
Notes:  
Fiberglass pipe shall conform to ASTM D2996, with short-time rupture strength hoop tensile stress of 30,000 p.s.i. minimum.  
The exterior surfaces of the floor drains shall be coated or pigmented by the manufacturer with a color that matches the concrete.  
The clamping device and inserts shall be galvanized according to AASHTO M 232.



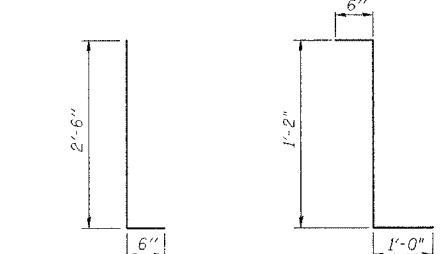
TOP PLAN



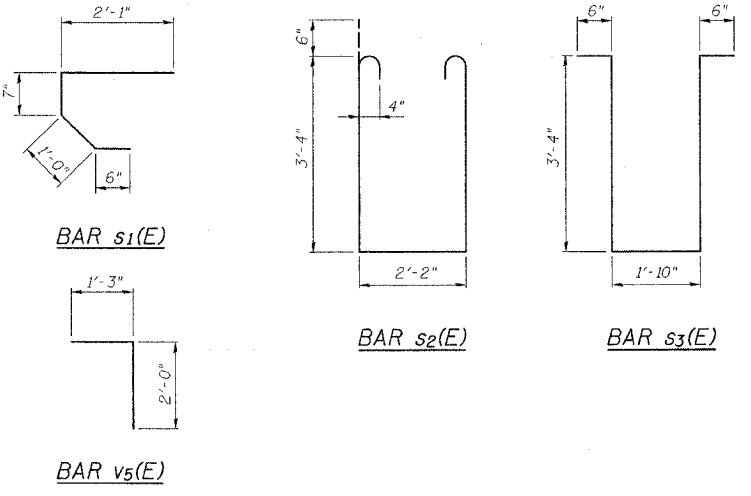
SECTION A-A



BAR d1(E) BAR d3(E)



BARS d(E) & d2(E) BAR d4(E)



BAR s1(E) BAR s2(E) BAR s3(E) BAR v5(E)

NEW BEDFORD ROAD OVER GREEN RIVER

SUPERSTRUCTURE DETAILS

REVISIONS	NO.	DATE	INITIALS	STATE OF ILLINOIS DEPARTMENT OF TRANSPORTATION DIVISION OF HIGHWAYS	SECTION 103C-BR	PROJECT NO. 4858-1
1						
2						
3						
4						
5						
6						
7						
8						
9						
10						
11						
12						