

PROJECT ENGINEER: ROBERT J WAGNER

SENIOR ENGINEER: THOMAS HALLA

HOMER L. CHASTAIN & ASSOCIATES

DAN JEDRZEJAK 773-714-0050 (815) 284-3308

INDEX OF SHEETS

- 1 COVER SHEET AND INDEX OF SHEETS
2 - 3 SUMMARY OF QUANTITIES
4 - 5 TYPICAL SECTIONS
6 - 7 ALIGNMENT, TIES AND BENCHMARKS
8 - 8A GENERAL NOTES
9 - 10 SCHEDULE OF QUANTITIES
11 - 12 PLAN AND PROFILE
13 - 14 EROSION CONTROL PLAN
15 GRADING PLAN SECTION 105 BR-2
16 - 26 SN 098-0110 PLANS AND BORING LOGS
27 - 31 SN 098-1013 PLANS AND BORING LOGS
32 - 34 SN 098-0027 EXISTING PLANS
35 SN 098 1006 EXISTING PLANS
36 - 46 DISTRICT 2 STANDARDS
36 2.1 STORMWATER POLLUTION PREVENTION PLAN
37 20.1 BITUMINOUS APPROACHES & MAILBOX TURNOUTS
38 40.1 TRAFFIC CONTROL FOR ROAD CLOSURE
39 - 40 41.1 TYPICAL PAVEMENT MARKINGS
41 92.1 DETAILS OF PLANTING AND BRACING TREES
42 29.2 EROSION CONTROL DETAILS FOR SILT FENCE
42A 30.2 FIELD TILE JUNCTION VAULTS 600 (24) AND 900 (36) DIA.
43 37.4 DELINEATOR AND POST ORIENTATION
44 38.4 WITNESS MARKER FOR PERMANENT SURVEY MARKERS TYPE II
45 89.4 LETTERING AND NAME PLATE
46 90.4 TREE REPLACEMENT SCHEDULE
47 96.4 DRAIN FOR AGGREGATE BASE COURSE
48 - 59 CROSS SECTIONS

DESIGN DESIGNATOR
FAS 1197 SECTION 105 BR-2 - 2400(23) MAJOR COLLECTOR - .5(FD-20)
FAS 1197 SECTION 105-T - 2800(23) MAJOR COLLECTOR - .5(FD-20)
ADT - SECTION 105 BR-2 1750 (2003) 6.5% TRUCKS
- SECTION 105-T 2100 (2003) 6.5% TRUCKS
DESIGN SPEED = 60 MPH

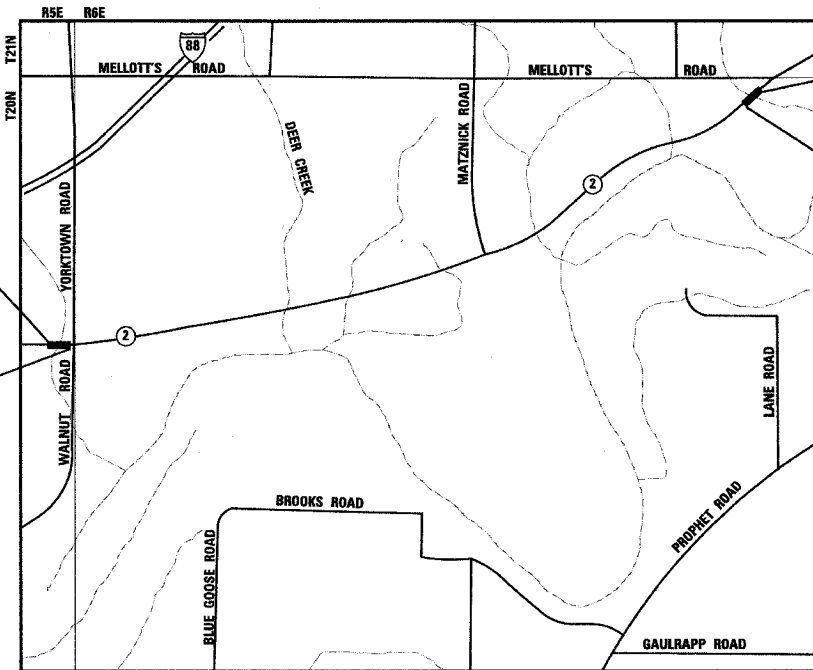
STATE STANDARDS

- 000001-04 STANDARD SYMBOLS, ABBREVIATIONS, AND PATTERNS
280001-02 TEMPORARY EROSION CONTROL SYSTEMS
420401-05 BRIDGE APPROACH PAVEMENT
515001-02 NAME PLATE FOR BRIDGES
542401 METAL END SECTION FOR PIPE CULVERTS
609006-02 BRIDGE APPROACH PAVEMENT (DRAIN DETAIL)
630001-05 STEEL PLATE BEAM GUARDRAIL
630301-03 SHOULDER WIDENING FOR TYPE 1 (SPECIAL) GUARDRAIL TERMINALS
631026-02 TRAFFIC BARRIER TERMINAL, TYPE 5 & 5A
631031-05 TRAFFIC BARRIER TERMINAL, TYPE 6
635006-02 REFLECTOR AND TERMINAL MARKER PLACEMENT
635011-01 REFLECTOR MARKER AND MOUNTING DETAILS
667101 PERMANENT SURVEY MARKERS
701001-01 OFF-RD OPERATION 2L, 2W, 4.5m (15') MIN. AWAY FOR SPEEDS >= 45 MPH
701011-01 OFF-RD MOVING OPERATIONS 2L, 2W DAY ONLY FOR SPEEDS >= 45 MPH
701301-02 LANE CLOSURE 2L, 2W SHORT TIME OPERATIONS
701311-02 LANE CLOSURE 2L, 2W MOVING OPERATIONS - DAY ONLY
702001-05 TRAFFIC CONTROL DEVICES
780001-01 TYPICAL PAVEMENT MARKINGS
781001-02 TYPICAL APPLICATIONS RAISED REFLECTIVE PAVEMENT MARKERS

J.U.L.I.E.
JOINT UTILITY LOCATION INFORMATION FOR EXCAVATION
1-800-892-0123

CONTRACT NO. 64421

STATE OF ILLINOIS
DEPARTMENT OF TRANSPORTATION
DIVISION OF HIGHWAYS
PLANS FOR PROPOSED
FEDERAL AID HIGHWAY
FAS ROUTE 1197 (MOLINE ROAD)
SECTION 105 BR-2 & 105-T
PROJECT NO.
WHITESIDE COUNTY
C-92-024-05

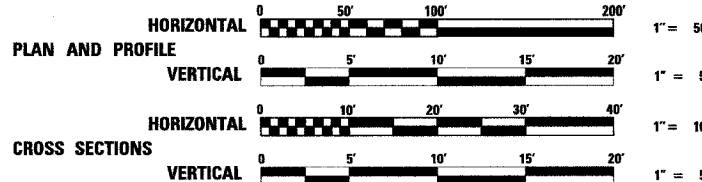


BEGIN CONSTRUCTION
STA 224+00
SECTION 105 BR-2
INCLUDES THE REMOVAL OF THE
EXISTING STRUCTURE NO. 098-0027,
A SINGLE SPAN CONCRETE TEE BEAM
BRIDGE AND CONSTRUCTION OF THE
NEW STRUCTURE NO. 098-0110, A
3 SPAN REINFORCED CONCRETE DECK
SLAB BRIDGE, AT STATION 229+67.50
END CONSTRUCTION
STA 232+00

END CONSTRUCTION
STA 425+38

BEGIN CONSTRUCTION
STA 429+00

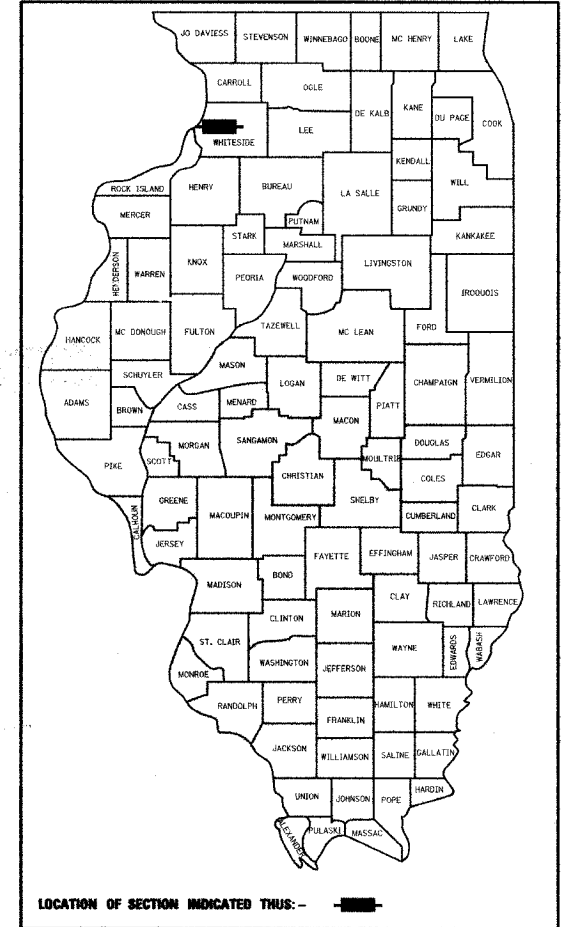
SECTION 105-T
INCLUDES THE REMOVAL OF THE EXISTING
STRUCTURE NO. 098-1006, A SINGLE SPAN
SLAB BRIDGE ON CLOSED ABUTMENTS AND
CONSTRUCTION OF THE NEW STRUCTURE
NO. 098-1013, A CAST-IN-PLACE BOX
CULVERT, AT STATION 428+13.00



GROSS LENGTH OF PROJECT = 1162 LIN. FEET = 0.220 MILES
NET LENGTH OF PROJECT = 1162 LIN. FEET = 0.220 MILES

Professional Engineer Seal for Daniel Thomas Hedrick, License No. 062-046547, expires 11-30-05.

Table with columns: FAS ROUTE, SECTION, COUNTY, TOTAL SHEETS, SHEET NO. Values: 1197, 105 BR-2 & 105-T, WHITESIDE, 59, 1.



STATE OF ILLINOIS DEPARTMENT OF TRANSPORTATION DIVISION OF HIGHWAYS. SUBMITTED 11/19/04, PASSED December 10, 2004, APPROVED December 10, 2004. Includes signatures of District Engineer and Director.

DISTRICT 2 - DIXON, IL

REVISED 3-10-2005

PRINTED BY THE AUTHORITY OF THE STATE OF ILLINOIS

SUMMARY OF QUANTITIES

FILE NO.	SECTION	COUNTY	TOTAL SHEETS	SHEET NO.
1197105	BR-2 & 105-T	WHITESIDE	59	2
STA.		TO STA.		
EXISTING CONDITIONS:				
CONTRACT 64421				

CODE NUMBER	ITEM	UNITS	TOTAL 100% STATE QUANTITIES 80% FED 20% STATE	ROADWAY BR-2 XO20-2A SEC 105 BR-2	ROADWAY RS 1000 SEC 105-T	BRIDGE BR-2 XO20-2A	CULVERT RS XO28-2A
* A2006514	TREE, QUERCUS BICOLOR (SWAMP WHITE OAK), 1- 3/4" CALIPER, BALLED AND BURLAPPED	EACH	12	9	3		
20100110	TREE REMOVAL (6 TO 15 UNITS DIAMETER)	UNIT	122	100	22		
20200100	EARTH EXCAVATION	CU YD	1,490	1,321	169		
20201200	REMOVAL AND DISPOSAL OF UNSUITABLE MATERIAL	CU YD	33	0	33		
20700220	POROUS GRANULAR EMBANKMENT	CU YD	83			83	
20800150	TRENCH BACKFILL	CU YD	73		73		
21101615	TOPSOIL FURNISH AND PLACE, 4"	SQ YD	4,005	2,538	1,467		
21301052	EXPLORATION TRENCH 52" DEPTH	FOOT	50		50		
25000310	SEEDING, CLASS 4	ACRE	0.50	0.25	0.25		
25001830	SEEDING, CLASS 6 (MODIFIED)	ACRE	1.25	0.75	0.50		
25100115	MULCH, METHOD 2	ACRE	5.25	3.00	2.25		
25100630	EROSION CONTROL BLANKET	SQ YD	924	491	433		
28000250	TEMPORARY EROSION CONTROL SEEDING	POUND	350	200	150		
28000300	TEMPORARY DITCH CHECKS	EACH	9	5	4		
28000400	PERIMETER EROSION BARRIER	FOOT	2,446	1,704	742		
28100109	STONE RIPRAP, CLASS A5	SQ YD	1,018			1,018	
28200100	FILTER FABRIC FOR USE WITH RIPRAP	SQ YD	1,018			1,018	
31100910	SUB-BASE GRANULAR MATERIAL, TYPE A, 12"	SQ YD	100	51	49		
31101000	SUB-BASE GRANULAR MATERIAL TYPE B	TON	100	50	50		
40200800	AGGREGATE SURFACE COURSE, TYPE B	TON	131	64	67		
42001165	BRIDGE APPROACH PAVEMENT	SQ YD	428	214	214		
42001430	BRIDGE APPROACH PAVEMENT CONNECTOR (FLEXIBLE)	SQ YD	71	36	35		
44000030	BITUMINOUS SURFACE REMOVAL (VARIABLE DEPTH)	SQ YD	786	495	291		
44000100	PAVEMENT REMOVAL	SQ YD	633	402	231		
48101200	AGGREGATE SHOULDERS, TYPE B	TON	527	297	230		
50100300	REMOVAL OF EXISTING STRUCTURES NO. 1	EACH	1			1	
50100400	REMOVAL OF EXISTING STRUCTURES NO. 2	EACH	1				1
50100500	REMOVAL OF EXISTING STRUCTURES NO. 3	EACH	1				1
50200100	STRUCTURE EXCAVATION	CU YD	121			121	
50300100	FLOOR DRAINS	EACH	12			12	
50300225	CONCRETE STRUCTURES	CU YD	88.2			88.2	
50300255	CONCRETE SUPERSTRUCTURE	CU YD	293.4			293.4	
50300260	BRIDGE DECK GROOVING	SQ YD	492			439	53
50300300	PROTECTIVE COAT	SQ YD	647			578	69
50800205	REINFORCEMENT BARS, EPOXY COATED	POUND	87,300			73,480	13,820
50901001	STEEL BRIDGE RAIL	FOOT	32				32
51201410	FURNISHING STEEL PILES HP12X63	FOOT	1,381			1,381	
51202700	DRIVING STEEL PILES	FOOT	1,381			1,381	
51203610	TEST PILE STEEL HP12X63	EACH	1			1	
51500100	NAME PLATES	EACH	2			1	1
54003000	CONCRETE BOX CULVERTS	CU YD	76.4				76.4
54200223	PIPE CULVERTS, CLASS D, TYPE 1 18"	FOOT	503	222	281		
54215547	METAL END SECTIONS 12"	EACH	2	2			
54215553	METAL END SECTIONS 18"	EACH	16	8	8		
60100915	PIPE DRAINS 6"	FOOT	50		50		
60100925	PIPE DRAINS 8"	FOOT	50		50		

* SPECIALTY ITEM

REVISED
3-10-05

DATE
DATE-TIME
REF. SPEC.
REF.

SUMMARY OF QUANTITIES

FILE NO.	SECTION	COUNTY	TOTAL SHEETS	SHEET NO.
1197105	BR-2 & 105-T	WHITESIDE	59	3
STA.		TO STA.		
EXISTING CONDITIONS:				

CONTRACT 64421

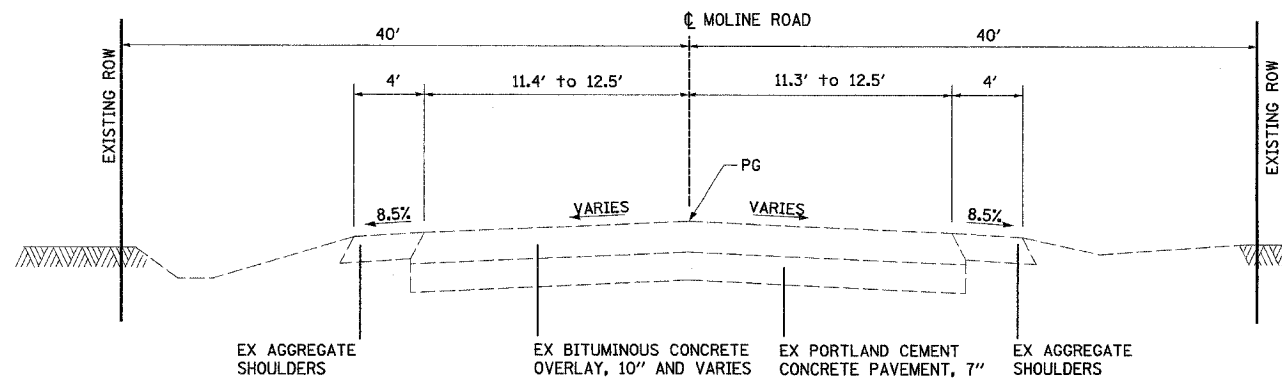
CODE NUMBER	ITEM	UNITS	TOTAL	ROADWAY	ROADWAY	BRIDGE	CULVERT
			100% STATE QUANTITIES	RS X020-2A SEC 105 BR-2	RS 1000 SEC 105-T	RS X020-2A	RS X028-2A
60100935	PIPE DRAINS 10"	FOOT	50		50		
60100945	PIPE DRAINS 12"	FOOT	82	32	50		
60900140	TYPE B INLET BOX, STANDARD 609006	EACH	2	2			
60900515	CONCRETE THRUST BLOCKS	EACH	2	2			
61100605	MISCELLANEOUS CONCRETE	CU YD	1		1		
61133200	FIELD TILE JUNCTION VAULTS, 3' DIA.	EACH	1		1		
63100087	TRAFFIC BARRIER TERMINAL, TYPE 6A	EACH	4		4		
63301210	REMOVE AND REERECT STEEL PLATE BEAM GUARD RAIL, TYPE A	FOOT	50		50		
63301990	REMOVE AND REERECT TRAFFIC BARRIER TERMINAL, TYPE 1	EACH	8	4	4		
63302700	REMOVE AND REERECT TRAFFIC BARRIER TERMINAL, TYPE 6	EACH	4	4			
63500105	DELINEATORS	EACH	2	2			
66300105	CALCIUM CHLORIDE APPLIED	TON	14	0	14		
66411900	TEMPORARY FENCE	FOOT	174	174			
66700305	PERMANENT SURVEY MARKERS, TYPE II	EACH	2	1	1		
67000400	ENGINEER'S FIELD OFFICE, TYPE A	CAL MO	6	4	2		
67100100	MOBILIZATION	L SUM	1	0.5	0.5		
* 78001110	PAINT PAVEMENT MARKING - LINE 4"	FOOT	5,230	3,600	1,630		
* 78100100	RAISED REFLECTIVE PAVEMENT MARKER	EACH	26	17	9		
* 78100105	RAISED REFLECTIVE PAVEMENT MARKER (BRIDGE)	EACH	9	6	3		
78200410	GUARDRAIL MARKERS, TYPE A	EACH	4		4		
78201000	TERMINAL MARKER - DIRECT APPLIED	EACH	8	4	4		
X3560140	BITUMINOUS CONCRETE BASE COURSE WIDENING, SUPERPAVE 10 INCH	SO YD	209	143	66		
X4066414	BITUMINOUS CONCRETE SURFACE COURSE, SUPERPAVE, MIX "C", N50	TON	514	309	205		
X4066614	BITUMINOUS CONCRETE BINDER COURSE, SUPERPAVE, IL- 19.0, N50	TON	556	488	68		
X4066735	LEVELING BINDER (HAND METHOD), SUPERPAVE N50	TON	2	1	1		
X4066765	LEVELING BINDER (MACHINE METHOD), SUPERPAVE N50	TON	11	6	5		
X5020501	UNDERWATER STRUCTURE EXCAVATION PROTECTION - LOCATION 1	EACH	1			1	
X5020502	UNDERWATER STRUCTURE EXCAVATION PROTECTION - LOCATION 2	EACH	1			1	
X7013015	TRAFFIC CONTROL FOR ROAD CLOSURE	L SUM	1	0.5	0.5		
Z0013798	CONSTRUCTION LAYOUT	L SUM	1	0.5	0.5		

* SPECIALTY ITEM

•ADDITIONAL
•CORRECTIONS
•DON-SPEC
•REF.
•REV.

REVISION
3-10-2005

FAS ROUTE	SECTION	COUNTY	TOTAL SHEETS	SHEET NO
1197	105 BR-2 & 105-T	WHITESIDE	59	4
STA. 224+00		TO STA. 232+00		
EXISTING CONDITIONS:				
CONTRACT 64421				

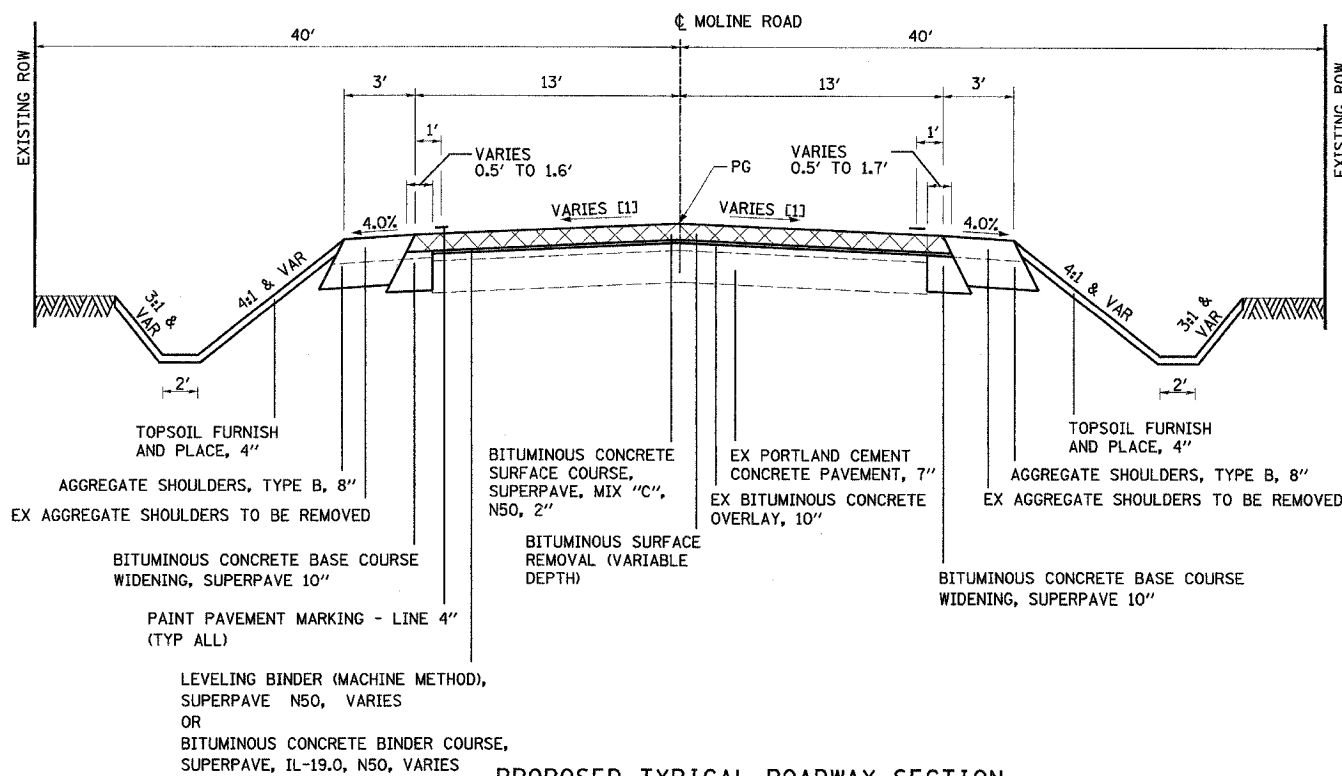


EXISTING TYPICAL ROADWAY SECTION

N.T.S.

STA 224+00.00 TO STA 229+58.29
 STA 229+58.29 TO STA 230+05.43 EX BRIDGE OMISSION
 STA 230+05.43 TO STA 232+00

PLAN	DATE
SUPERVISED	
DESIGNED	
CHECKED	
IN CHARGE	
DATE	
NO.	
FILE NAME	



PROPOSED TYPICAL ROADWAY SECTION

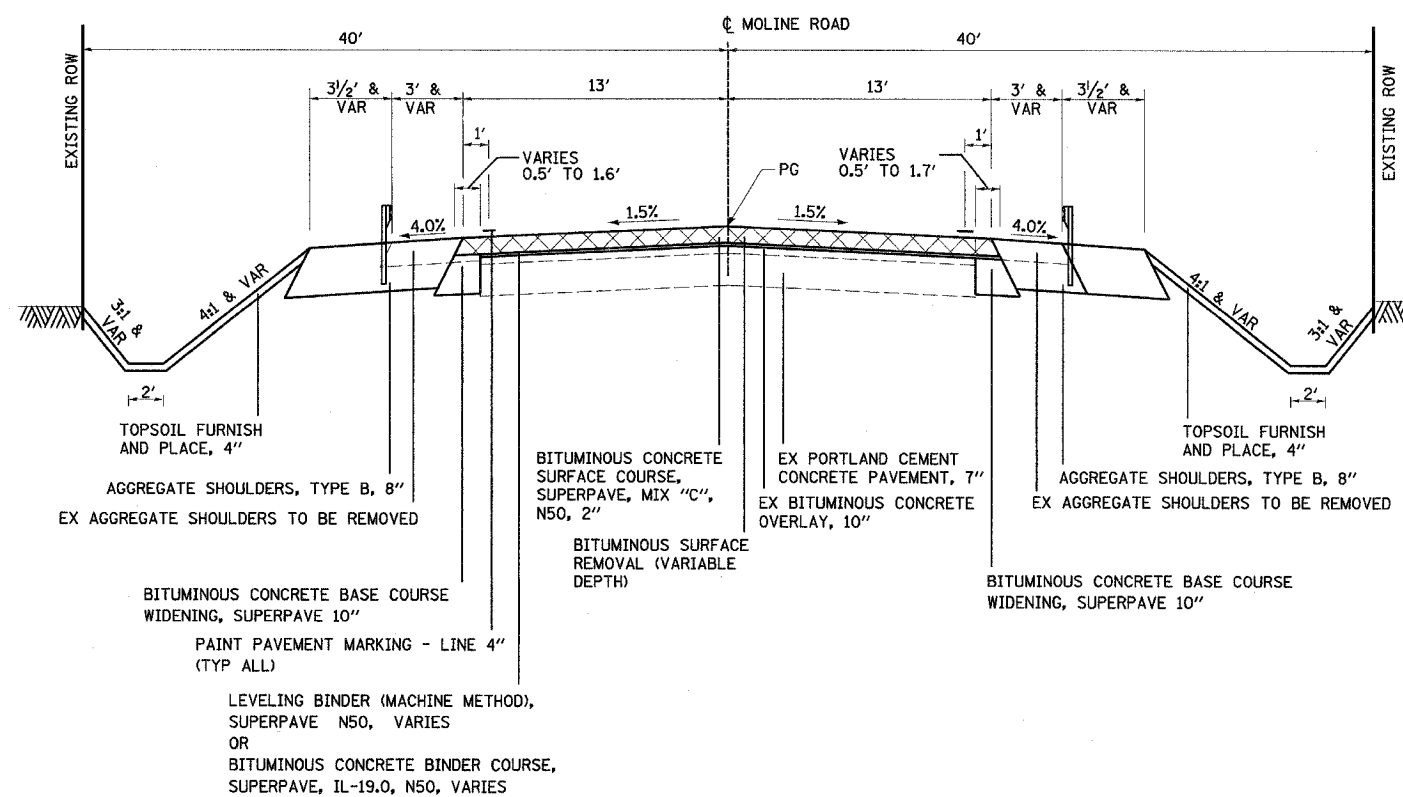
N.T.S.

STA 224+00.00 LT TO STA 227+93.09 LT
 STA 224+00.00 RT TO STA 227+81.89 RT
 STA 231+53.31 LT TO STA 232+00.00 LT
 STA 231+44.30 RT TO STA 232+00.00 RT

[1] SEE PAVEMENT TRANSITION SCHEDULE FOR CROSS SLOPES

NOTE:

- BRIDGE APPROACH PAVEMENT CONNECTOR (FLEXIBLE) CONSISTS OF BITUMINOUS CONCRETE SURFACE COURSE, SUPERPAVE, MIX "C", N50 2" AND BITUMINOUS CONCRETE BINDER COURSE, SUPERPAVE, IL-19.0, N50 7".
- SEE PLAN AND PROFILE SHEETS FOR GUARDRAIL LOCATIONS.
- SEE SHEET 5 FOR APPLICATION RATES.



PROPOSED TYPICAL ROADWAY SECTION

N.T.S.

STA 227+93.09 LT TO STA 228+65.50
 STA 227+81.89 RT TO STA 228+65.50
 STA 225+65.50 TO STA 228+71.72
 STA 228+71.72 TO STA 229+01.72
 STA 229+01.72 TO STA 230+33.27
 STA 230+33.27 TO STA 230+63.27
 STA 230+63.27 TO STA 230+69.49
 STA 230+69.49 TO STA 231+53.31 LT
 STA 230+69.49 TO STA 231+44.30 RT

- BRIDGE APPROACH PAVEMENT CONNECTOR (FLEXIBLE) (SEE STANDARD)
- BRIDGE APPROACH PAVEMENT (SEE STANDARD)
- BRIDGE OMISSION
- BRIDGE APPROACH PAVEMENT (SEE STANDARD)
- BRIDGE APPROACH PAVEMENT CONNECTOR (FLEXIBLE) (SEE STANDARD)

PAVEMENT TRANSITION SCHEDULE

STA	CROSS SLOPE		EDGE OF PAVEMENT ELEVATION	
	LT	RT	LT	RT
224+00.00	0.06%	2.44%	619.11	618.80
224+25.38	1.00%	1.50%	618.99	618.93
224+38.88	1.50%	1.50%	618.94	618.94
231+27.10	1.50%	1.50%	618.92	618.92
231+67.60	3.00%	0.00%	618.67	619.06
231+94.60	4.00%	1.00%	618.53	619.18
232+00.00	4.00%	1.20%	618.53	619.21

BITUMINOUS SURFACE REMOVAL (VARIABLE DEPTH)

REVISIONS	
NAME	DATE

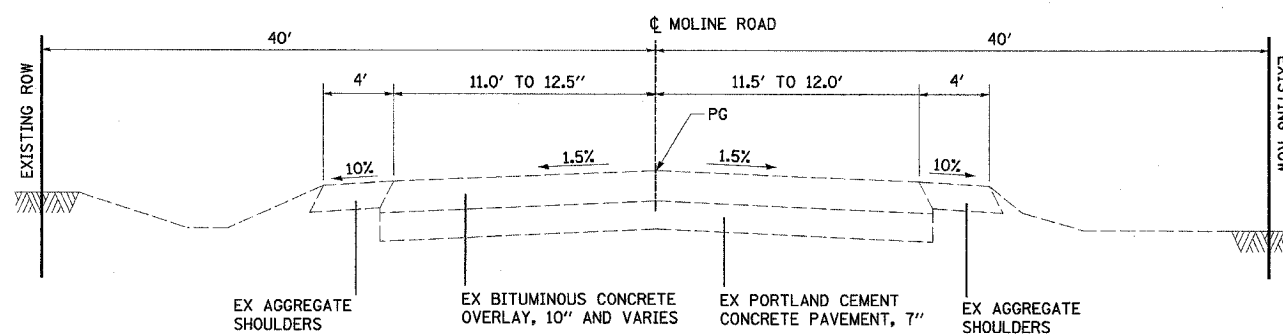
ILLINOIS DEPARTMENT OF TRANSPORTATION
 FAS ROUTE 1197 (MOLINE ROAD)
 SECTION 105 BR-2
 WHITESIDE COUNTY

TYPICAL SECTIONS

DRAWN BY: HLC

11/3/2004
 4:00:58 PM
 4:00:58 PM
 4:00:58 PM

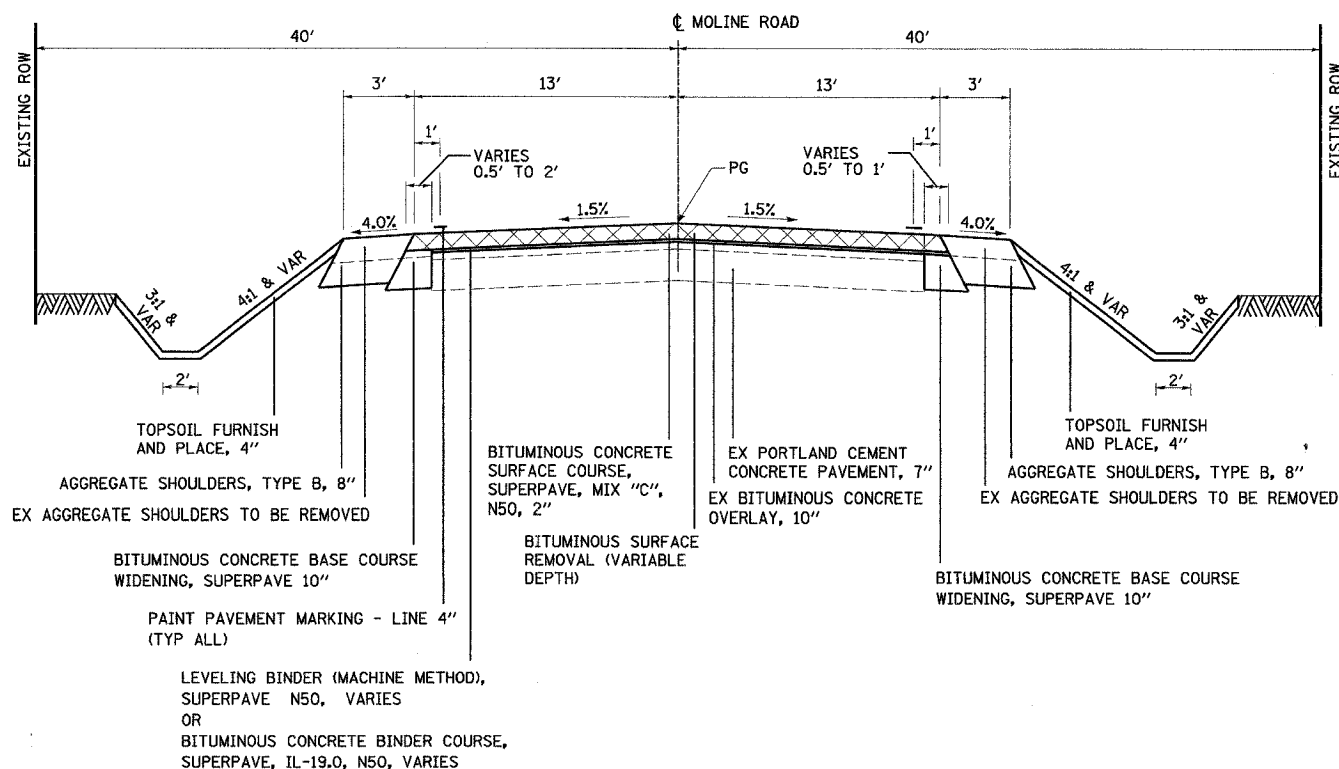
PAGE	SECTION	COUNTY	TOTAL SHEETS	SHEET NO
1197	105 BR-2 & 105-T	WHITESIDE	59	5
STA. 425+38		TO STA. 429+00		
EXISTING CONDITIONS:				
CONTRACT 64421				



EXISTING TYPICAL ROADWAY SECTION

N.T.S.

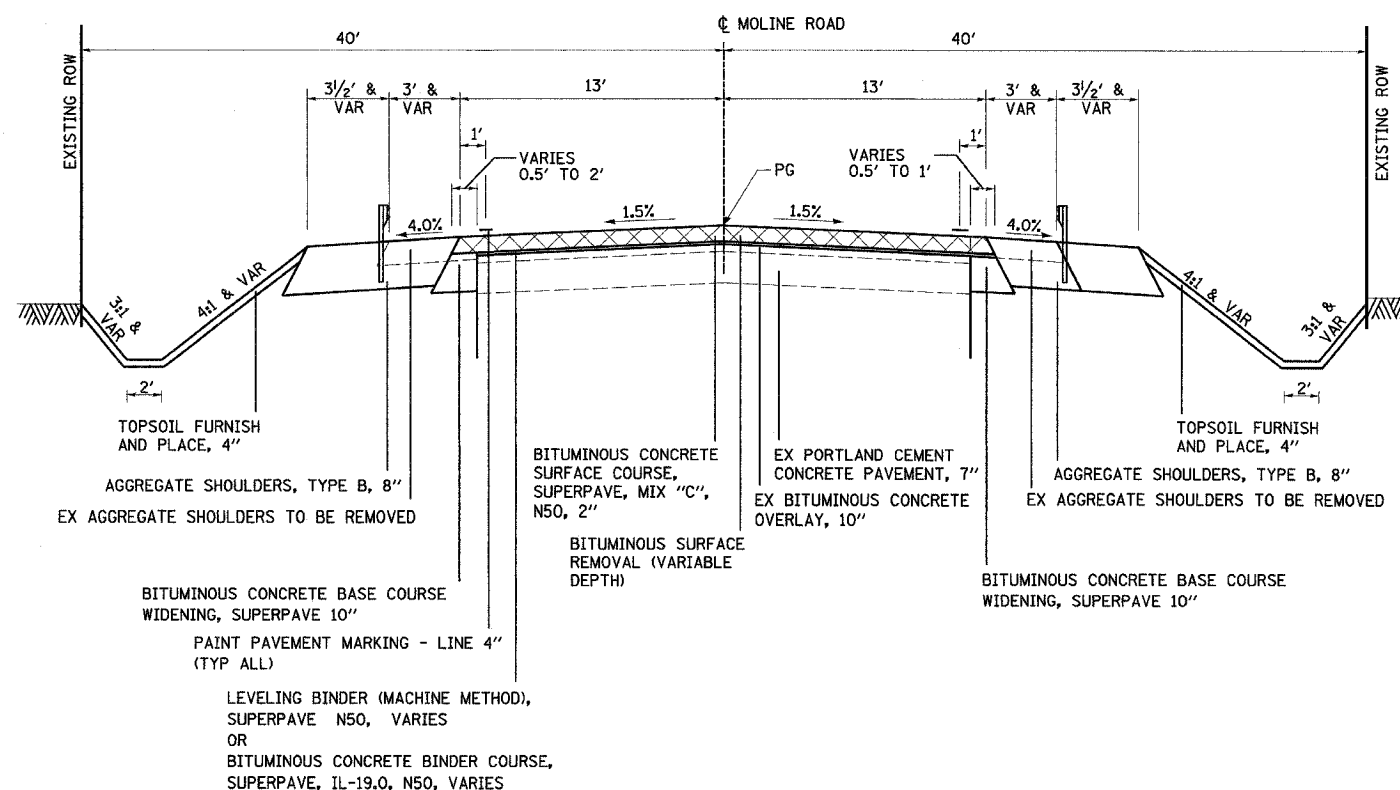
STA 425+38.00 TO STA 429+00.00



PROPOSED TYPICAL ROADWAY SECTION

N.T.S.

STA 425+38.00 LT TO STA 427+06.95 LT
STA 425+38.00 RT TO STA 426+81.93 RT



PROPOSED TYPICAL ROADWAY SECTION

N.T.S.

STA 427+06.95 LT TO STA 427+69.17 LT
STA 426+81.93 RT TO STA 427+69.17 RT
STA 427+69.17 TO STA 427+75.17
STA 427+75.17 TO STA 428+05.17
STA 428+05.17 TO STA 428+20.83
STA 428+20.83 TO STA 428+50.83
STA 428+50.83 TO STA 428+56.83
STA 428+56.83 LT TO STA 429+00.00 LT
STA 428+56.83 RT TO STA 429+00.00 RT

BRIDGE APPROACH PAVEMENT CONNECTOR (FLEXIBLE) (SEE STANDARD)
BRIDGE APPROACH PAVEMENT (SEE STANDARD)
BRIDGE OMISSION
BRIDGE APPROACH PAVEMENT (SEE STANDARD)
BRIDGE APPROACH PAVEMENT CONNECTOR (FLEXIBLE) (SEE STANDARD)
SHOULDER ENDS AT STA 429+44.05
SHOULDER ENDS AT STA 429+19.01

APPLICATION RATES

LEVELING BINDER	112 LBS/SQ YD IN
AGGREGATE SHOULDERS, TYPE B	2.05 TONS/CU YD
AGGREGATE BASE COURSE, TYPE B	2.05 TONS/CU YD
BITUMINOUS CONCRETE BINDER COURSE	115 LBS/SQ YD IN
BITUMINOUS CONCRETE SURFACE COURSE	112 LBS/SQ YD IN
INCIDENTAL BITUMINOUS SURFACING	112 LBS/SQ YD IN
ROCK FILL	1.5 TON/CU YD

NOTE:

- BRIDGE APPROACH PAVEMENT CONNECTOR (FLEXIBLE) CONSISTS OF BITUMINOUS CONCRETE SURFACE COURSE, SUPERPAVE, MIX "C", N50 2" AND BITUMINOUS CONCRETE BINDER COURSE, SUPERPAVE, IL-19.0, N50 7".
- SEE PLAN AND PROFILE SHEETS FOR GUARDRAIL LOCATIONS.

 BITUMINOUS SURFACE REMOVAL (VARIABLE DEPTH)

REVISIONS	
NAME	DATE

ILLINOIS DEPARTMENT OF TRANSPORTATION
FAS ROUTE 1197 (MOLINE ROAD)
SECTION 105-T
WHITESIDE COUNTY
TYPICAL SECTIONS

DRAWN BY: HLC

PLAN	DATE
SUBMITTED	
PLOTTED	
BY	
NO.	

11/3/2004
DATE
DOW-SPEC
REF

FILE NO.	SECTION	COUNTY	TOTAL SHEETS	SHEET NO.
1197	105 BR-2	WHITESIDE	59	6

STA. 224+00 TO STA. 232+00
EXISTING CONDITIONS:

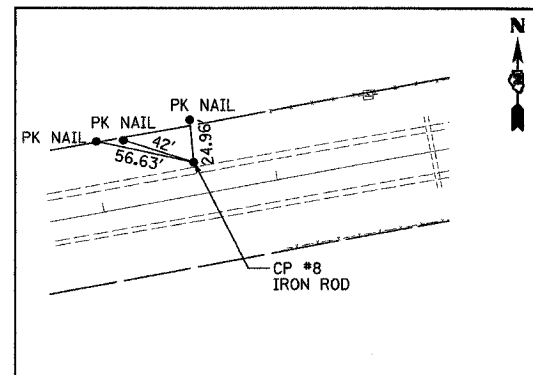
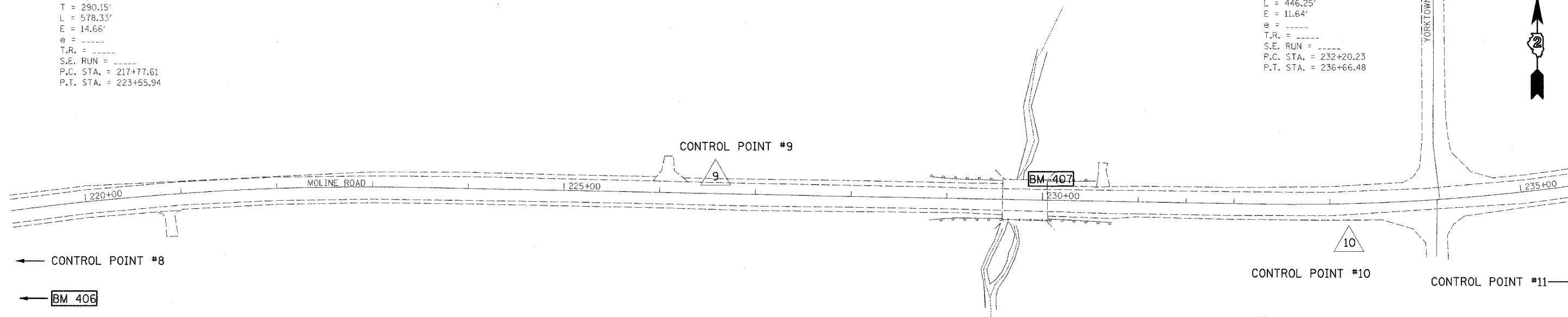
CONTRACT 64421



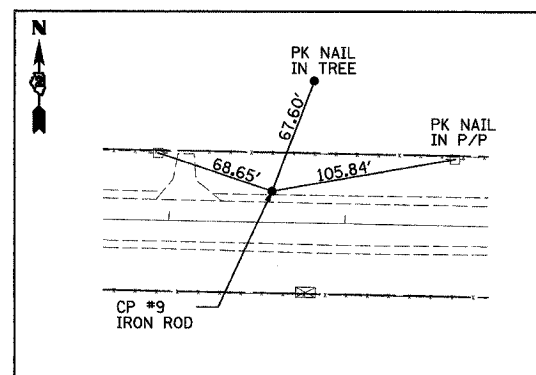
EXIST. CURVE C1
PI STA. = 220+67.76
 $\Delta = 11^\circ 34' 00''$ (RT)
D = $2^\circ 00' 00''$
R = 2,864.79'
T = 290.15'
L = 578.33'
E = 14.66'
e = -----
T.R. = -----
S.E. RUN = -----
P.C. STA. = 217+77.61
P.T. STA. = 223+55.94

EXIST. CURVE C2
PI STA. = 234+44.16
 $\Delta = 11^\circ 54' 00''$ (LT)
D = $2^\circ 40' 00''$
R = 2,148.59'
T = 223.93'
L = 446.25'
E = 11.64'
e = -----
T.R. = -----
S.E. RUN = -----
P.C. STA. = 232+20.23
P.T. STA. = 236+66.48

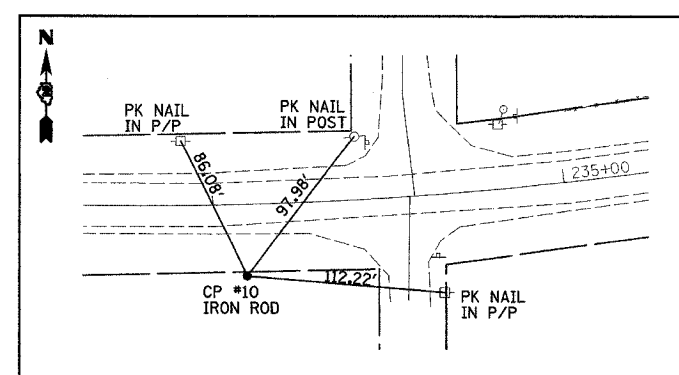
PLAN	DATE
SURVEYED	
PLOTTED	
CHECKED	
IN CHARGE	
NOTE BOOK NO.	
ADD FILE NAME	



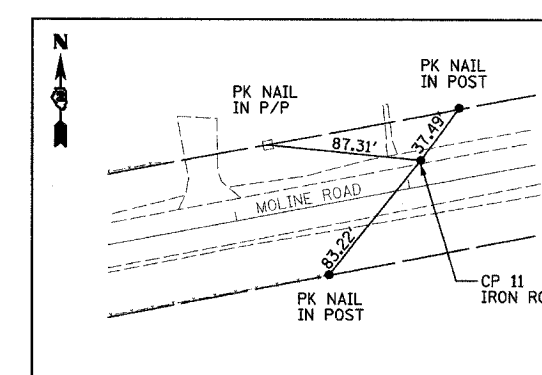
CONTROL POINT #8
STA 216+55.13, 18.421 LT
N 1847212.9742
E 2378028.7029



CONTROL POINT #9
STA 226+58.25, 17.87 LT
N 1847277.4184
E 2379030.4301



CONTROL POINT #10
STA 233+18.76 40.60' RT
N 1847200.0222
E 2379803.4551



CONTROL POINT #11
STA 243+09.06 14.54' LT
N 1847357.9048
E 2380612.3144

BENCHMARKS

BM 406 "□" CUT ON CONCRETE HEADWALL OF
CULVERT
STA. 214+81.2 28.5' LT
ELEV. 620.58

BM 407 "□" CUT ON TOP OF NORTH EAST WINGWALL
OF BRIDGE
STA. 230+06.6 23.3' LT
ELEV. 618.83

NOTE:
BASIS OF BEARINGS AND COORDINATES IS
ILLINOIS STATE PLANE (NAD83) WEST ZONE.
GROUND VALUES SHOWN (COMBINED GRID
FACTOR FOR PROJECT AREA 0.999929977).
NGS MONUMENTS BUR40-1A & BUR40-1B WERE
USED FOR CONTROL.

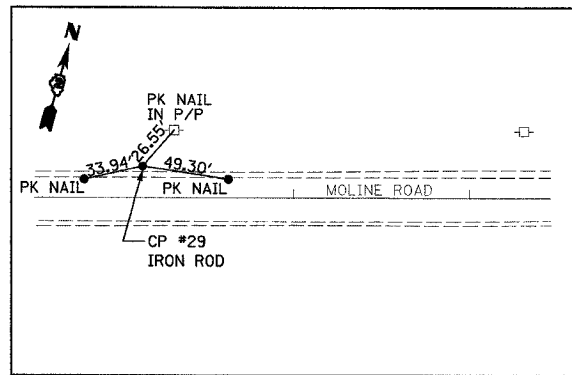
REVISIONS	
NAME	DATE

ILLINOIS DEPARTMENT OF TRANSPORTATION
FAS ROUTE 1197 (MOLINE ROAD)
SECTION 105BR-2
WHITESIDE COUNTY
ALIGNMENT & TIES
BENCHMARKS
DRAWN BY: HLC

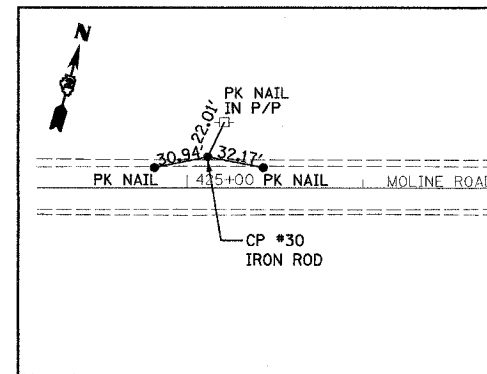
11/3/2004
-DATE-
-DRAWN BY-
-CHECKED BY-
-REF-
-APP-
-SCALE-

FAS NO.	SECTION	COUNTY	TOTAL SHEETS	SHEET NO.
1197	105-T	WHITESIDE	59	7
STA. 429+00		TO STA. 425+38		

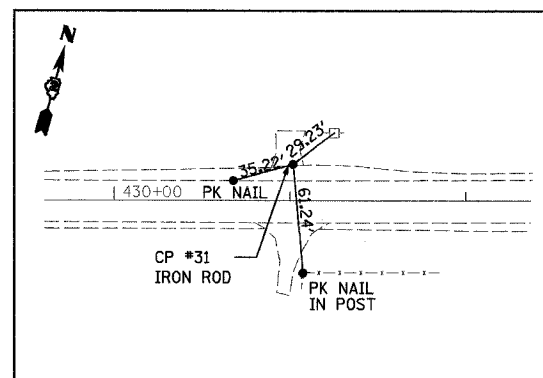
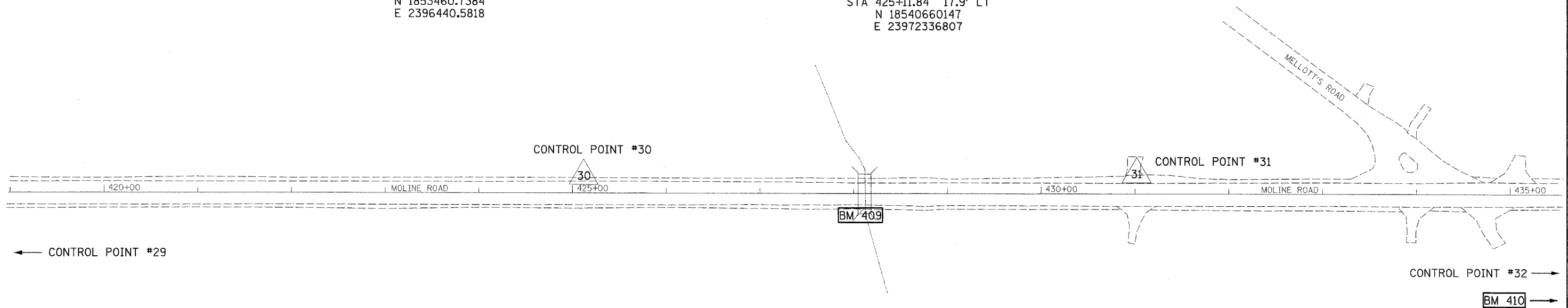
EXISTING CONDITIONS:
CONTRACT 64421



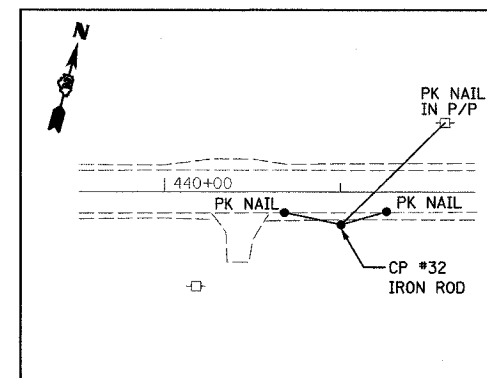
CONTROL POINT #29
STA 415+14, 18.2' LT
N 1853460.7384
E 2396440.5818



CONTROL POINT #30
STA 425+11.84 17.9' LT
N 18540660147
E 23972336807



CONTROL POINT #31
STA 431+01.81 20.7' LT
N 18544261706
E 23977009665



CONTROL POINT #32
STA 441+00 18.6' RT
N 18550009663
E 239858185368

NOTE:
BASIS OF BEARINGS AND COORDINATES IS ILLINOIS STATE PLANE (NAD83) WEST ZONE. GROUND VALUES SHOWN (COMBINED GRID FACTOR FOR PROJECT AREA 0.999929977). NGS MONUMENTS BUR40-1A & BUR40-1B WERE USED FOR CONTROL.

BENCHMARKS

BM 409 "□" CUT ON S.W. WINGWALL OF BRIDGE STA. 428+05.35 21.4' RT ELEV. 623.39'
BM 410 "□" CUT ON CONCRETE HEADWALL @ PRIVATE ENTRANCE 23601 MOLINE ROAD STA. 440+57.6 23.5' LT ELEV. 629.34'

REVISIONS	
NAME	DATE

ILLINOIS DEPARTMENT OF TRANSPORTATION
FAS 1197 (MOLINE ROAD)
SECTION 105-T
WHITESIDE COUNTY
**ALIGNMENT & TIES
BENCHMARKS**
DRAWN BY: HLC

PLAN	DATE
BY	
DATE	
BY	
DATE	
BY	
DATE	
BY	
DATE	
BY	
DATE	

11/3/2004
DGN-SPIC
REF-
REF-

GENERAL NOTES

FAS ROUTE	SECTION	COUNTY	TOTAL SHEETS	SHEET NO.
1197	105 BR-2 & 105-T	WHITESIDE	59	8
STA. TO STA.		EXISTING CONDITIONS:		

CONTRACT 64421

- SEE CROSS SECTIONS FOR SPECIAL DITCHES AND BACKSLOPES.
- AT THE LOCATIONS WHERE EXCAVATION QUANTITIES ON THE PLANS ARE INDICATED AS HAVING BEEN ESTIMATED, THE ENGINEER WILL OBTAIN ORIGINAL AND FINAL CROSS SECTIONS TO DETERMINE PAY QUANTITIES.
- THE REMOVAL OF BITUMINOUS SURFACING NOT ON A RIGID TYPE BASE REMOVED IN CONJUNCTION WITH THE BASE SHALL BE REMOVED AS EARTH EXCAVATION. THE REMOVAL OF BITUMINOUS SURFACING ON A RIGID TYPE BASE REMOVED IN CONJUNCTION WITH THE BASE SHALL BE INCLUDED IN THE CONTRACT UNIT PRICE FOR PAVEMENT REMOVAL.
- THE CONTRACTOR SHALL SEED ALL DISTURBED AREAS WITHIN THE PROJECT LIMITS. SEEDING CLASS 4 OR 6 (MODIFIED) SHALL BE USED, EXCEPT IN FRONT OF PROPERTIES WHERE THE GRASS WILL BE MOWED, THEN USE SEEDING CLASS 1 (MODIFIED). CLASS 6 (MODIFIED) SHALL BE USED ON FRONT SLOPES AND DITCH BOTTOMS. CLASS 4 SHALL BE USED BEHIND TYPE A GUTTER, ON ALL BACKSLOPES AND AREAS BEHIND THE BACKSLOPE, AND BEYOND THE TOE OF FRONT SLOPE ON FILL SECTIONS WITHOUT DITCHES.
- FERTILIZER NUTRIENTS SHALL BE APPLIED AT THE RATE SPECIFIED IN SECTIONS 250 AND 252 OF THE STANDARD SPECIFICATIONS. THIS SHALL BE INCLUDED IN THE COST OF THE SEEDING OR SODDING.
- WHEN MULCH WITH EMULSIFIED ASPHALT IS APPLIED, IT WILL BE THE CONTRACTOR'S RESPONSIBILITY TO COVER OR PROTECT ALL TRAFFIC SIGNS, GUARDRAIL AND CURBS. ANY SIGNS, GUARDRAIL OR CURBS WHICH BECOME COVERED WITH ASPHALTIC MATERIAL SHALL BE CLEANED BY THE CONTRACTOR AT HIS OWN EXPENSE.
- MULCH ON TEMPORARY SEEDING SHALL BE MULCH METHOD 2. THE QUANTITIES FOR MULCH METHOD 2 INCLUDES BOTH TEMPORARY AND PERMANENTLY SEEDED AREAS.
- PREVIOUSLY PUGMILLED STOCKPILES OF "TYPE A" OLDER THAN 1 MONTH WILL NOT BE APPROVED FOR USE UNTIL A MOISTURE CHECK IS RUN TO VERIFY MOISTURE CONTENT. MATERIAL SHIPPED TO PROJECTS WITHOUT BEING TESTED WILL NOT BE ACCEPTED.
- THE SUBGRADE ON THIS PROJECT, EXCLUSIVE OF ROCK CUT AREAS IS SCHEDULED TO BE IMPROVED TO A 12" DEPTH ACCORDING TO MECHANISTIC PAVEMENT DESIGN. THE AREAS SCHEDULED TO BE IMPROVED TO A DEPTH GREATER THAN 12" ARE ESTIMATED BASED ON THE ORIGINAL GEOTECHNICAL INVESTIGATION. THE SUBGRADE SHALL BE PROCESSED IN ACCORDANCE WITH ARTICLE 301.03 OF THE STANDARD SPECIFICATIONS BEFORE THE ENGINEER SHALL DETERMINE THE LIMITS AND THE ADDITIONAL THICKNESS OF IMPROVEMENT REQUIRED, IF ANY.
- EXCEPT FOR THE TOP 3", ALL AGGREGATE BASES AND SUBBASES 12" IN THICKNESS SHALL BE CONSTRUCTED OF AGGREGATE GRADATION CA-2. IF THE SPECIFIED THICKNESS EXCEEDS 12", THE BASES OR SUBBASES SHALL BE CONSTRUCTED OF TOPSIZE 6" BREAKER-RUN CRUSHED STONE WITH 15% TO 40% BY WEIGHT PASSING THE 2" SIZE SIEVE, EXCEPT FOR THE TOP 3". THE BREAKER-RUN CRUSHED STONE SHALL BE REASONABLY UNIFORMLY GRADED FROM COARSE TO FINE AND BE TAKEN FROM A QUARRY LEDGE CAPABLE OF PRODUCING CLASS "D" QUALITY AGGREGATE. THE TOP 3" SHALL BE GRADATION CA-6 OR CA-10 REGARDLESS OF THICKNESS. THE WATER NECESSARY TO ACHIEVE COMPACTION IN ALL BUT THE TOP 3" LAYER MAY BE ADDED AFTER THE SUBBASE OR BASE COURSE IS PLACED ON THE GRADE.
- ALL EMBANKMENT CONSTRUCTED OF COHESIVE SOIL SHALL BE CONSTRUCTED WITH NOT MORE THAN 110% OF OPTIMUM MOISTURE CONTENT, DETERMINED BY THE STANDARD PROCTOR TEST. COHESIVE SOIL SHALL BE DEFINED AS ANY SOIL WHICH CONTAINS GREATER THAN 10% PARTICLES BY WEIGHT PASSING THE #200 SIEVE. THE 110% OF OPTIMUM MOISTURE LIMIT MAY BE WAIVED IF FREE-DRAINING GRANULAR MATERIAL WHEN APPROVED BY THE ENGINEER.
- A NATIONWIDE 404 PERMIT HAS BEEN ISSUED FOR THIS PROJECT AND THE CONDITIONS OF THAT PERMIT MUST BE ADHERED TO.
- THE NEW NUMBERS FOR THE BRIDGE STRUCTURE WILL BE 098-0110 AND THE CULVERT STRUCTURE WILL BE 098-1013.
- THE CONTRACTOR SHALL SUBMIT FOUR COPIES OF THE REQUIRED SHOP DRAWINGS FOR REVIEW AND APPROVAL TO THE BUREAU OF BRIDGES AND STRUCTURES, 2300 SOUTH DIRKSEN PARKWAY, SPRINGFIELD, IL 62764. AFTER APPROVAL OF INITIAL SUBMITTAL, THE CONTRACTOR SHALL SUBMIT ONE SET OF SHOP DRAWINGS TO ERIC HARM, ENGINEER OF MATERIALS, 126 EAST ASH STREET, SPRINGFIELD, IL 62706, AND EIGHT (8) SETS OF SHOP DRAWINGS TO BE DISTRIBUTED TO:
 DISTRICT 2 DISTRICT ENGINEER (1)
 FABRICATOR (1)
 CONTRACTOR (2)
 RESIDENT ENGINEER (2)
 DISTRICT 2 BUREAU OF MATERIALS (2)
- THE ADDITIONAL THICKNESS OF PROPOSED PAVEMENT REQUIRED TO MATCH THE BRIDGE APPROACH PAVEMENT, SHOWN IN STANDARD 420401, SHALL BE INCLUDED IN THE COST OF THE PROPOSED PAVEMENT AND NOT PAID FOR SEPARATELY.
- AT BRIDGE EXPANSION JOINTS, IF TEMPORARY EXPANSION JOINT BULKHEADS ARE ATTACHED TO ADJACENT DECK SLABS OR ABUTMENTS FOR SUPPORT, THE CONTRACTOR SHALL CUT THE ATTACHMENTS AS SOON AS THE CONCRETE HAS SET TO PREVENT JOINT DAMAGE DUE TO HORIZONTAL CONTRACTION OR EXPANSION.
- THE CURB IS REQUIRED ON THE BRIDGE APPROACH PAVEMENT AS SHOWN ON STANDARD 420401.
- THE BORING LOGS FOR THIS STRUCTURE INDICATE THAT GROUNDWATER LEVELS MAY ENDOACH ON THE CONSTRUCTION LIMITS OF THIS CULVERT. IT SHALL BE THE RESPONSIBILITY OF THE CONTRACTOR TO CONTROL THE GROUND WATER AND DIVERT THE STREAM FLOW DURING CONSTRUCTION IN ORDER TO KEEP THE CONSTRUCTION AREA FREE OF WATER. THE METHOD OF CONTROLLING THE WATER SHALL BE SUBJECT TO APPROVAL OF THE ENGINEER AND THE COST SHALL BE INCLUDED IN THE CONTRACT UNIT PRICE FOR CONCRETE BOX CULVERTS.
- A PRECAST BOX CULVERT IS NOT AN OPTION ON THE PROJECT DUE TO SOIL CONDITIONS.
- THE CONTRACTOR SHALL REMOVE AND DISPOSE OF ALL CORRUGATED METAL PIPE CULVERTS AS SHOWN IN THE PLANS. COST OF THE WORK TO BE INCLUDED IN THE CONTRACT UNIT PRICE FOR EARTH EXCAVATION.
- DELETED
- THE PROPOSED PIPES FOR ENTRANCES AND SIDE ROADS SHALL BE PLACED IN LINE WITH THE EXISTING OR PROPOSED DITCH LINE.

23. THE FOLLOWING MIXTURE REQUIREMENTS ARE APPLICABLE FOR THIS PROJECT:

BITUMINOUS MIXTURE DESCRIPTION

MIX USES	SURFACE COURSE	BINDER COURSE	LEVELING BINDER
PG	64-28	64-22	58-22
RAP% (MAX)	15	25	25
DESIGN AIR VOIDS(%)	4.2 AT N50	4.2 AT N50	4.2 AT N50
MIXTURE COMPOSITION	IL 9.5 OR 12.5	IL 19.0	IL 9.5 OR 12.5
FRICTION AGGREGATE	C	N/A	N/A
20 YEAR ESAL	0.39	0.39	0.39

- BITUMINOUS AND AGGREGATE PRIME COAT REQUIRED FOR LEVELING BINDER AND BINDER ON EXISTING SURFACES SHALL BE PLACED IN ACCORDANCE WITH SECTION 406 OF THE STANDARD SPECIFICATIONS. THE COST OF THE PRIME COATS SHALL BE INCLUDED IN THE CONTRACT UNIT PRICE PER TON FOR LEVELING BINDER (MACHINE METHOD) AND BITUMINOUS CONCRETE BINDER COURSE OF THE TYPES SPECIFIED.
- THE EXCAVATED MATERIALS FROM EARTH EXCAVATION WIDENING, GRADING AND SHAPING DITCHES, AND EXCAVATING AND GRADING SHOULDERS SHALL BE USED TO BUILD UP THE SHOULDER THROUGHOUT THE JOB TO CONFORM WITH THE TYPICAL SECTIONS AND SHOULDER WIDENING FOR TERMINALS AS SHOWN ON THE PLANS.
- EMBANKMENT QUANTITIES FOR THE CONSTRUCTION OF THE TRAFFIC BARRIER TERMINALS AS SHOWN IN THE PLANS ARE INCLUDED IN THE QUANTITIES FOR EARTH EXCAVATION.
- THE CONTRACTOR SHALL SUPPLY THE RESIDENT ENGINEER WITH THE MANUFACTURER'S INSTALLATION REQUIREMENTS FOR THE TYPE OF STEEL PLATE BEAM GUARDRAIL TERMINAL TYPE 1 SPECIAL (FLARED).
- SALVAGE EXISTING DELINEATORS WITHIN THE PROJECT LIMITS AND PLACE ONE AT EACH END OF APPROACH GUARDRAIL TERMINAL SECTION. THIS WORK SHALL BE INCLUDED IN THE CONTRACT UNIT PRICE FOR EARTH EXCAVATION.
- ONE 8d GALVANIZED NAIL SHALL BE USED TO TOE NAIL THE WOOD BLOCK OUT TO THE WOOD POST ON ALL TRAFFIC BARRIER TERMINAL TYPE 1 SPECIALS.
- PAVEMENT MARKING SHALL BE DONE ACCORDING TO STANDARD 780001, EXCEPT AS FOLLOWS:
 1. ALL WORDS, SUCH AS ONLY, SHALL BE 8 FEET HIGH.
 2. ALL NON-FREEWAY ARROWS SHALL BE THE LARGE SIZE.
 3. THE DISTANCE BETWEEN YELLOW NO-PASSING LINES SHALL BE 8", NOT 7" AS SHOWN IN THE DETAIL OF TYPICAL LANE AND EDGE LINES.
- THE CONTRACTOR WILL BE REQUIRED TO FURNISH 5-1/2" HIGH BRASS STENCILS AS APPROVED BY THE ENGINEER AND INSTALL STATIONING AT 250' INTERVALS. STATIONING SHALL BE PLACED ON BOTH LANES OF 2 LANE HIGHWAYS AND ON THE OUTSIDE LANES IN BOTH DIRECTIONS OF 4 LANE HIGHWAYS. THE STATIONS SHALL BE PLACED 6" INSIDE THE PAVEMENT MARKING EDGE SO THEY CAN BE READ FROM THE SHOULDER. THIS WORK WILL BE INCLUDED IN THE COST OF THE FINAL PAVEMENT SURFACE.
- PERMANENT SURVEY MARKERS, TYPE II SHALL BE CAST-IN-PLACE AS SHOWN ON HIGHWAY STANDARD 667101. A MARKER SHALL BE PLACED NEAR EACH STRUCTURE AS DIRECTED BY THE ENGINEER.
- THE CONTRACTOR SHALL BE RESPONSIBLE FOR PROTECTING UTILITY PROPERTY DURING CONSTRUCTION OPERATIONS AS OUTLINED IN ARTICLE 107.31 OF THE STANDARD SPECIFICATIONS. A MINIMUM OF 48 HOURS ADVANCE NOTICE IS REQUIRED FOR NON-EMERGENCY WORK. THE JULIE NUMBER IS 800-892-0123. THE FOLLOWING LISTED UTILITIES LOCATED WITHIN THE PROJECT LIMITS OR IMMEDIATELY ADJACENT TO THE PROJECT CONSTRUCTION LIMITS ARE MEMBERS OF JULIE:

COMMONWEALTH EDISON COMPANY	MR. MIKE LENOX	(815)-490-2869
SBC/AMERITECH TELEPHONE COMPANY	MR. JEREMY SCHNACK	(309)-793-4456
CITIZENS/FRONTIER	MR. MARK BURKS	(217)-854-4013
ALDRIDGE ELECTRIC	MR. HARLAN SCHMIDT	(815)-467-0428
- THE CONTRACTOR SHALL ONLY USE STATE ROUTES AND DETOUR ROUTES FOR HAULING MATERIALS AND EQUIPMENT. THERE WILL BE NO EXCEPTIONS UNLESS WRITTEN PERMISSION IS GIVEN FROM A JURISDICTION, TOWNSHIP OR COUNTY. A RECORD OF THIS AUTHORIZATION SHALL BE GIVEN TO THE RESIDENT ENGINEER.
- THE RESIDENT ENGINEER PRIOR TO CLOSING THE ROAD AND AFTER THE PROJECT IS FINISHED SHALL CONTACT THE CORRESPONDING TOWNSHIPS OF LYNDON AND HOPKINS AND WHITESIDE COUNTY TO VIDEO TAPE THE FOLLOWING ROADS: WALNUT, MELLOTS, MATZNICK, YAGER AND BLACK ROADS.
- THE ROADWAY SHALL NOT BE CLOSED PRIOR TO APRIL 24, 2006 AND WHEN RESTRICTED WEIGHT LIMITS ARE REMOVED FROM SURROUNDING ROADS.
- CADD DATA WILL BE AVAILABLE TO CONTRACTORS AND CONSULTANTS WORKING ON THIS PROJECT. THIS INFORMATION WILL BE PROVIDED UPON REQUEST AS MICROSTATION CADD FILES AND GEOPAK COORDINATE GEOMETRY FILES ONLY. IF DATA IS REQUIRED IN OTHER FORMATS IT WILL BE YOUR RESPONSIBILITY TO MAKE THESE CONVERSIONS. IF ANY DISCREPANCY OR INCONSISTENCY ARISES BETWEEN THE ELECTRONIC DATA AND THE INFORMATION ON THE HARD COPY, THE INFORMATION ON THE HARD COPY SHOULD BE USED. CONTACT THE DISTRICT'S PROJECT ENGINEER TO REQUEST THESE FILES.
- THE CONTRACTOR SHALL COORDINATE CONSTRUCTION ACTIVITIES WITH UTILITY COMPANIES.
- THE CONTRACTOR WILL NOT BE ALLOWED TO SET UP A YARD OR FIELD OFFICE ON STATE PROPERTY WITHOUT WRITTEN PERMISSION FROM THE DEPARTMENT.
- ALL DIMENSIONS SHOWN ARE IN FEET UNLESS OTHERWISE NOTED. PAVEMENT THICKNESS, CULVERT SIZE, CONDUIT SIZE AND MARKING WIDTHS ARE SHOWN IN INCHES UNLESS NOTED.
- WHERE SECTION OR SUB-SECTION MONUMENTS ARE ENCOUNTERED, THE ENGINEER SHALL BE NOTIFIED BEFORE SUCH MONUMENTS ARE REMOVED. THE CONTRACTOR SHALL PROTECT AND CAREFULLY PRESERVE ALL MONUMENTS OR OTHERWISE REFERENCE THEIR LOCATION. THE CONTRACTOR WILL BE RESPONSIBLE FOR HAVING AN AUTHORIZED SURVEYOR RE-ESTABLISH ANY SECTION OR SUB-SECTION MONUMENTS DESTROYED BY HIS OPERATIONS.
- ONLY THOSE TREES DESIGNATED BY THE ENGINEER SHALL BE REMOVED. THE CONTRACTOR SHALL PROTECT ALL REMAINING TREES FROM DAMAGE DUE TO HIS OPERATIONS.
- ALL SAW CUTTING OF EXISTING PAVEMENT SHALL BE CONSIDERED INCLUDED IN PAVEMENT REMOVAL. THE MINIMUM SAW CUT DEPTH IN THE PAVEMENT SHALL BE FULL DEPTH OF THE EXISTING PAVEMENT UNLESS OTHERWISE SPECIFIED IN A DETAIL IN THE PLANS OR BY THE ENGINEER.
- ACCORDING TO IDOT BDE PROCEDURE MEMORANDUM 99-34 AND OPERATIONS POLICY 5-1800, ALL UNMOWED AREAS SHOULD BE DESIGNATED IN THE PLANS AND SEEDED WITH THE APPROPRIATE NATIVE SEEDING SELECTIONS FROM CLASS 4, PER DIRECTIVE OF THE DECEMBER 8, 1999 STUDIES AND PLANS ENGINEER'S MEMORANDUM.

- ACCORDING TO IDOT BDE PROCEDURE MEMORANDUM 99-34 AND OPERATIONS POLICY 5-1800, ALL UNMOWED AREAS SHOULD BE DESIGNATED IN THE PLANS AND SEEDED WITH THE APPROPRIATE NATIVE SEEDING SELECTIONS FROM CLASS 4, PER DIRECTIVE OF THE DECEMBER 8, 1999 STUDIES AND PLANS ENGINEER'S MEMORANDUM.
- A QUANTITY OF TRENCH BACKFILL IS PROVIDED IN THE PLANS FOR THE CONCRETE BOX CULVERT. PLACEMENT AND COMPACTION OF TRENCH BACKFILL FOR ACROSS ROAD (AR) CULVERTS SHALL CONFORM TO ARTICLE 502.10 OF THE STANDARD SPECIFICATIONS EXCEPT THAT THE MATERIAL SHALL BE COMPACTED TO A MINIMUM OF 95% OF THE STANDARD LABORATORY DENSITY. THE ENTIRE EXCAVATION WITHIN 2' OUTSIDE OF EACH SHOULDER SHALL BE BACKFILLED WITH TRENCH BACKFILL MATERIAL. THE PAY LIMITS FOR TRENCH BACKFILL SHALL EXTEND FROM 2' OUTSIDE EACH VERTICAL CULVERT WALL AT THE BASE OF THE CULVERT FLOOR AND SHALL EXTEND VERTICALLY TO THE BOTTOM OF THE PROPOSED SUBGRADE. THIS WORK SHALL BE INCLUDED IN THE UNIT PRICE PER CUBIC YARD FOR TRENCH BACKFILL.
- THE FOLLOWING QUANTITIES HAVE BEEN ESTIMATED FOR THE GOOD NEIGHBOR POLICY AS NEEDED: 66300105 CALCIUM CHLORIDE APPLIED - 14 TON, X4066414 BITUMINOUS CONCRETE SURFACE COURSE, SUPERPAVE, MIXC N50 230 TONS, 31101000 SUB-BASE GRANULAR MATERIAL TYPE B - 100 TON.

POLICY GUIDELINES:

ALL TREES REMOVED FROM THE PROJECT AREA (4 TREES, MAX.) FOR CONSTRUCTION OR MAINTENANCE PURPOSES WILL BE REPLACED WITH DECIDUOUS TREE SPECIES WHICH ARE NATIVE TO THE DISTRICT 2 AREA. TREES WILL BE REPLACED ACCORDING TO THE IDOT DEPARTMENTAL POLICY D & E - 18 (SEPTEMBER 18, 2002). THE LOCATION OF THE REPLACEMENT TREES SHALL BE DETERMINED BY THE DISTRICT 2 LANDSCAPE ARCHITECT.

COMMITMENTS:

105 BR-2
 THE ISLAND LOCATED AT THE SOUTH EDGE OF THE BRIDGE WILL NOT BE DISTURBED WITH THE PLACEMENT OF FILL OR THE REMOVAL OF MATERIAL DURING CONSTRUCTION TO AVOID WETLAND IMPACTS.

105-T
 CONSTRUCTION ACTIVITIES SHALL NOT GO BEYOND THE CONSTRUCTION LIMITS SOUTH OF THE BRIDGE AND EAST OF THE DITCH AS SHOWN IN THE PROJECT PLANS. THIS WILL AVOID IMPACTING A POPULATION OF WILD PETUNIAS IN THIS AREA.

REVISIONS	
NAME	DATE

ILLINOIS DEPARTMENT OF TRANSPORTATION
FAS ROUTE 1197 (MOLINE ROAD)
SECTION 105 BR-2 & 105-T
WHITESIDE COUNTY

GENERAL NOTES
 DRAWN BY: HLC

DATE	BY	REVISIONS

#DATE#
 #DATE-TIME#
 #DGN-SPEC#
 #REF#

FAS ROUTE	SECTION	COUNTY	TOTAL SHEETS	SHEET NO
1197	105 BR-2 & 105-T	WHITESIDE	59	80
STA.		TO STA.		
EXISTING CONDITIONS:				

CONTRACT 64421

GENERAL NOTES

47. THE CONTRACTOR SHALL REMOVE ALL ENTRANCE CULVERTS IN CONDITION FOR REUSE WHICH ARE NOT TO BE LEFT IN PLACE. THEY SHALL BE CLEANED AND STORED ALONG THE RIGHT OF WAY AS DIRECTED. IN NO CASE SHALL THEY BE ROUGHLY HANDLED OR SHOVED BY HEAVY MACHINERY. UNUSABLE MATERIAL SHALL BE DISPOSED OF BY THE CONTRACTOR AT HIS EXPENSE. COST OF WORK TO BE INCLUDED IN THE CONTRACT UNIT PRICE FOR 40200800 AGGREGATE SURFACE COURSE TYPE B.

48. HOPKINS & LYNDON TOWNSHIP COMMISSIONER & WHITESIDE COUNTY ENGINEER SHALL BE INFORMED 1 WEEK PRIOR TO THE CONSTRUCTION BEGINING. ABOVE LISTED SHALL BE INVITED TO THE PRE-CONSTRUCTION MEETING.

49. FOLLOWING ARE THE KNOWN UTILITIES LOCATED WITHIN THE PROJECT LIMITS OR IMMEDIATELY ADJACENT TO THE PROJECT CONSTRUCTION LIMITS WHICH ARE NOT MEMBERS OF J.U.L.I.E. AND SHOULD BE NOTIFIED INDIVIDUALLY BY THE CONTRACTOR:

MR. DENNIS SCHULTZ
IDOT - DISTRICT 2
819 DEPOT AVE.
DIXON, IL 61021

50. CADD DATA WILL BE AVAILABLE TO CONTRACTORS AND CONSULTANTS WORKING ON THIS PROJECT. THIS INFORMATION WILL BE PROVIDED UPON REQUEST AS MICROSTATION CADD FILES AND GEOPAK COORDINATE GEOMETRY FILES ONLY. IF DATA IS REQUIRED IN OTHER FORMATS IT WILL BE YOUR RESPONSIBILITY TO MAKE THESE CONVERSIONS. IF ANY DISCREPANCY OR INCONSISTENCY ARISES BETWEEN THE ELECTRONIC DATA AND THE INFORMATION ON THE HARD COPY, THE INFORMATION ON THE HARD COPY SHOULD BE USED. CONTACT THE DISTRICT'S PROJECT ENGINEER TO REQUEST THESE FILES.

51. A QUANTITY OF CALCIUM CHLORIDE APPLIED HAS BEEN INCLUDED IN THE CONTRACT TO BE APPLIED TO MELLOTT'S ROAD AS NEEDED TO CONTROL DUST. THE RESIDENT ENGINEER SHALL DETERMINE QUANTITY AS NEEDED.

52. A QUANTITY OF 100 TON OF SUB BASE GRANULAR MATERIAL B HAS BEEN INCLUDED TO BE USED TO MAINTAIN MELLOTT'S ROAD AS DETERMINED BY THE RESIDENT ENGINEER. INCLUDED WITHIN THIS PAY ITEM SHALL BE THE SPREADING OF THE MATERIAL AND COMPACTION TO SATISFACTION OF THE RESIDENT ENGINEER.

POLICY GUIDELINES:
ALL TREES REMOVED FROM THE PROJECT AREA (4 TREES, MAX.) FOR CONSTRUCTION OR MAINTENANCE PURPOSES WILL BE REPLACED WITH DECIDUOUS TREE SPECIES WHICH ARE NATIVE TO THE DISTRICT 2 AREA. TREES WILL BE REPLACED ACCORDING TO THE IDOT DEPARTMENTAL POLICY D & E - 18 (SEPTEMBER 18, 2002). THE LOCATION OF THE REPLACEMENT TREES SHALL BE DETERMINED BY THE DISTRICT 2 LANDSCAPE ARCHITECT.

COMMITMENTS:
105 BR-2
THE ISLAND LOCATED AT THE SOUTH EDGE OF THE BRIDGE WILL NOT BE DISTURBED WITH THE PLACEMENT OF FILL OR THE REMOVAL OF MATERIAL DURING CONSTRUCTION TO AVOID WETLAND IMPACTS.
105-T
CONSTRUCTION ACTIVITIES SHALL NOT GO BEYOND THE CONSTRUCTION LIMITS SOUTH OF THE BRIDGE AND EAST OF THE DITCH AS SHOWN IN THE PROJECT PLANS. THIS WILL AVOID IMPACTING A POPULATION OF WILD PETUNIAS IN THIS AREA.

PLAN	SUBMITTED	DATE
NOTE BOOK	BY	
NO.		
	PLOTTED	
	BY	
	DATE	
	BY	
	DATE	
	BY	
	DATE	
	BY	
	DATE	
	BY	
	DATE	
	BY	
	DATE	

##DATE##
DATE-TIME
DRAW-SPEC
REF
FILENAME

REVISIONS	
NAME	DATE

ILLINOIS DEPARTMENT OF TRANSPORTATION
FAS ROUTE 1197 (MOLINE ROAD)
SECTION 105 BR-2 & 105-T
WHITESIDE COUNTY
GENERAL NOTES
DRAWN BY: HLC

PAVEMENT SCHEDULE

FAS ROUTE	SECTION	COUNTY	TOTAL SHEETS	SHEET NO
1197	105 BR-2 & 105-T WHITESIDE	WHITESIDE	59	9
STA.		TO STA.		
EXISTING CONDITIONS:				

BRIDGE APPROACH PAVEMENT (DRAIN DETAIL) CONTRACT 64421
STANDARD 609006

LOCATION	TYPE B INLET BOX, STANDARD 609006 (EACH)	PIPE DRAINS 12" (FOOT)	METAL END SECTIONS 12" (EACH)	CONCRETE THRUST BLOCKS (EACH)
SECTION 105 BR-2 230+43.0 RT 230+51.5 LT	1 1	16 16	1 1	1 1
SCHEDULE TOTAL	2	32	2	2

PIPE CULVERT SCHEDULE

LOCATION	PIPE CULVERTS CLASS D TYPE 1, 18" (FOOT)	METAL END SECTIONS 18" (EACH)
SECTION 105 BR-2 225+86.40 29.7 LT 228+00.00 32.4 LT 231+00.00 31.9 LT 231+00.00 33.0 RT 231+00.00 31.1 LT	226+34.20 29.7 LT 228+65.50 37.0 LT 231+53.31 31.9 LT 231+53.31 31.1 RT 231+00.00 33.0 RT	48 66 54 54 54
SUBTOTAL SECTION 105 BR-2	222	8
SECTION 105-T 427+11.50 30.5 LT 428+89.60 29.0 LT 426+85.50 28.0 RT 428+56.83 33.0 RT	427+69.17 33.2 LT 429+62.00 29.9 LT 427+32.13 33.6 RT 429+58.88 30.0 RT	58 73 47 103
SUBTOTAL SECTION 105-T	281	8
SCHEDULE TOTAL	503	16

TREE REMOVAL SCHEDULE

LOCATION	TREE REMOVAL (6-15 UNITS DIAMETER) (UNITS)
SECTION 105 BR-2 230+02.5 39.52 LT 229+79.8 46.60 RT 230+38.0 37.20 RT 230+38.0 37.20 RT 230+38.0 37.20 RT 230+38.0 37.20 RT 230+38.0 37.20 RT 230+38.0 37.20 RT	14 14 12 12 12 12 6 6
SUBTOTAL SECTION 105 BR-2	100
SECTION 105-T 428+21.0 34.30 RT 428+21.0 34.30 RT 428+21.0 34.30 RT	10 6 6
SUBTOTAL SECTION 105-T	22
SCHEDULE TOTAL	122

PERMANENT SURVEY MARKERS
TYPE II SCHEDULE

LOCATION	PERMANENT SURVEY MARKERS TYPE II (EACH)
SECTION 105 BR-2	1
SECTION 105-T	1
SCHEDULE TOTAL	2
NOTE: LOCATIONS TO BE DETERMINED BY THE ENGINEER	

ILLINOIS DEPARTMENT OF TRANSPORTATION
FAS ROUTE 203 (MOLINE ROAD)
SECTION 105 BR-2
WHITESIDE COUNTY

SCHEDULE OF QUANTITIES

DRAWN BY: HLC

PLOT DATE: Thu Nov 18 11:35 2004 #FILENAME#

SCHEDULE OF QUANTITIES

LOCATION	LENGTH	BIT SUR RM (VAR DP)	PAVEMENT REMOVAL	SUB GRAN MAT A 12	BR APPR PAVT CON (FLX)	LEV BIND MM SUPER N50	LEV BIND HM SUPER N50	BC SC SUPER "C" N50	BC BC SUP IL-19.0 N50	BC BC WIDE SUP 10	AGG SHLDS B	AGG SURF CSE B	BR APPR PAVT	SUB GRAN MAT B	CALCIUM CHLORIDE APPLIED
		(SQ YD)	(SQ YD)	(SQ YD)	(SQ YD)	(TON)	(TON)	(TON)	(TON)	(SQ YD)	(TON)	(TON)	(SQ YD)	(TON)	(TON)
SECTION 105 BR-2 224+00.00 224+90.00 224+00.00 228+71.72 230+63.27 232+00.00 230+75.00 232+00.00 228+65.50 229+58.29 230+05.43 230+69.49 228+65.50 228+71.72 230+63.27 230+69.49 224+00.00 225+00.00 231+00.00 231+50.00 224+00.00 228+65.50 230+69.49 232+00.00 225+00.00 228+65.50 230+69.49 231+00.00 228+71.72 229+01.72 230+33.27 230+63.27 226+10.00 LT 228+70.50 LT 228+63.50 RT 230+71.50 LT 230+64.50 RT MELLOTT'S RD.	90.00 471.72 136.73 123.00 92.79 64.06 6.20 6.20 100.00 50.00 465.50 130.51 365.50 30.51 30.00 30.00 6.20 2.50 2.50 2.50 2.70	246.00 234.00 168.00	234.00 168.00	17.97 17.97	4.60 1.00	0.5 0.5	151.20 42.40	482.80 4.80	118.96 23.20	193.40 103.50	53.05	106.97 106.97	50	0 0	
SUBTOTAL SECTION 105 BR-2 ROUNDED SUBTOTAL SECTION 105 BR-2	494.60 495	402.00 402	50.20 51	35.94 36	5.60 6	1.0 1	193.60 194	487.60 488	142.16 143	296.90 297	53.05 54	213.94 214	50 50	0 0	
SECTION 105-T 425+38.00 426+05.00 425+38.00 427+75.17 428+50.83 429+44.05 428+56.83 429+00.00 427+69.17 428+56.83 427+69.17 427+75.17 428+50.83 428+56.83 426+00.00 426+50.00 428+56.83 429+00.00 425+38.00 427+69.17 428+56.83 429+00.00 426+50.00 427+69.17 427+75.17 428+05.17 428+20.83 428+50.83 427+73.70 LT 427+73.70 RT 428+52.30 LT 428+52.30 RT 429+40.00 RT MELLOTT'S RD.	67.00 237.17 93.22 43.00 87.66 6.00 6.00 50.00 43.17 231.17 43.17 119.17 30.00 30.00 2.50 2.50 2.50 2.50	177.90 112.70	230.40	19.30 17.33 19.30 17.33	3.80 0.40	0.5 0.5	75.10 14.00	67.80	53.94 11.99	137.50 91.60	56.03	106.67 106.67	50 50	14 14	
SUBTOTAL SECTION 105-T ROUNDED SUBTOTAL SECTION 105-T	290.60 291	230.40 231	48.60 49	34.66 35	4.20 5	1.0 1	89.10 90	67.80 68	65.93 66	229.20 230	56.03 57	213.34 214	50 50	14 14	
TOTAL	786	633	100	71	11	2	284	556	209	527	111	428	100	14	

THE FOLLOWING QUANTITIES HAVE BEEN ESTIMATED FOR THE GOOD NEIGHBOR POLICY AS NEEDED: 66300105 CALCIUM CHLORIDE APPLIED - 14 TON, X4066414 BITUMINOUS CONCRETE SURFACE COURSE, SUPERPAVE, MIXC N50 230 TONS, 31101000 SUB-BASE GRANULAR MATERIAL TYPE B - 100 TON.

DELINEATOR SCHEDULE

STATION	OFFSET	DELINEATORS (EACH)
SECTION 105 BR-2 230+43.00 30.8 RT 230+51.50 31.6 LT		1 1
SCHEDULE TOTAL		2

DATE	
BY	
REVISIONS	
NO.	
PLAN	
NOTE BOOK	
NO.	
REVISIONS	
NO.	
DATE	
BY	
REVISIONS	
NO.	
PLAN	
NOTE BOOK	
NO.	

DATE TIME
DGN-SPEC
REF
REF

FAS ROUTE	SECTION	COUNTY	TOTAL SHEETS	SHEET NO
1197	105 BR-2 & 105-T	WHITESIDE	59	10
STA. TO STA.				
EXISTING CONDITIONS:				

CONTRACT 64421

EARTHWORK SCHEDULE

LOCATION	EARTH EXCAVATION (CU YD)	STRUCTURE EXCAVATION (CU YD)	EARTH EXCAVATION TO BE USED AS EMBANKMENT ADJUSTED FOR SHRINKAGE (CU YD)	REMOVAL AND DISPOSAL OF UNSUITABLE MATERIAL (CU YD)	EMBANKMENT (CU YD)	EARTHWORK BALANCE WASTE (+) OR SHORTAGE (-) (CU YD)	TOPSOIL FURNISH AND PLACE 4" (SQ YD)	TRENCH BACKFILL (CU YD)
SECTION 105 BR-2 STA 224+00.00 TO 229+01.72 STA 230+33.27 TO 232+00.00 STRUCTURE EXCAVATION EXCAVATION BETWEEN PROPOSED ABUTMENTS	289 73 959	121	246 62 816		655 106	-409 -44 816	1,890 648	
SUBTOTAL SECTION 105 BR-2	1,321	121	1,124	0	761	363	2,538	
SECTION 105-T STA 425+38.00 TO 429+44.05 STA 427+90 REMOVAL OF STRUCTURE #2	169	0	143	33	296	-153	1,467	73
SUBTOTAL SECTION 105-T	169	0	143	33	296	-153	1,467	
SCHEDULE TOTAL	1,490	121	1,267	33	1,057	210	4,005	73

- NOTES:
1. SHRINKAGE FACTOR USED = 15%
2. TOPSOIL FURNISH AND PLACE IS NOT INCLUDED IN ANY OTHER QUANTITIES.
3. (*) PROVIDED FOR INFORMATION ONLY.

PAVEMENT MARKING SCHEDULE

LOCATION	PAINT PAVEMENT MARKING - LINE 4	RAISED REF PVT MKR (EACH)	RAISED REF PVT MKR BR (EACH)
STATION	WHITE EDGE LINE (FOOT)		
SECTION 105 BR-2			
224+00.00 12 LT 232+00.00 12 LT	800		
224+00.00 12 RT 232+00.00 12 RT	800		
224+00.00 0 232+00.00 0			200
224+00.00 0 228+71.21 0		13	
228+71.21 0 230+63.79 0			6
230+63.79 0 232+00.00 0		4	
FIRST APPLICATION SUBTOTAL	1,800		
SECOND APPLICATION SUBTOTAL	1,800		
SECTION 105 BR-2 SUBTOTAL	3,600	17	6
SECTION 105-T			
425+38.00 12 LT 429+00.00 12 LT	362		
425+38.00 12 RT 429+00.00 12 RT	362		
425+38.00 0 429+00.00 0			91
425+38.00 0 427+75.17 0		7	
427+75.17 0 428+50.83 0			3
428+50.83 0 429+00.00 0		2	
FIRST APPLICATION SUBTOTAL	815		
SECOND APPLICATION SUBTOTAL	815		
SECTION 105 BR-T SUBTOTAL	1,630	9	3
SCHEDULE TOTAL	5,230	26	9

GUARDRAIL SCHEDULE

LOCATION	R & R STEEL PLATE BEAM GUARDRAIL, TYPE A (FOOT)	R & R TRAFFIC BARRIER TERMINAL, TYPE 1 (EACH)	TRAFFIC BARRIER TERMINAL, TYPE 6A (EACH)	R & R TRAFFIC BARRIER TERMINAL, TYPE 6 (EACH)	GUARDRAIL MARKERS (EACH)	TERMINAL MARKER DIRECT APPLIED (EACH)
SECTION 105 BR-2						
228+19.96 RT 228+69.96 RT		1				1
228+69.96 RT 229+01.21 RT				1		
228+19.96 LT 228+69.96 LT		1				1
228+69.96 LT 229+01.21 LT				1		
230+33.79 RT 230+65.04 RT				1		
230+65.04 RT 231+15.04 RT		1				1
230+33.79 LT 230+65.04 LT				1		
230+65.04 LT 231+15.04 LT		1				1
SUBTOTAL SECTION 105 BR-2	0	4	0	4	0	4
SECTION 105-T						
426+98.95 RT 427+48.93 RT		1			2	1
427+48.93 RT 427+73.92 RT	25		1			
427+73.92 RT 428+05.13 RT						
427+23.95 LT 427+73.92 LT		1				1
427+73.92 LT 428+05.13 LT			1			
428+28.83 RT 428+52.08 RT					1	
428+52.08 RT 429+05.05 RT		1				1
428+28.83 LT 428+52.08 LT			1			
428+52.08 LT 428+77.06 LT	25				2	
428+77.06 LT 429+27.03 LT		1				1
SUBTOTAL SECTION 105-T	50	4	4	0	4	4
TOTAL	50	8	4	4	4	8

FIELD TILE

LOCATION	EXPLORATION TRENCH 52" DEPTH (FT)	PIPE DRAINS 6" (FT)	8" (FT)	10" (FT)	12" (FT)	FIELD TILE JUNCTION VAULTS 3' DIA (EACH)	MISCELLANEOUS CONCRETE (CU YD)
SECTION 105-T	50	50	50	50	50		1
FROM OTHER SCHEDULES					32		
TOTAL	50	50	50	50	82	1	1

* CONTINGENCY QUANTITY IN THE EVENT FIELD TILE IS ENCOUNTERED, CONTACT HOPKINS TOWNSHIP COMMISSIONER, ARLYN FOLKERS, 815-626-3170 AS REQUIRED.

REVISIONS	
NAME	DATE

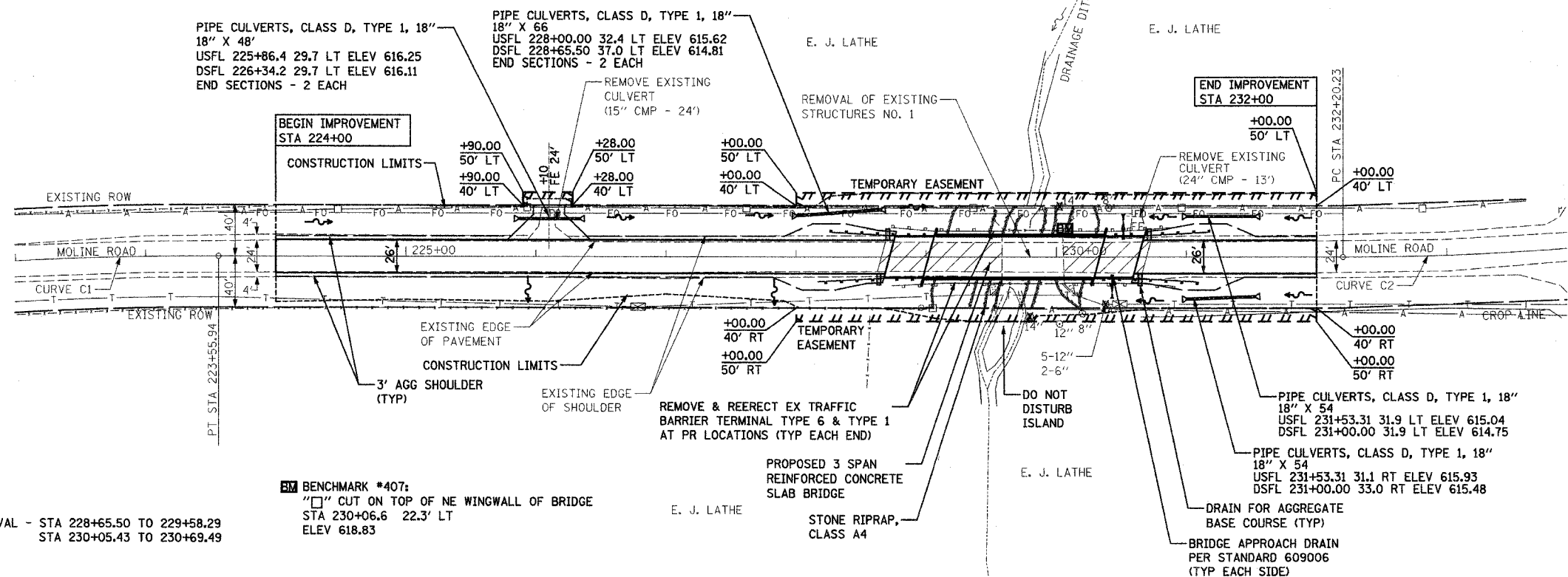
ILLINOIS DEPARTMENT OF TRANSPORTATION
FAS ROUTE 203 (MOLINE ROAD)
SECTION 105 BR-2
WHITESIDE COUNTY
SCHEDULE OF QUANTITIES
DRAWN BY: HLC

PLAN	SURVEYED	DATE
	BY	
	DATE	
	BY	
	DATE	
	BY	
	DATE	
	BY	
	DATE	
	BY	
	DATE	

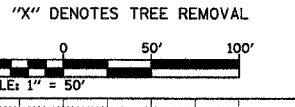
EXIST. CURVE C1
 PI STA. = 220+67.76
 $\Delta = 11^\circ 34' 00''$ (RT)
 $D = 2^\circ 00' 00''$
 $R = 2,864.79'$
 $T = 290.15'$
 $L = 578.33'$
 $E = 14.66'$
 P.C. STA. = 217+77.61
 P.T. STA. = 223+55.94

PAVEMENT REMOVAL - STA 228+65.50 TO 229+58.29
 STA 230+05.43 TO 230+69.49

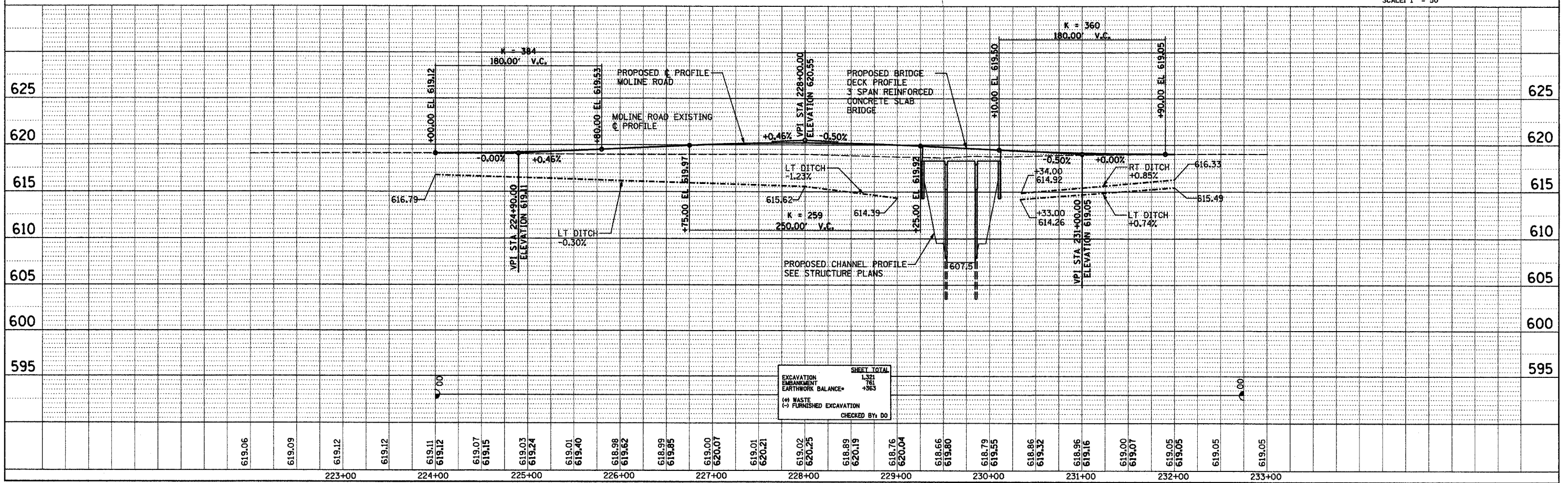
BENCHMARK #407:
 "X" CUT ON TOP OF NE WINGWALL OF BRIDGE
 STA 230+06.6 22.3' LT
 ELEV 618.83



EXIST. CURVE C2
 PI STA. = 234+44.16
 $\Delta = 11^\circ 54' 00''$ (LT)
 $D = 2^\circ 40' 00''$
 $R = 2,148.59'$
 $T = 223.93'$
 $L = 446.25'$
 $E = 11.64'$
 P.C. STA. = 232+20.23
 P.T. STA. = 236+66.48



PROFILE	SURVEYED	DATE
	BY	
	DATE	
	BY	
	DATE	
	BY	
	DATE	
	BY	
	DATE	
	BY	
	DATE	

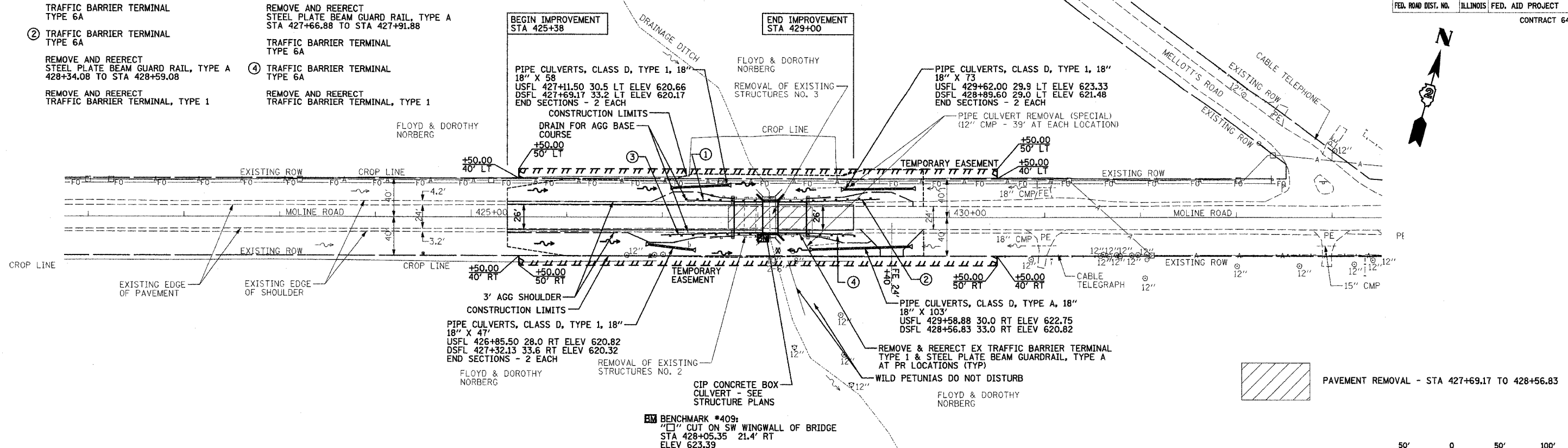


EXCAVATION	1,321
EMBANKMENT	761
EARTHWORK BALANCE	+560
WASTE	
FURNISHED EXCAVATION	
CHECKED BY: DO	

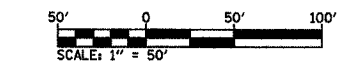
F.A.S. RTE.	SECTION	COUNTY	TOTAL SHEETS	SHEET NO.
1197	105-T	WHITESIDE	59	12
STA. 425+38		TO STA. 429+00		
FED. ROAD DIST. NO.		ILLINOIS FED. AID PROJECT		
CONTRACT 64421				



- ① REMOVE AND REERECT TRAFFIC BARRIER TERMINAL, TYPE 1
TRAFFIC BARRIER TERMINAL TYPE 6A
- ② TRAFFIC BARRIER TERMINAL TYPE 6A
REMOVE AND REERECT STEEL PLATE BEAM GUARD RAIL, TYPE A 428+34.08 TO STA 428+59.08
REMOVE AND REERECT TRAFFIC BARRIER TERMINAL, TYPE 1
- ③ REMOVE AND REERECT TRAFFIC BARRIER TERMINAL, TYPE 1
REMOVE AND REERECT TRAFFIC BARRIER TERMINAL, TYPE 6A
REMOVE AND REERECT STEEL PLATE BEAM GUARD RAIL, TYPE A STA 427+66.88 TO STA 427+91.88
- ④ TRAFFIC BARRIER TERMINAL TYPE 6A
REMOVE AND REERECT TRAFFIC BARRIER TERMINAL, TYPE 1

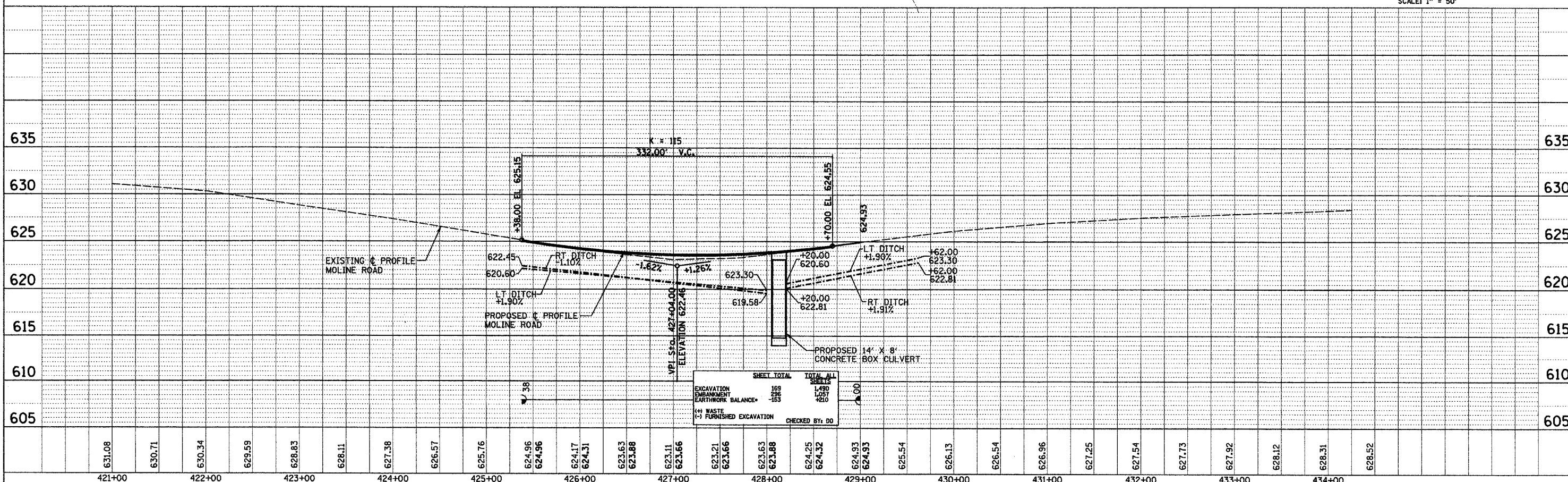


BENCHMARK #409:
" " CUT ON SW WINGWALL OF BRIDGE
STA 428+05.35 21.4' RT
ELEV 623.39



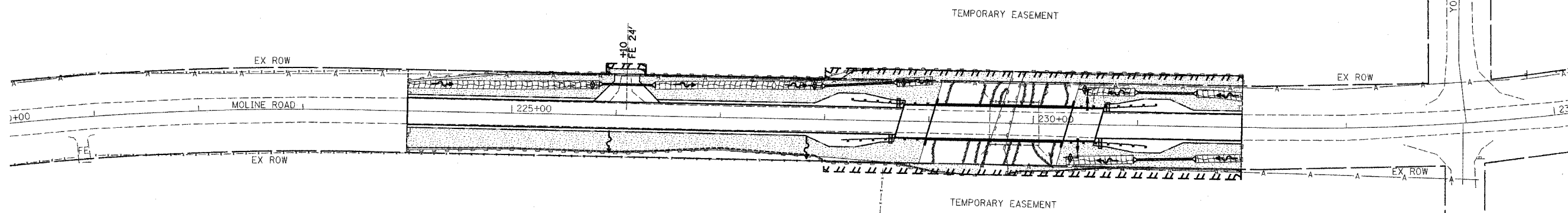
PLAN
SURVEYED
PLOTTED
CHECKED
DATE

PROFILE
SURVEYED
PLOTTED
CHECKED
DATE



SHEET TOTAL	TOTAL ALL SHEETS
EXCAVATION	1,490
EMBANKMENT	1,057
EARTHWORK BALANCE	433
(+) WASTE	
(-) FURNISHED EXCAVATION	
CHECKED BY: DO	

FILE NO.	SECTION	COUNTY	TOTAL SHEETS	SHEET NO.
1197	105 BR-2	WHITESIDE	59	13
STA. 224+00		TO STA. 232+00		
EXISTING CONDITIONS:				
CONTRACT 64421				



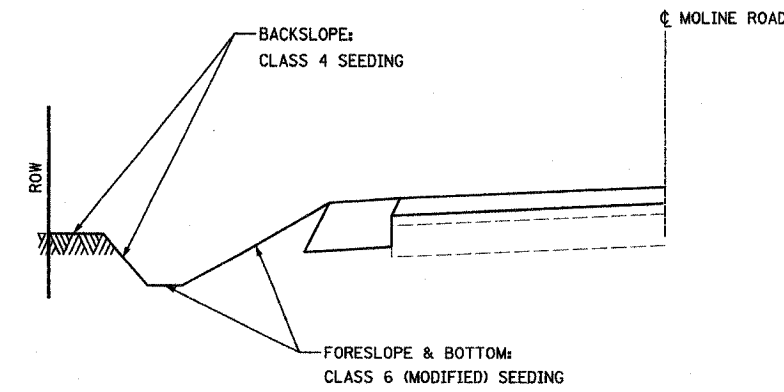
DATE	
BY	
SURVEYED	
ALIGNED	
CHECKED	
DATE	
FILE NAME	
NO.	

LEGEND

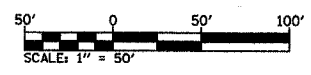
- PERIMETER EROSION BARRIER
- TEMPORARY DITCH CHECK
- EROSION CONTROL BLANKET
- SEEDING AND MULCH METHOD 2
- FLOW LINES

**EROSION AND SEDIMENT CONTROL
GENERAL NOTES**

- 1 - IT IS THE RESPONSIBILITY OF THE CONTRACTOR TO INSURE THAT SEDIMENT TRANSPORT OFF THE SITE IS REDUCED BY A COMBINATION OF MINIMIZATION OF EROSION AT THE SOURCE AND INSTALLATION OF SPECIFIC MEASURES TO CONTROL OR REDUCE THE TRANSPORT OF SEDIMENT. A COPY OF THE EROSION AND SEDIMENT CONTROL SCHEDULE BEING IMPLEMENTED BY THE CONTRACTOR WILL BE ON THE CONSTRUCTION SITE AT ALL TIMES.
- 2 - TO THE MAXIMUM EXTENT POSSIBLE, ALL FLOWS ORIGINATING OFF THE CONSTRUCTION SITE WILL BE DIVERTED AROUND DISTURBED AREAS OR WILL BE CONVEYED THROUGH THE SITE IN SUCH A MANNER THAT UNTREATED ON-SITE RUNOFF DOES NOT MIX WITH THE OFF-SITE RUNOFF.
- 3 - ALL RUNOFF ORIGINATING ON DISTURBED AREAS ASSOCIATED WITH THIS PROJECT WILL PASS THROUGH ONE OR MORE MEASURES THAT WILL MINIMIZE THE OFF-SITE SEDIMENT IMPACTS OF THE CONSTRUCTION ACTIVITY.
- 4 - TOPSOIL, EROSION CONTROL BLANKET AND FERTILIZER NUTRIENTS ARE NOT REQUIRED FOR TEMPORARY EROSION CONTROL SEEDING. SEED BED PREPARATION WILL NOT BE REQUIRED FOR TEMPORARY SEEDING IF THE SOIL IS IN A LOOSE CONDITION. LIGHT DISKING SHALL BE DONE IF THE SOIL IS HARD OR CAKED. BROADCASTING OF THE SEED BY MACHINE OR HAND METHODS AND HYDRAULIC SEEDING OR OTHER METHODS APPROVED BY THE ENGINEER WILL BE ALLOWED FOR TEMPORARY EROSION CONTROL SEEDING.
- 5 - THE CONTRACTOR SHALL DESIGNATE ONE OF HIS EMPLOYEES AS RESPONSIBLE FOR IMPLEMENTATION OF THE EROSION AND SEDIMENT CONTROL PLAN ON ALL DISTURBED AREAS. THIS PERSON IS TO BE KNOWLEDGEABLE ABOUT INSTALLATION AND MAINTENANCE OF THE REQUIRED MEASURES. THIS EMPLOYEE IS TO HAVE THE AUTHORITY TO CARRY OUT THE IMPLEMENTATION OF ANY INSTRUCTIONS CONCERNING THE EROSION AND SEDIMENT CONTROL PLAN GIVEN BY THE ENGINEER. ALL MEASURES WILL BE INSPECTED BY THIS INDIVIDUAL AND THE ENGINEER ON A REGULAR BASIS (AT LEAST ONCE EVERY 7 DAYS) AND AFTER ANY RAINFALL EVENT GREATER THAN 0.5 INCHES.
- 6 - ALL EROSION AND SEDIMENT CONTROL MEASURES ARE TO BE CONSIDERED TEMPORARY. THESE MEASURES WILL BE REMOVED BY THE CONTRACTOR UNLESS DESIGNATED PERMANENT ON THE PLANS OR BY THE ENGINEER.



SEEDING DETAIL



REVISIONS	
NAME	DATE

ILLINOIS DEPARTMENT OF TRANSPORTATION
 FAS ROUTE 1197 (MOLINE ROAD)
 SECTION 105 BR-2
 WHITESIDE COUNTY

EROSION CONTROL PLAN

DRAWN BY: HLC

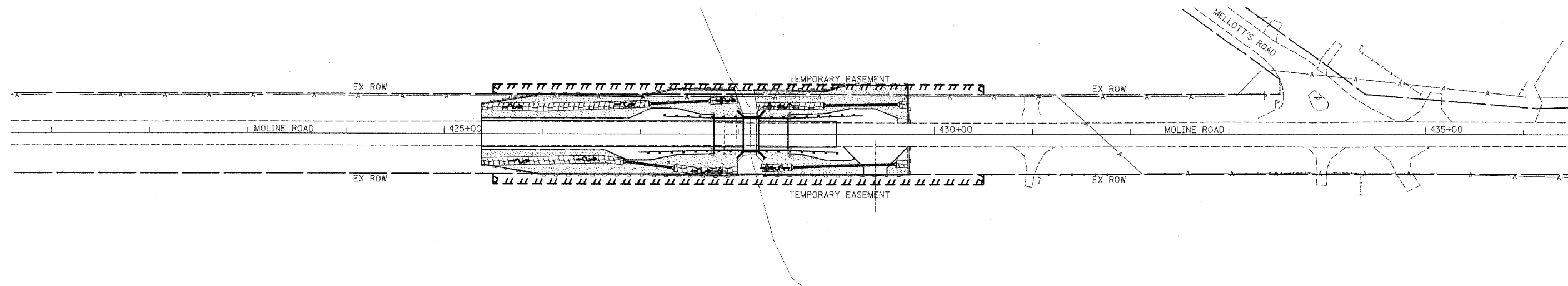
DATE: 11/5/2004
 DATE TIME: 11:46:21 AM
 APP: D05499ER.dgn

THE ROUTE	SECTION	COUNTY	TOTAL SHEETS	SHEET NO
1197	105-T	WHITESIDE	59	14
STA. 425+38		TO STA. 429+00		
EXISTING CONDITIONS:				

CONTRACT 64421



DATE	
BY	
PLAN	
NO.	
REVISIONS	
DATE	
BY	
NO.	
DESCRIPTION	

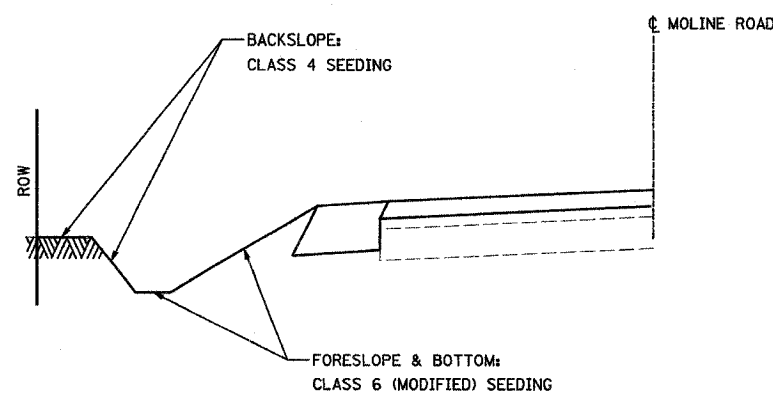


LEGEND

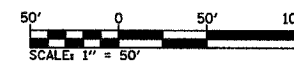
- PERIMETER EROSION BARRIER
- TEMPORARY DITCH CHECK
- EROSION CONTROL BLANKET
- SEEDING AND MULCH METHOD 2
- FLOW LINES

**EROSION AND SEDIMENT CONTROL
GENERAL NOTES**

- 1 - IT IS THE RESPONSIBILITY OF THE CONTRACTOR TO INSURE THAT SEDIMENT TRANSPORT OFF THE SITE IS REDUCED BY A COMBINATION OF MINIMIZATION OF EROSION AT THE SOURCE AND INSTALLATION OF SPECIFIC MEASURES TO CONTROL OR REDUCE THE TRANSPORT OF SEDIMENT. A COPY OF THE EROSION AND SEDIMENT CONTROL SCHEDULE BEING IMPLEMENTED BY THE CONTRACTOR WILL BE ON THE CONSTRUCTION SITE AT ALL TIMES.
- 2 - TO THE MAXIMUM EXTENT POSSIBLE, ALL FLOWS ORIGINATING OFF THE CONSTRUCTION SITE WILL BE DIVERTED AROUND DISTURBED AREAS OR WILL BE CONVEYED THROUGH THE SITE IN SUCH A MANNER THAT UNTREATED ON-SITE RUNOFF DOES NOT MIX WITH THE OFF-SITE RUNOFF.
- 3 - ALL RUNOFF ORIGINATING ON DISTURBED AREAS ASSOCIATED WITH THIS PROJECT WILL PASS THROUGH ONE OR MORE MEASURES THAT WILL MINIMIZE THE OFF-SITE SEDIMENT IMPACTS OF THE CONSTRUCTION ACTIVITY.
- 4 - TOPSOIL, EROSION CONTROL BLANKET AND FERTILIZER NUTRIENTS ARE NOT REQUIRED FOR TEMPORARY EROSION CONTROL SEEDING. SEED BED PREPARATION WILL NOT BE REQUIRED FOR TEMPORARY SEEDING IF THE SOIL IS IN A LOOSE CONDITION. LIGHT DISKING SHALL BE DONE IF THE SOIL IS HARD OR CAKED. BROADCASTING OF THE SEED BY MACHINE OR HAND METHODS AND HYDRAULIC SEEDING OR OTHER METHODS APPROVED BY THE ENGINEER WILL BE ALLOWED FOR TEMPORARY EROSION CONTROL SEEDING.
- 5 - THE CONTRACTOR SHALL DESIGNATE ONE OF HIS EMPLOYEES AS RESPONSIBLE FOR IMPLEMENTATION OF THE EROSION AND SEDIMENT CONTROL PLAN ON ALL DISTURBED AREAS. THIS PERSON IS TO BE KNOWLEDGEABLE ABOUT INSTALLATION AND MAINTENANCE OF THE REQUIRED MEASURES. THIS EMPLOYEE IS TO HAVE THE AUTHORITY TO CARRY OUT THE IMPLEMENTATION OF ANY INSTRUCTIONS CONCERNING THE EROSION AND SEDIMENT CONTROL PLAN GIVEN BY THE ENGINEER. ALL MEASURES WILL BE INSPECTED BY THIS INDIVIDUAL AND THE ENGINEER ON A REGULAR BASIS (AT LEAST ONCE EVERY 7 DAYS) AND AFTER ANY RAINFALL EVENT GREATER THAN 0.5 INCHES.
- 6 - ALL EROSION AND SEDIMENT CONTROL MEASURES ARE TO BE CONSIDERED TEMPORARY. THESE MEASURES WILL BE REMOVED BY THE CONTRACTOR UNLESS DESIGNATED PERMANENT ON THE PLANS OR BY THE ENGINEER.



SEEDING DETAIL



REVISIONS	
NAME	DATE

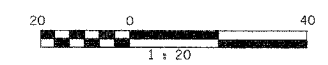
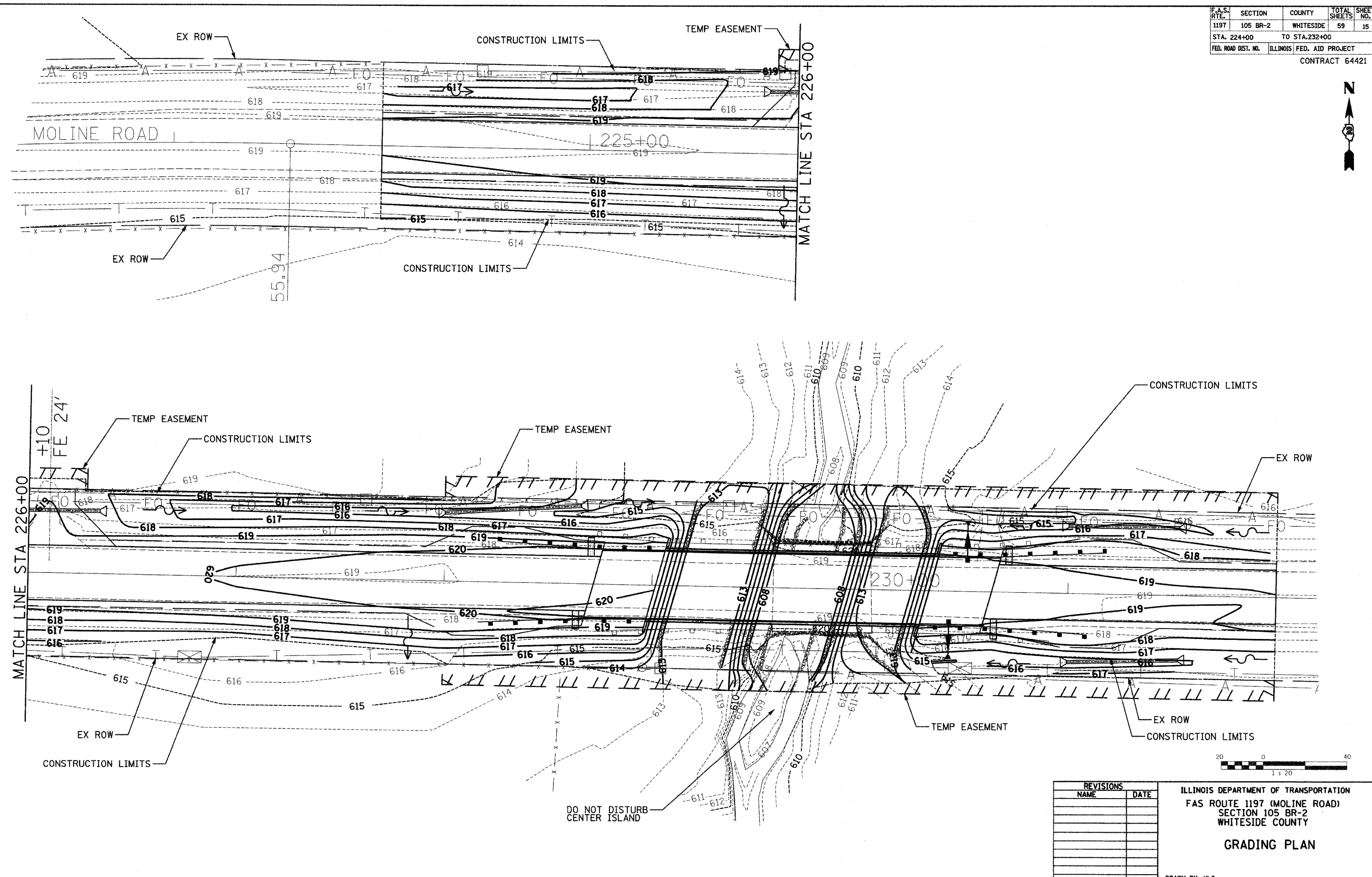
ILLINOIS DEPARTMENT OF TRANSPORTATION
FAS ROUTE 1197 (MOLINE ROAD)
SECTION 105-T
WHITESIDE COUNTY

EROSION CONTROL PLAN

DRAWN BY: HLC

11/8/04
DATE
11/8/04
DATE
11/8/04
DATE
11/8/04
DATE

F.A.S. RTE.	SECTION	COUNTY	TOTAL SHEETS	SHEET NO.
1197	105 BR-2	WHITESIDE	59	15
STA. 224+00		TO STA. 232+00		
FED. ROAD DIST. NO.	ILLINOIS	FED. AID PROJECT		
CONTRACT 64421				



REVISIONS	
NAME	DATE

ILLINOIS DEPARTMENT OF TRANSPORTATION
 FAS ROUTE 1197 (MOLINE ROAD)
 SECTION 105 BR-2
 WHITESIDE COUNTY

GRADING PLAN

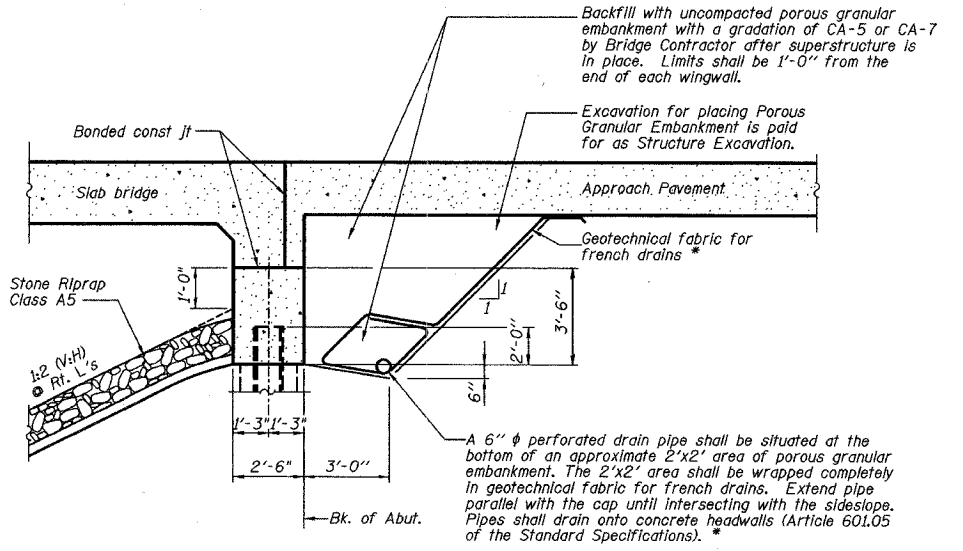
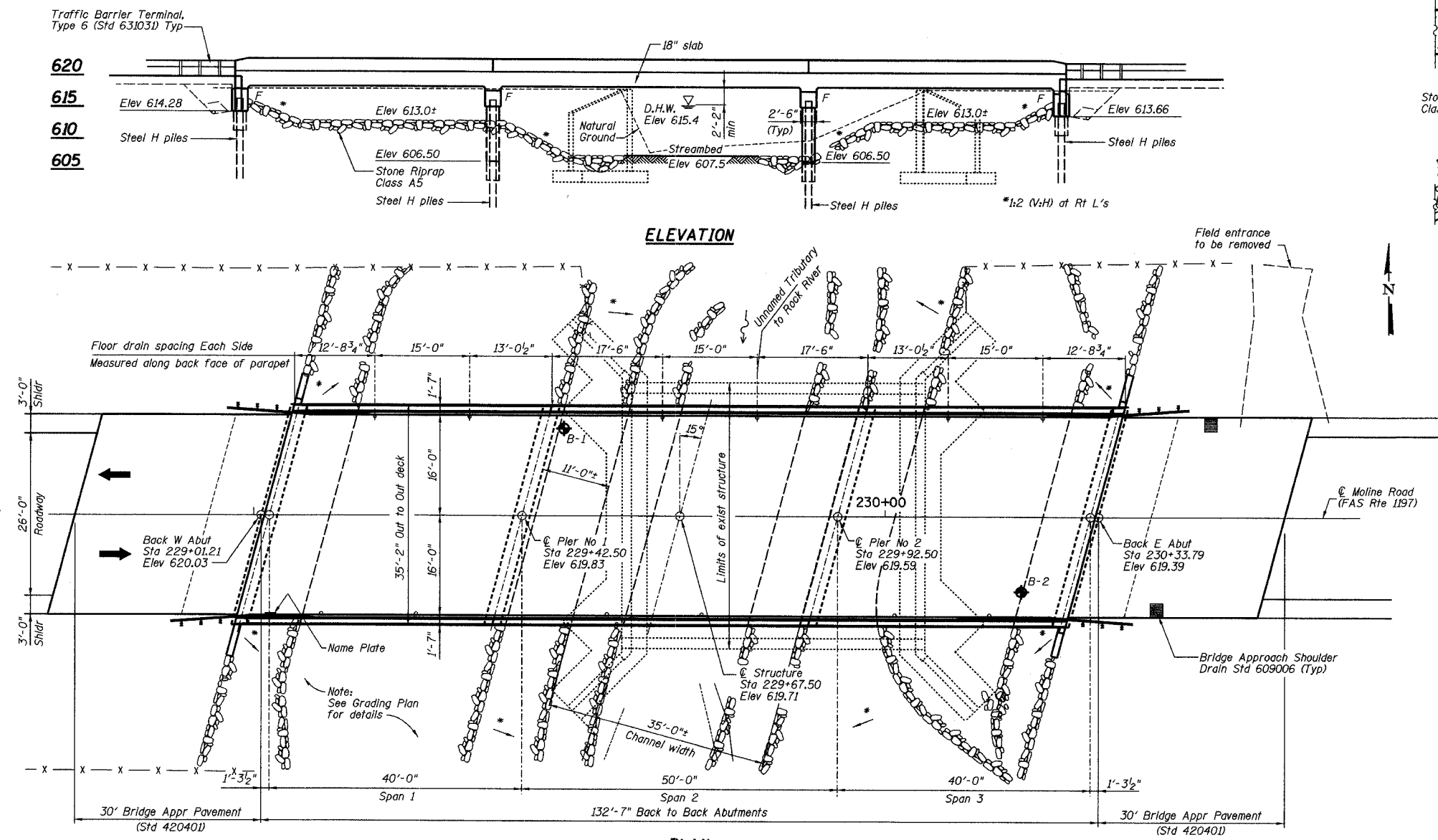
DRAWN BY: HLC

STATE OF ILLINOIS
DEPARTMENT OF TRANSPORTATION

ROUTE NO.	SECTION	COUNTY	TOTAL SHEETS	SHEET NO.
FAS 1197	105BR-2	WHITESIDE	59	16
FEDERAL AID PROJ. NO.		ILLINOIS PROJECT	CONTRACT 64421	

Existing Structure: SN 098-0027
Single span, cast in place, concrete tee beam bridge, built on timber pile supported closed abutments, 48' back to back abutts and 42'-4" out to out of deck. Contractor shall remove existing structure as required and replace with a 3 span reinforced concrete slab bridge on pile bent piers and abutments. Traffic will be detoured during construction. No salvage.

Bench Mark:
406 "□" cut on headwall of culvert Sta 214+81.2, 28.5' Lt Elev 620.58
407 "□" cut on top of NE wingwall of bridge Sta 230+06.6, 22.3' Lt Elev 618.83



* Included in the cost of Porous Granular Embankment.
SECTION THRU INTEGRAL ABUTMENT
(Horiz. dim. @ Rt. L's)

STATION 229+67.50
BUILT 20 BY
STATE OF ILLINOIS
FAS 1197 SEC 105BR-2
LOADING HS20
STR. NO. 098-0110

NAME PLATE
See Std. 515001

APPROVED
FOR STRUCTURAL ADEQUACY ONLY
Ralph E. Anderson
ENGINEER OF BRIDGES AND STRUCTURES

DESIGN SPECIFICATIONS
2002 AASHTO

LOADING HS20-44

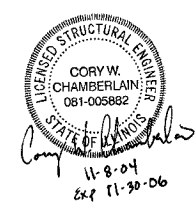
Allow 50#/#sq. ft. for future wearing surface.

DESIGN STRESSES

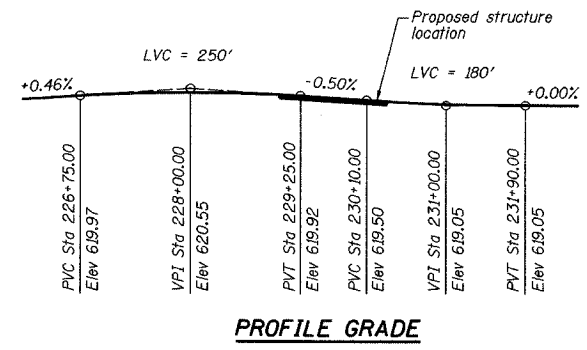
FIELD UNITS
f'c = 3,500 psi
fy = 60,000 psi

SEISMIC DATA

Seismic Performance Category (SPC) = A
Bedrock Acceleration Coefficient (A) = .034
Site Coefficient (S) = 1.0



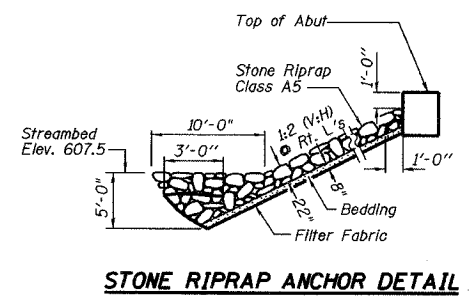
11-8-04
Exp 11-30-06



WATERWAY INFORMATION

Existing Low Grade Elev. 618.70 @ Sta. 229+50
Proposed Low Grade Elev. 619.00 @ Sta. 231+00
Drainage Area = 10.95 sq mi

Flood	Freq. Yr.	Q C.F.S.	Opening Sq. Ft.		Nat. H.W.E.		Head-Ft.		Headwater El.	
			Exist.	Prop.	Exist.	Prop.	Exist.	Prop.	Exist.	Prop.
10	1459	261	412	614.7	0.4	0.0	615.1	614.7		
Design	50	2209	291	489	615.4	1.2	0.0	616.6	615.4	
Base	100	2522	291	514	615.6	1.6	0.1	617.2	615.7	
Max. Calc.	500	3262	291	567	616.1	2.6	0.4	618.7	616.5	



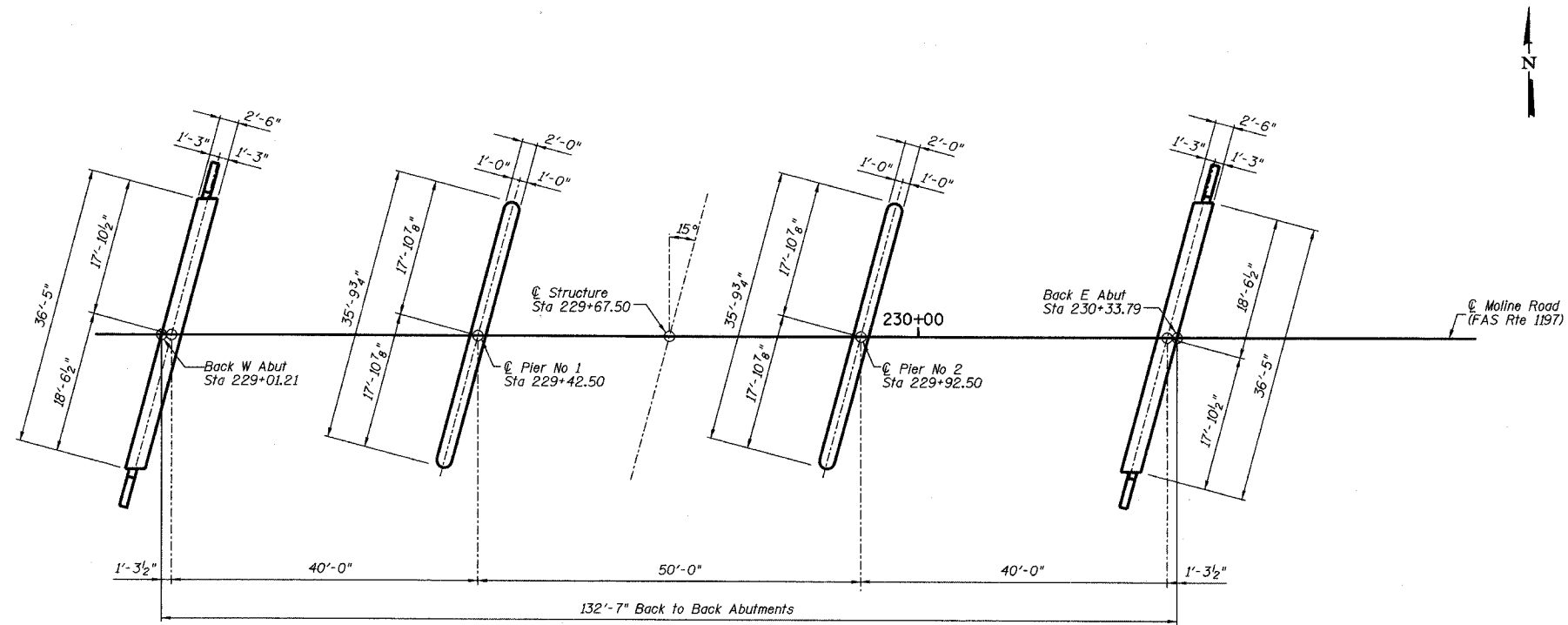
GENERAL PLAN AND ELEVATION

REVISIONS		MOLINE ROAD OVER UNNAMED TRIBUTARY TO ROCK RIVER	DRAWN BY DATE R King 8/04
No.	DATE		
		FAS ROUTE 1197 SECTION 105BR-2	DATE BY DATE CWC 8/04
		STA 229+67.50 SN 098-0110	PROJECT NO. 4858-3
		HOMER L. CHASTAIN & ASSOCIATES, LLP CONSULTING ENGINEERS 184-001397	SHEET NO.

STATE OF ILLINOIS
DEPARTMENT OF TRANSPORTATION

Sheet No. 2
of 11 Sheets

ROUTE NO.	SECTION	COUNTY	TOTAL SHEETS	SHEET NO.
FAS 1197	105BR-2	WHITESIDE	59	17
FED. ROAD DIST. NO.	ILLINOIS	PROJECT		
			CONTRACT 64421	



PLAN

GENERAL NOTES

- Reinforcement bars shall conform to the requirements of AASHTO M 31 or M 322 Grade 60.
- Layout of slope protection system may be varied in the field to suit ground conditions as directed by the Engineer.
- The Contractor shall make allowance for the deflection of forms, shrinkage and settlement of falsework, in addition to allowance for dead load deflection.
- The Contractor shall drive one test pile in a permanent location at the West Abut as directed by the Engineer before ordering the remainder of piles.
- Excavation behind the existing abutment walls shall be done before removing the existing superstructure.
- All Construction joints shall be bonded.

TOTAL BILL OF MATERIAL

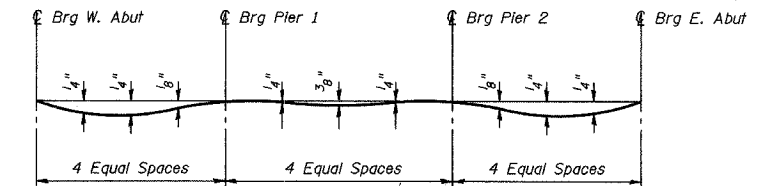
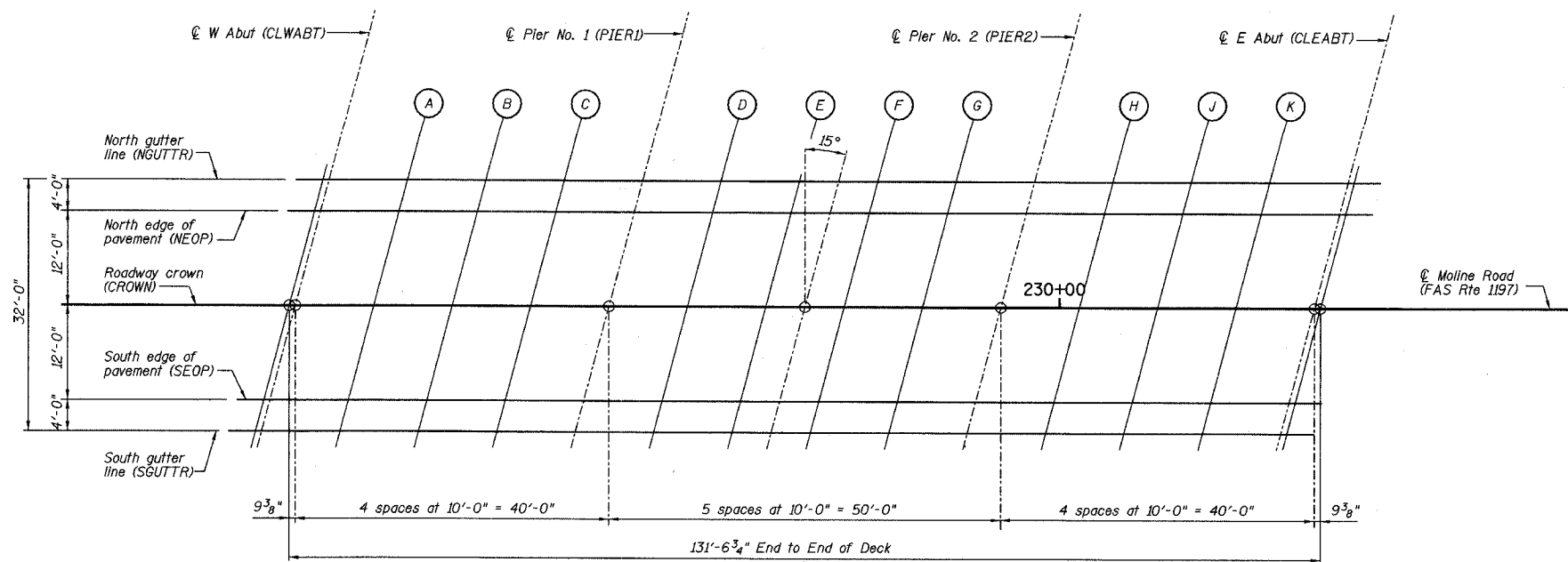
ITEM	UNIT	SUPER	SUB	TOTAL
Porous Granular Embankment	Cu Yd		83	83
Stone Riprap Class A5	Sq Yd		1018	1018
Filter Fabric for use with Riprap	Sq Yd		1018	1018
Removal of Existing Structures No. 1	Each	1		1
Structure Excavation	Cu Yd		121	121
Floor Drains	Each	12		12
Concrete Structures	Cu Yd		88.2	88.2
Concrete Superstructure	Cu Yd	293.4		293.4
Bridge Deck Grooving	Sq Yd	439		439
Protective Coat	Sq Yd	578		578
Reinforcement Bars, Epoxy Coated	Pound	65,280	8,200	73,480
Furnishing Steel Piles HP12x63	Lin Ft		1381	1381
Driving Steel Piles	Lin Ft		1381	1381
Test Pile Steel HP12x63	Each		1	1
Name Plates	Each	1		1
Underwater Structure Excavation Protection - Location 1	Each		1	1
Underwater Structure Excavation Protection - Location 2	Each		1	1

REVISIONS		FOUNDATION PLAN		DRAWN BY DATE	
No.	DATE	INITIALS			R King 8/04
1			MOLINE ROAD OVER UNNAMED TRIBUTARY TO ROCK RIVER		CHECKED BY DATE
2			FAS ROUTE 1197 SECTION 105BR-2		CMV 8/04
3			SN 098-0110		QA/QC BY DATE
4			STA 229+67.50 WHITESIDE COUNTY		CWC 8/04
5			HOMER L. CHASTAIN & ASSOCIATES, LLP		BOOK NUMBER
6			CONSULTING ENGINEERS		PROJECT NO.
7			IB4-001397		4858-3
8					SHEET NO.
9					
10					
11					
12					

STATE OF ILLINOIS
DEPARTMENT OF TRANSPORTATION

Sheet No. 3
of 11 Sheets

ROUTE NO.	SECTION	COUNTY	TOTAL SHEETS	SHEET NO.
FAS 1197	105BR-2	WHITESIDE	59	18
FED. ROAD DIST. NO.	ILLINOIS	PROJECT	CONTRACT 64421	



PLAN

SCREED INFORMATION FOR BEAM OR GIRDER = NGUTTR

LINE	STATION	OFFSET	THEORETICAL GRADE ELEVATION	ELEVATION ADJUSTED FOR DEAD LOAD DEFLECTION
CLWABT	22906.787	16.000	619.734	619.734
A	22916.787	16.000	619.689	619.709
B	22926.787	16.000	619.640	619.664
C	22936.787	16.000	619.591	619.601
PIER1	22946.787	16.000	619.541	619.541
D	22956.787	16.000	619.492	619.506
E	22966.787	16.000	619.443	619.468
F	22976.787	16.000	619.393	619.419
G	22986.787	16.000	619.344	619.358
PIER2	22996.787	16.000	619.294	619.294
H	23006.787	16.000	619.245	619.255
J	23016.787	16.000	619.196	619.219
K	23026.787	16.000	619.149	619.169
CLEABT	23036.787	16.000	619.105	619.105

SCREED INFORMATION FOR BEAM OR GIRDER = NEOP

LINE	STATION	OFFSET	THEORETICAL GRADE ELEVATION	ELEVATION ADJUSTED FOR DEAD LOAD DEFLECTION
CLWABT	22905.715	12.000	619.822	619.822
A	22915.715	12.000	619.777	619.797
B	22925.715	12.000	619.728	619.752
C	22935.715	12.000	619.679	619.689
PIER1	22945.715	12.000	619.630	619.630
D	22955.715	12.000	619.580	619.594
E	22965.715	12.000	619.531	619.556
F	22975.715	12.000	619.481	619.507
G	22985.715	12.000	619.432	619.446
PIER2	22995.715	12.000	619.383	619.383
H	23005.715	12.000	619.333	619.344
J	23015.715	12.000	619.284	619.307
K	23025.715	12.000	619.237	619.257
CLEABT	23035.715	12.000	619.193	619.193

SCREED INFORMATION FOR BEAM OR GIRDER = CROWN

LINE	STATION	OFFSET	THEORETICAL GRADE ELEVATION	ELEVATION ADJUSTED FOR DEAD LOAD DEFLECTION
CLWABT	22902.500	.000	620.024	620.024
A	22912.500	.000	619.980	620.000
B	22922.500	.000	619.932	619.956
C	22932.500	.000	619.883	619.893
PIER1	22942.500	.000	619.834	619.834
D	22952.500	.000	619.784	619.798
E	22962.500	.000	619.735	619.760
F	22972.500	.000	619.685	619.711
G	22982.500	.000	619.636	619.650
PIER2	22992.500	.000	619.586	619.586
H	23002.500	.000	619.537	619.547
J	23012.500	.000	619.488	619.511
K	23022.500	.000	619.440	619.460
CLEABT	23032.500	.000	619.395	619.395

SCREED INFORMATION FOR BEAM OR GIRDER = SEOP

LINE	STATION	OFFSET	THEORETICAL GRADE ELEVATION	ELEVATION ADJUSTED FOR DEAD LOAD DEFLECTION
CLWABT	22899.285	-12.000	619.849	619.849
A	22909.285	-12.000	619.806	619.826
B	22919.285	-12.000	619.760	619.784
C	22929.285	-12.000	619.711	619.721
PIER1	22939.285	-12.000	619.661	619.661
D	22949.285	-12.000	619.612	619.626
E	22959.285	-12.000	619.563	619.588
F	22969.285	-12.000	619.513	619.539
G	22979.285	-12.000	619.464	619.478
PIER2	22989.285	-12.000	619.414	619.414
H	22999.285	-12.000	619.365	619.375
J	23009.285	-12.000	619.316	619.339
K	23019.285	-12.000	619.267	619.287
CLEABT	23029.285	-12.000	619.221	619.221

SCREED INFORMATION FOR BEAM OR GIRDER = SGUTTR

LINE	STATION	OFFSET	THEORETICAL GRADE ELEVATION	ELEVATION ADJUSTED FOR DEAD LOAD DEFLECTION
CLWABT	22898.213	-16.000	619.770	619.770
A	22908.213	-16.000	619.728	619.748
B	22918.213	-16.000	619.682	619.706
C	22928.213	-16.000	619.633	619.644
PIER1	22938.213	-16.000	619.584	619.584
D	22948.213	-16.000	619.534	619.548
E	22958.213	-16.000	619.485	619.511
F	22968.213	-16.000	619.435	619.461
G	22978.213	-16.000	619.386	619.400
PIER2	22988.213	-16.000	619.337	619.337
H	22998.213	-16.000	619.287	619.298
J	23008.213	-16.000	619.238	619.261
K	23018.213	-16.000	619.189	619.209
CLEABT	23028.213	-16.000	619.143	619.143

DECK ELEVATIONS

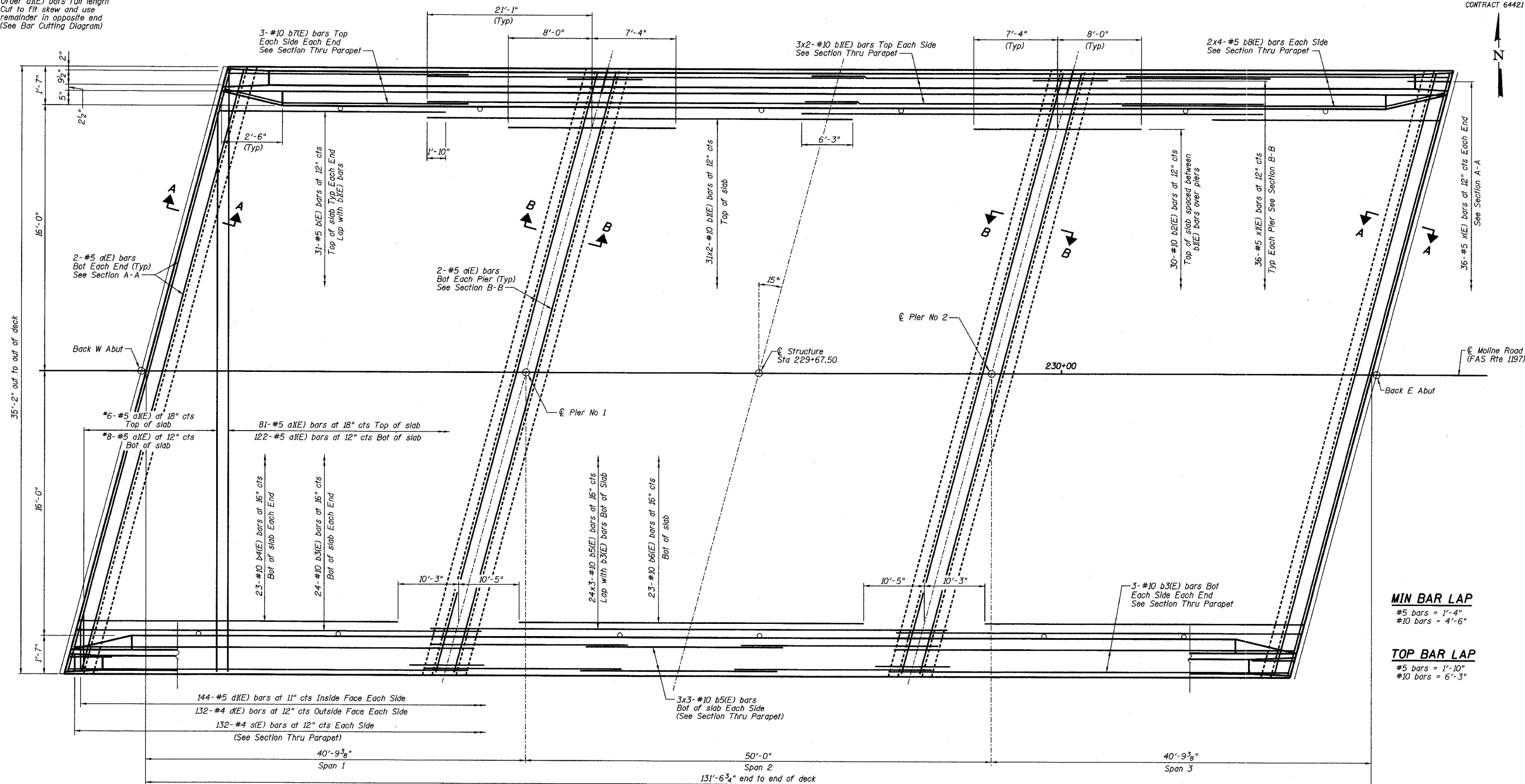
REVISIONS		MOLINE ROAD OVER UNNAMED TRIBUTARY TO ROCK RIVER		DRAWN BY: R King 8/04 CHECKED BY: CMV 8/04 DATE: 8/04 PROJECT NO.: 4858-3 SHEET NO.: 18
1		FAS ROUTE 1197 SECTION 105BR-2		
2		STA 229+67.50 WHITESIDE COUNTY		
3		HOMER L. CHASTAIN & ASSOCIATES, LLP CONSULTING ENGINEERS 184-001397		

STATE OF ILLINOIS
DEPARTMENT OF TRANSPORTATION

Sheet No. 4
of 11 Sheets

ROUTE NO.	SECTION	COUNTY	TOTAL SHEETS	SHEET NO.
FAS 1197	105BR-2	WHITESIDE	59	19
FED. ROAD DIST. NO.	ILLINOIS PROJECT	CONTRACT 64421		

*Order all (E) bars full length
Cut to fit skew and use
remainder in opposite end
(See Bar Cutting Diagram)



MIN BAR LAP
#5 bars = 1'-4"
#10 bars = 4'-6"

TOP BAR LAP
#5 bars = 1'-10"
#10 bars = 6'-3"

PLAN

NOTES:

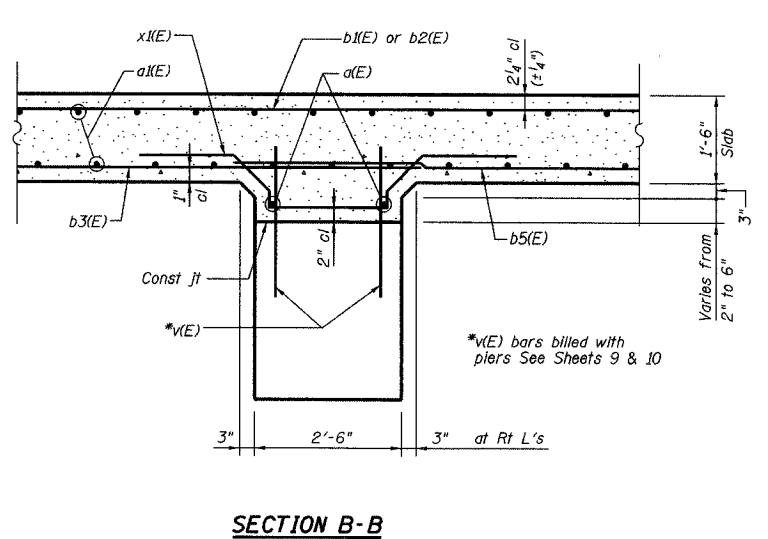
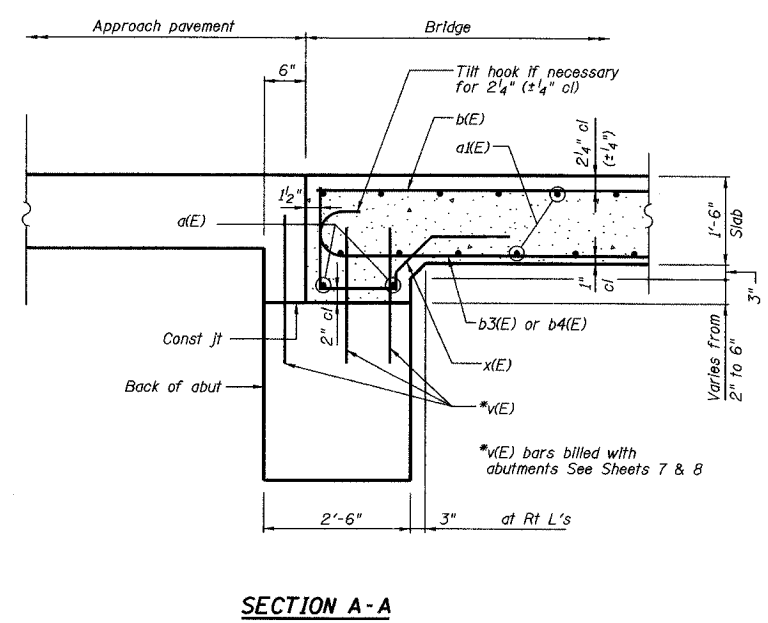
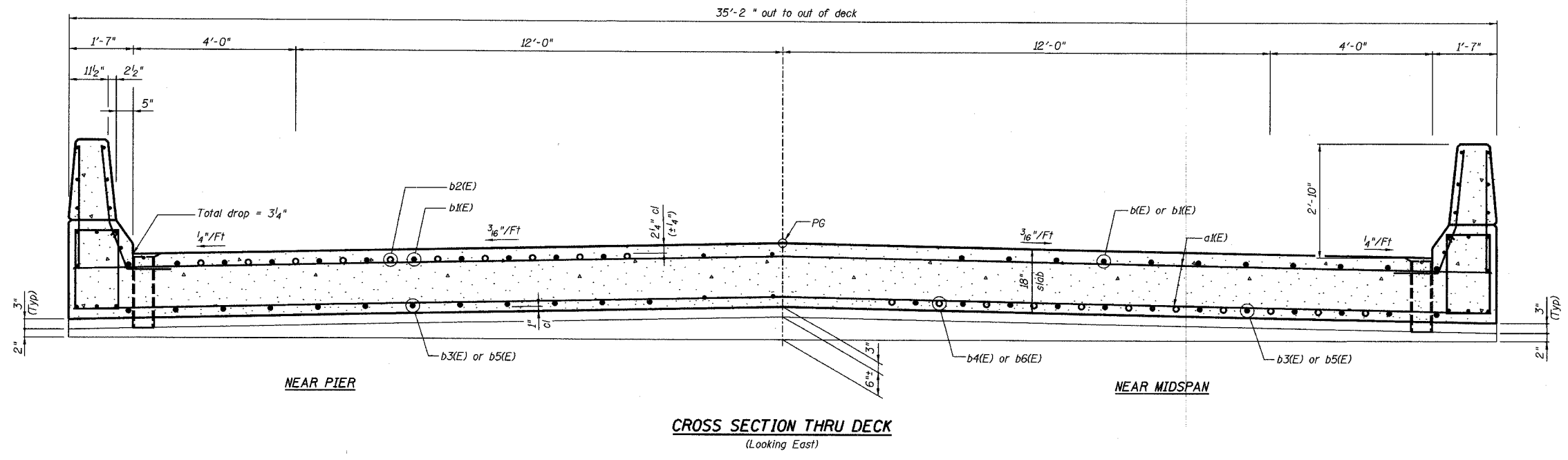
- See Sheet No. 6 of 11 for Superstructure Details, parapet reinforcing and Bill of Material.
- Reinforcement bars designated (E) shall be epoxy coated.
- Bars indicated thus 6x3-#5 etc indicates 6 lines of bars with 3 lengths per line.
- See Sheet No. 1 of 11 for floor drain spacing.
- Space reinforcement bars to clear floor drains.

REVISIONS		SUPERSTRUCTURE PLAN		DRAWN BY DATE	
No.	DATE	INITIALS	MOLINE ROAD OVER UNNAMED TRIBUTARY TO ROCK RIVER		R King 8/04
1			FAS ROUTE 1197 SECTION 105BR-2		CHECKED BY DATE
2			STA 229+67.50 WHITESIDE COUNTY		CMW 8/04
3			SN 098-0110		DATE BY DATE
4			HOMER L. CHASTAIN & ASSOCIATES, LLP		CWC 8/04
5			184-001397		BOOK NUMBER
6					PROJECT No.
7					4858-3
8					SHEET No.
9					
10					
11					
12					

STATE OF ILLINOIS
DEPARTMENT OF TRANSPORTATION

Sheet No. 5
of 11 Sheets

ROUTE NO.	SECTION	COUNTY	TOTAL SHEETS	SHEET NO.
FAS 1197	105BR-2	WHITESIDE	59	20
FED. ROAD DIST. NO.	ILLINOIS	PROJECT	CONTRACT 64421	



NOTES:
See Sheet No. 6 of 11 for Superstructure Details, parapet reinforcing and Bill of Material.
Reinforcement bars designated (E) shall be epoxy coated.
Bars indicated thus 6x3-#5 etc indicates 6 lines of bars with 3 lengths per line.
See Sheet No. 1 of 11 for floor drain spacing.
Space reinforcement bars to miss floor drains.

REVISIONS		SUPERSTRUCTURE DETAILS	
No.	DATE	INITIALS	
1			
2			
3			
4			
5			
6			
7			
8			
9			
10			
11			
12			

DRAWN BY DATE R King 8/04	
CHECKED BY DATE CMV 8/04	
QA/QC BY DATE CWC 8/04	
BOOK NUMBER	
PROJECT NO. 4858-3	
SHEET NO.	

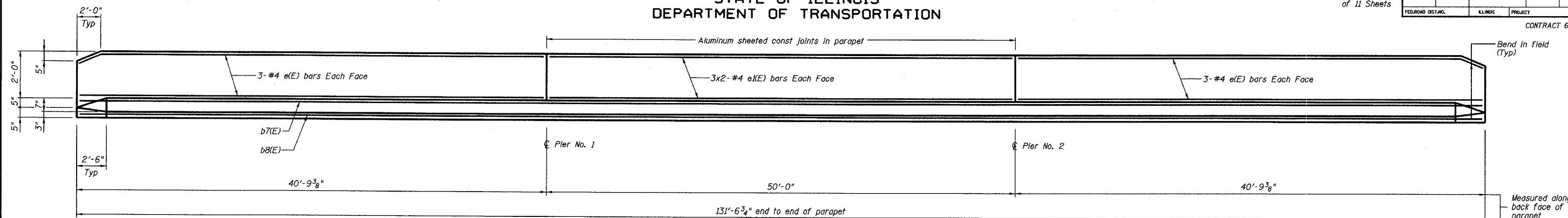
MOLINE ROAD OVER UNNAMED TRIBUTARY TO ROCK RIVER	
FAS ROUTE 1197	SECTION 105BR-2
SN 098-0110	
STA 229+67.50	WHITESIDE COUNTY
HOMER L. CHASTAIN & ASSOCIATES, LLP CONSULTING ENGINEERS 184-001397	

STATE OF ILLINOIS
DEPARTMENT OF TRANSPORTATION

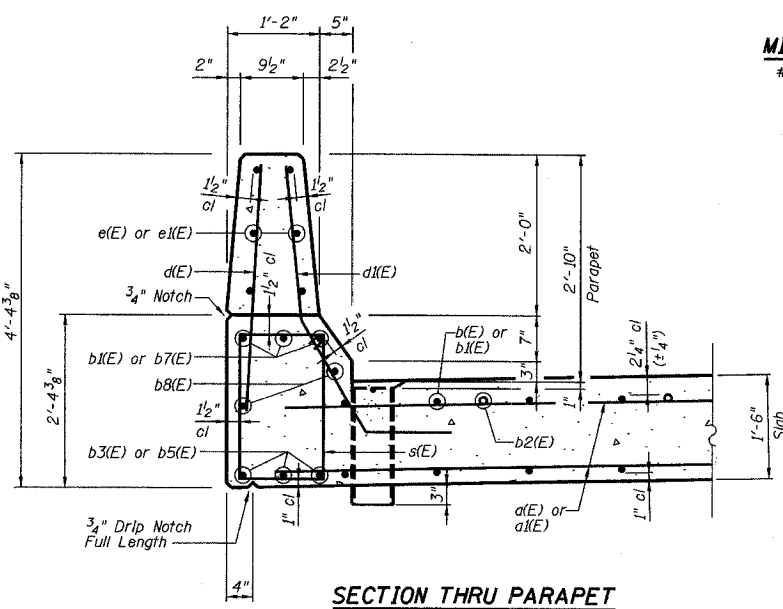
Sheet No. 6
of 11 Sheets

ROUTE NO.	SECTION	COUNTY	TOTAL SHEETS	SHEET NO.
FAS 1197	105BR-2	WHITESIDE	59	21
FEDERAL DIST. NO.	LLINKS	PROJECT		

CONTRACT 64421

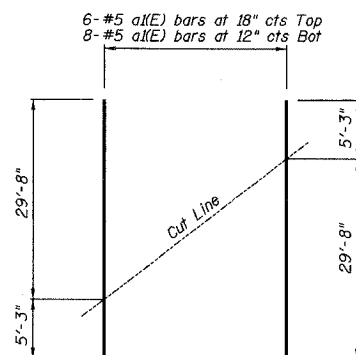


INSIDE ELEVATION OF PARAPET



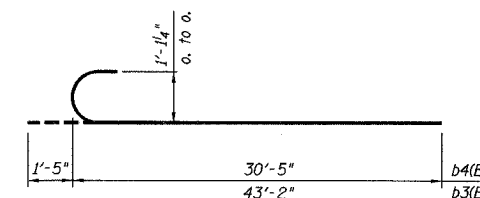
SECTION THRU PARAPET

MIN BAR LAP
#4 bars = 1'-4"

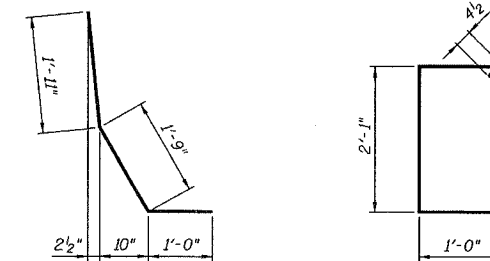


BAR a1(E) CUTTING DIAGRAM

Order a1(E) full length. Cut as shown and use remainder of bars in opposite end.

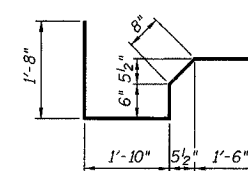


BARS b3(E) AND b4(E)

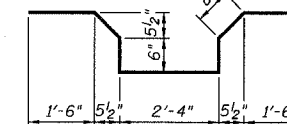


BAR d(E)

BAR s(E)



BAR x(E)



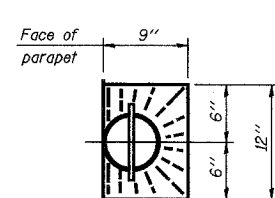
BAR x1(E)

SUPERSTRUCTURE
BILL OF MATERIAL

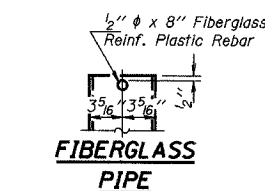
Bar	No.	Size	Length	Shape
a(E)	8	#5	36'-2"	—
a1(E)	217	#5	34'-11"	—
b(E)	62	#5	21'-4"	—
b1(E)	74	#10	49'-3"	—
b2(E)	60	#10	15'-4"	—
b3(E)	60	#10	44'-7"	—
b4(E)	46	#10	31'-10"	—
b5(E)	90	#10	21'-2"	—
b6(E)	23	#10	29'-2"	—
b7(E)	12	#10	25'-10"	—
b8(E)	16	#5	34'-8"	—
d(E)	264	#4	3'-0"	—
d1(E)	288	#5	4'-8"	—
e(E)	24	#4	40'-6"	—
e1(E)	24	#4	25'-7"	—
s(E)	264	#4	6'-11"	—
x(E)	72	#5	6'-2"	—
x1(E)	72	#5	7'-8"	—
Reinforcement Bars, Epoxy Coated		Pound	65,280	
Concrete Superstructure		Cu. Yds.	293.4	

Reinforcement bars designated (E) shall be epoxy coated.

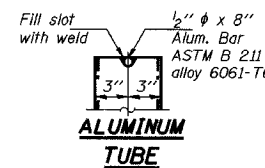
Bars indicated thus 1 x 3-#5 etc. Indicates 1 line of bars with 3 lengths per line.



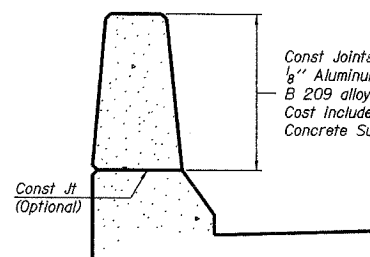
TOP PLAN



FIBERGLASS PIPE



ALUMINUM TUBE



PARAPET JOINT DETAILS

Notes:
The exterior surfaces of the Fiberglass Floor Drain shall be painted with a vinyl enamel coat. The color shall be Munsell Standard 10Y 7/1 Light Gray. The exterior surfaces of the drains shall be cleaned according to Steel Structures Painting Council's Spec SSPC-SPI prior to painting. Painting of the Fiberglass Floor Drains will not be required when the exterior surfaces of the furnished drains are coated by the manufacturer with silver pigments or a pigment that matches the color of the concrete slab. Fiberglass pipe shall conform to ASTM D2996, with short-time rupture strength hoop tensile stress of 30,000 psi minimum. The surface of the Fiberglass pipe shall be free of bond inhibiting agents. Fiberglass to have prewash as per MIL-P-15328 prior to painting.

TOP PLAN
(Showing Aluminum Tube)

SUPERSTRUCTURE DETAILS

REVISIONS	NO.	DATE	INITIALS	SHOWN BY	DATE
1				R King	8/04
2				CMV	8/04
3				CWC	8/04
4					
5					
6					
7					
8					
9					
10					
11					
12					

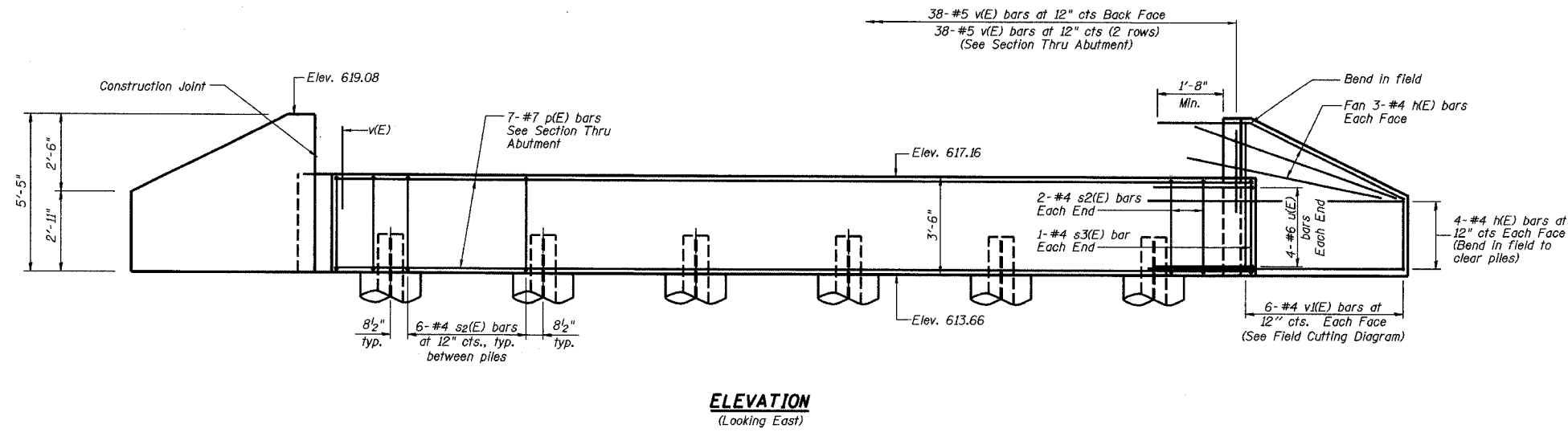
MOLINE ROAD OVER UNNAMED TRIBUTARY TO ROCK RIVER		PROJECT NO. 4858-3
FAS ROUTE 1197	SECTION 105BR-2	
STA 229+67.50	WHITESIDE COUNTY	
HOMER L. CHASTAIN & ASSOCIATES, LLP CONSULTING ENGINEERS 184-001397		

STATE OF ILLINOIS
DEPARTMENT OF TRANSPORTATION

Sheet No. 8
of 11 Sheets

ROUTE NO.	SECTION	COUNTY	TOTAL SHEETS	SHEET NO.
FAS 1197	105BR-2	WHITESIDE	59	23
FED. ROAD DIST. NO.	CLINOS	PROJECT		

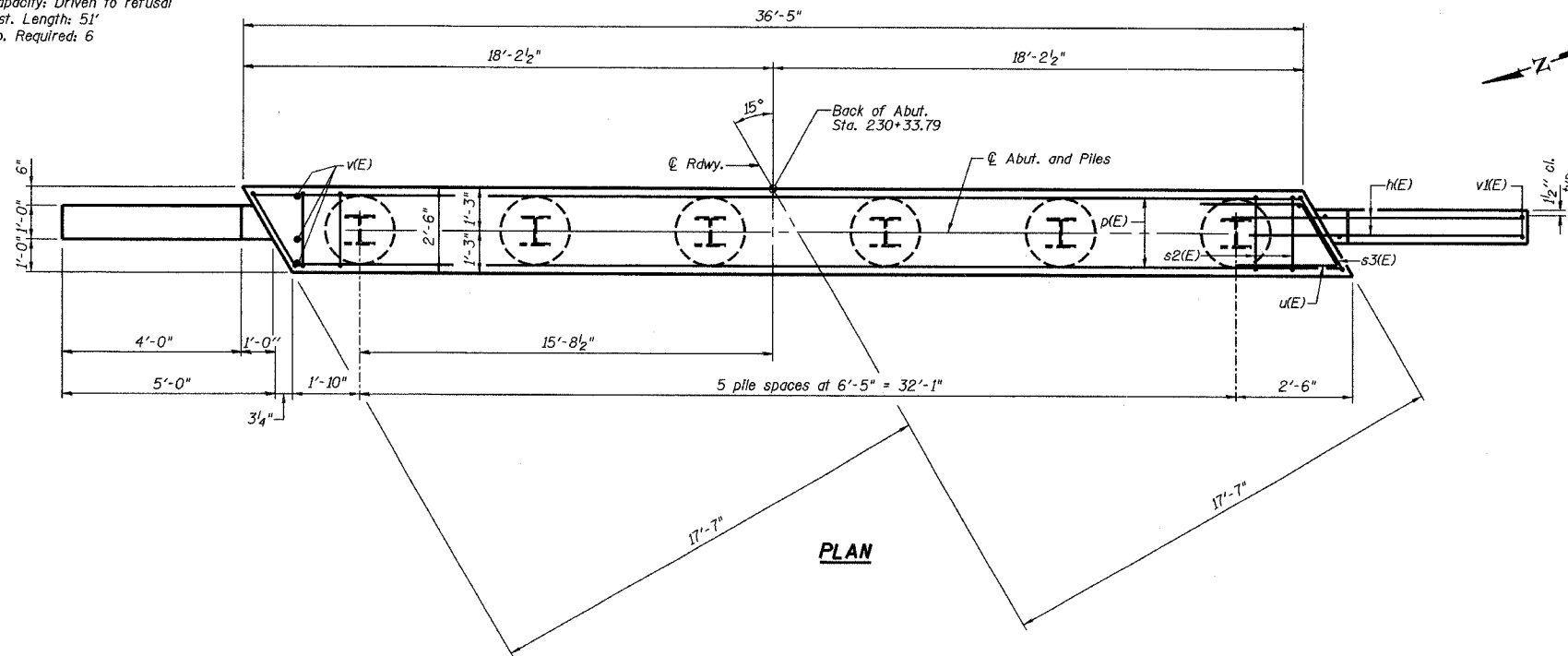
CONTRACT 64421



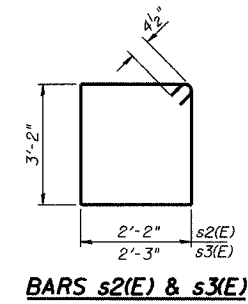
ELEVATION
(Looking East)

PILE DATA

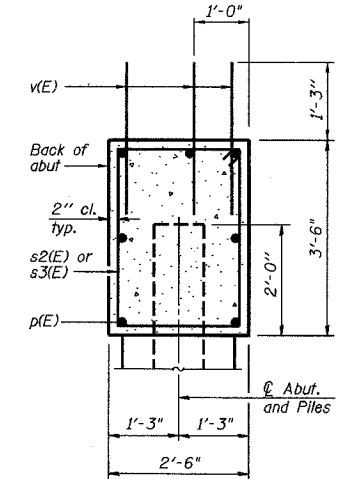
Type: HP12x63
Capacity: Driven to refusal
Est. Length: 51'
No. Required: 6



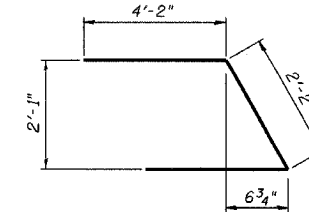
PLAN



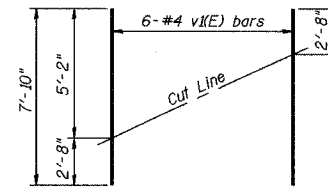
BARS s2(E) & s3(E)



SECTION THRU ABUTMENT



BAR u(E)



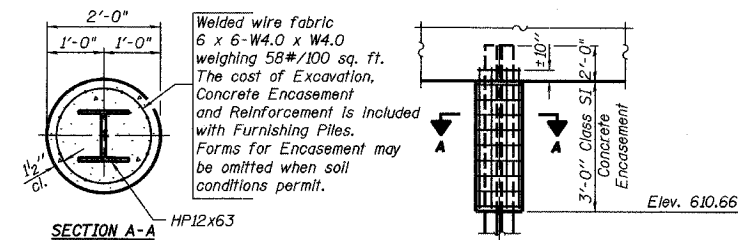
FIELD CUTTING DIAGRAM

Order v(E) full length. Cut as shown and use remainder of bars in opposite face.

BILL OF MATERIAL

Bar No.	Size	Length	Shape
h(E)	#4	7'-3"	—
p(E)	#7	36'-1"	—
s2(E)	#4	11'-5"	□
s3(E)	#4	11'-7"	□
u(E)	#6	10'-6"	∟
v(E)	#5	3'-5"	—
v(E)	#4	7'-10"	—
Structure Excavation	Cu. Yd.	35	
Concrete Structures	Cu. Yd.	13.4	
Reinforcement Bars, Epoxy Coated	Pound	1520	
Furnishing Steel Piles HP12x63	Foot	306	
Driving Steel Piles	Foot	306	

Reinforcement bars designated (E) shall be epoxy coated.



PILE ENCASEMENT DETAIL

EAST ABUTMENT DETAILS

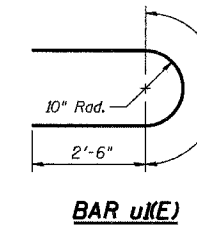
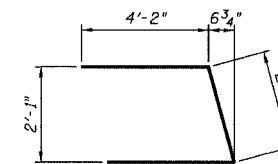
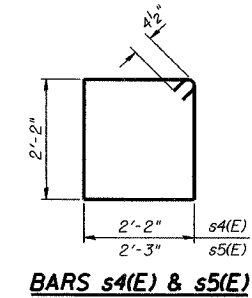
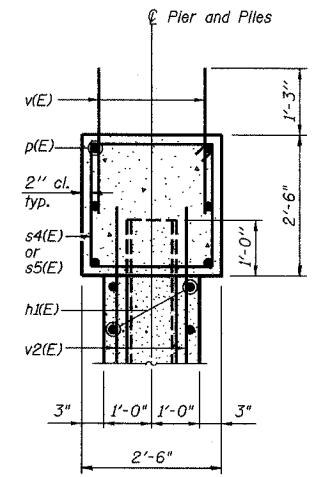
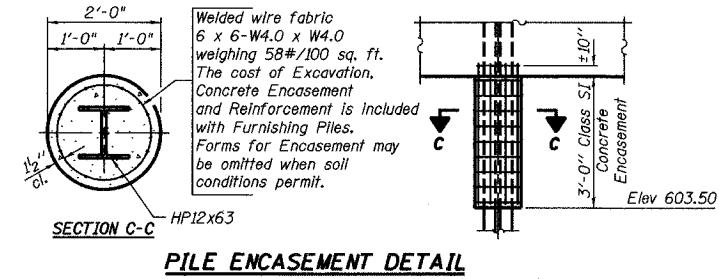
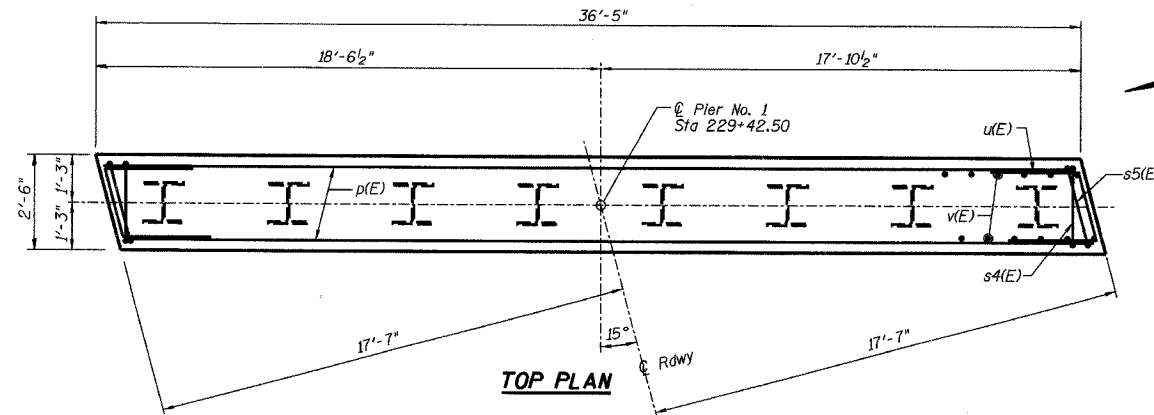
REVISIONS No. DATE INITIALS 1 2 3 4 5 6 7 8 9 10 11 12		MOLINE ROAD OVER UNNAMED TRIBUTARY TO ROCK RIVER FAS ROUTE 1197 SECTION 105BR-2 STA 229+67.50 SN 098-0110 WHITESIDE COUNTY HOMER L. CHASTAIN & ASSOCIATES, LLP CONSULTING ENGINEERS 184-001397	DRAWN BY DATE R King 8/04 CHECKED BY DATE CMV 8/04 DATED BY DATE CWC 8/04 PROJECT No. 4858-3 SHEET No.
--	--	--	---

STATE OF ILLINOIS
DEPARTMENT OF TRANSPORTATION

ROUTE NO.	SECTION	COUNTY	TOTAL SHEETS	SHEET NO.
FAS 1197	105BR-2	WHITESIDE	59	24
FEDERAL DIST. NO.		ILLINOIS	PROJECT	
		CONTRACT 64421		

PILE DATA

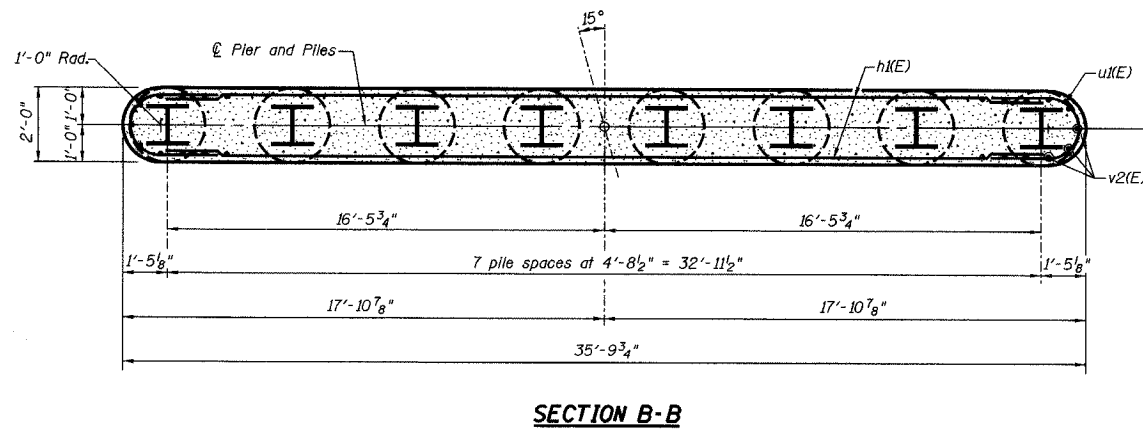
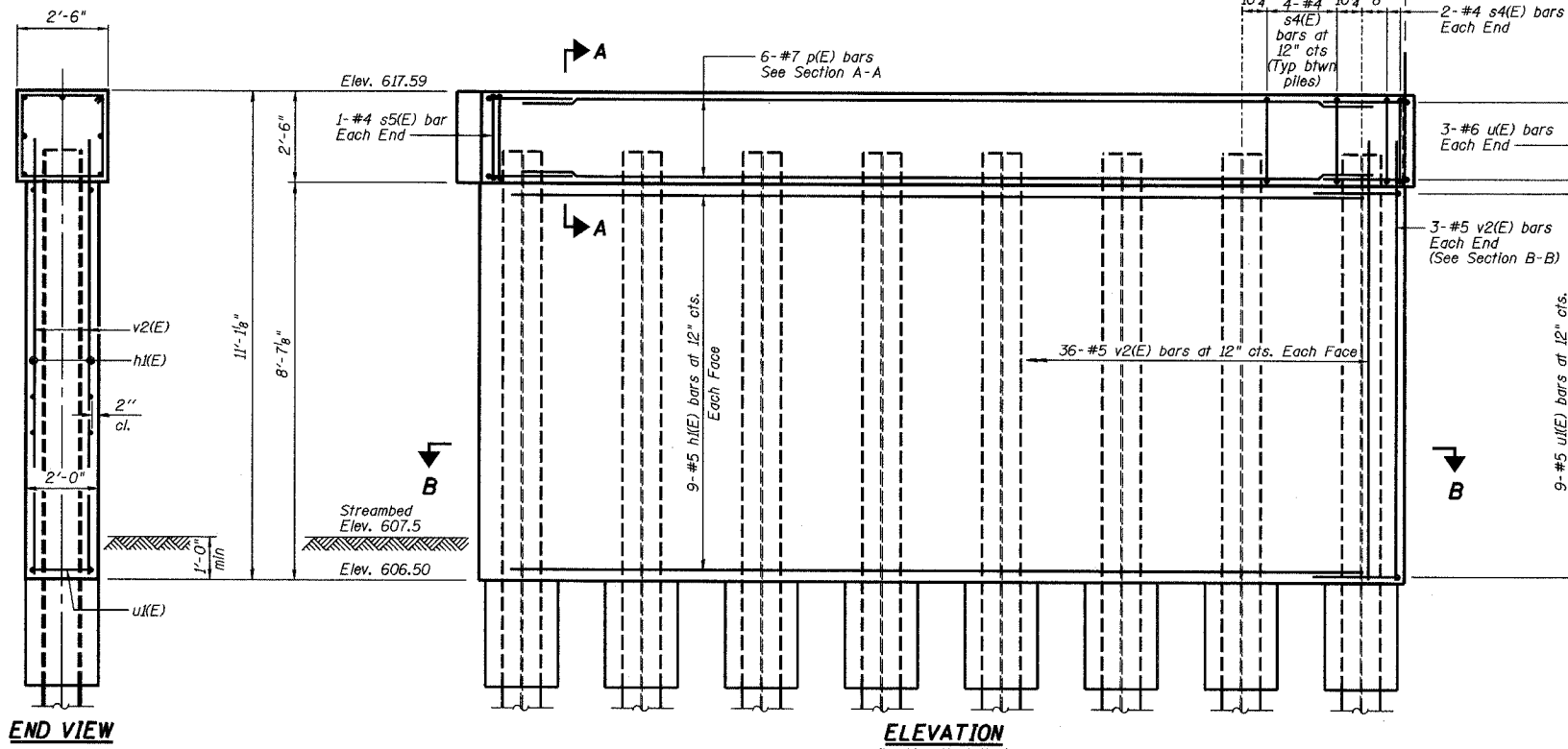
Type: HP12x63
Capacity: Driven to refusal
Est. Length: 50'
No. Required: 8



BILL OF MATERIAL

Bar	No.	Size	Length	Shape
h(E)	18	#5	33'-0"	—
p(E)	6	#7	36'-1"	—
s4(E)	32	#4	9'-5"	□
s5(E)	2	#4	9'-7"	□
u(E)	6	#6	10'-6"	U
u(E)	18	#5	7'-7"	U
v(E)	76	#5	3'-5"	—
v2(E)	78	#5	9'-9"	—
Structure Excavation		Cu. Yd.	42	
Concrete Structures		Cu. Yd.	31.0	
Reinforcement Bars, Epoxy Coated		Pound	2580	
Furnishing Steel Piles HP12x63		Foot	400	
Driving Steel Piles		Foot	400	
Underwater Structure Excavation Protection - Location 1		Each	1	

Reinforcement Bars designated (E) shall be epoxy coated.



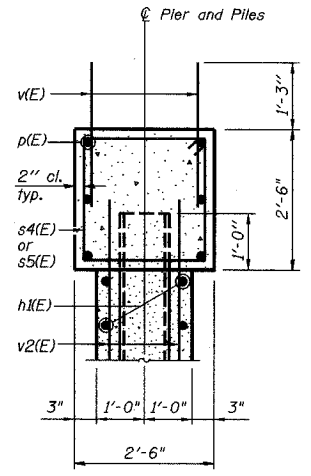
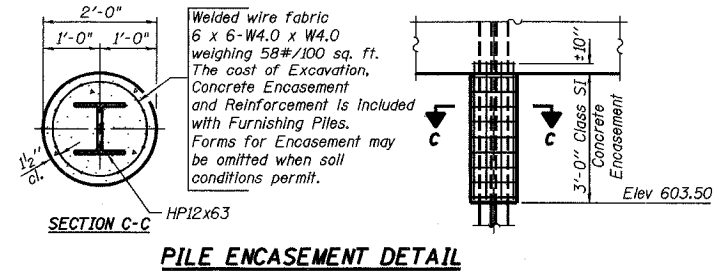
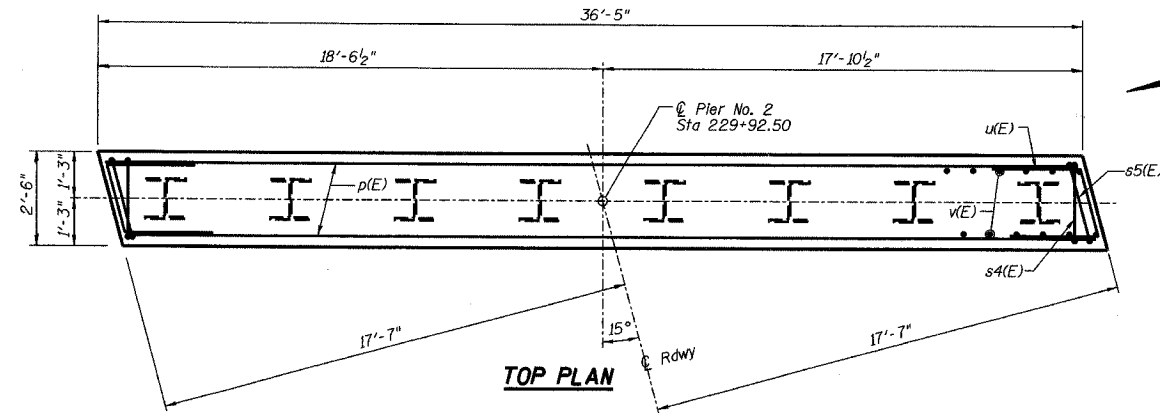
REVISIONS			PIER NO. 1 DETAILS		DRAWN BY DATE	
No.	DATE	INITIALS	MOLINE ROAD OVER UNNAMED TRIBUTARY TO ROCK RIVER		R King 8/04	
1			FAS ROUTE 1197 SECTION 105BR-2		CHECKED BY DATE	
2			STA 229+67.50 WHITESIDE COUNTY		CMV 8/04	
3			SN 098-0110		DATE BY DATE	
4			HOMER L. CHASTAIN & ASSOCIATES, LLP		BOOK NUMBER	
5			184-001397		PROJECT NO.	
6					4858-3	
7					SHEET NO.	
8						
9						
10						
11						
12						

STATE OF ILLINOIS
DEPARTMENT OF TRANSPORTATION

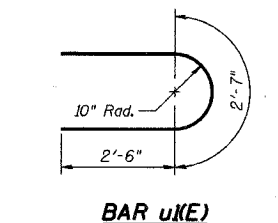
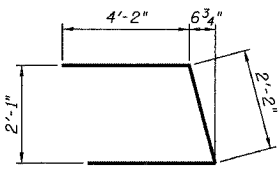
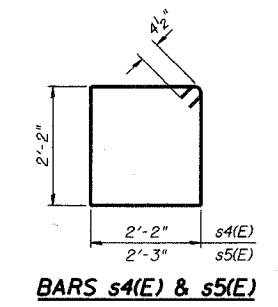
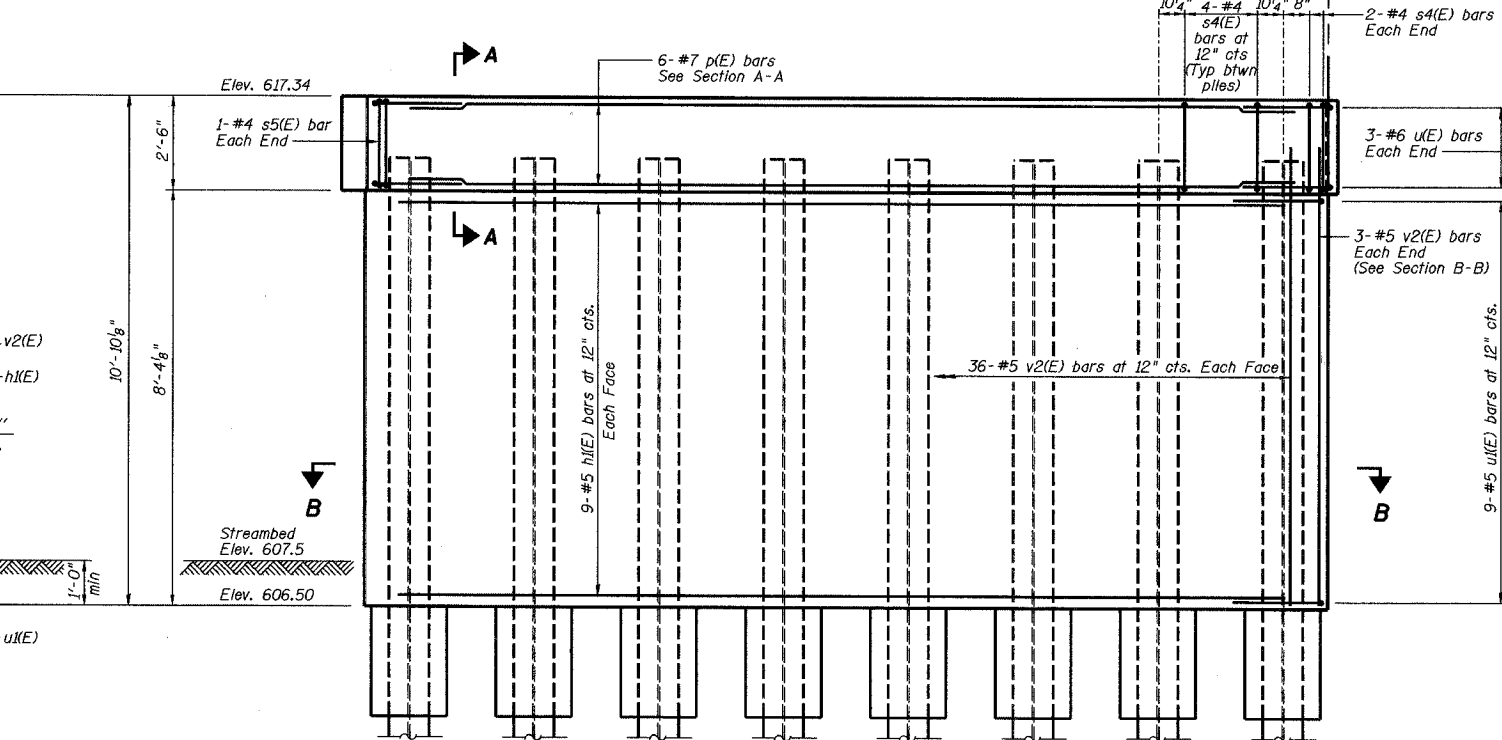
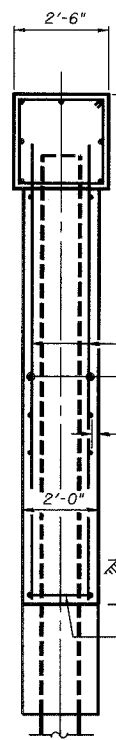
ROUTE NO.	SECTION	COUNTY	TOTAL SHEETS	SHEET NO.
FAS 1197	105BR-2	WHITESIDE	59	25
FED. ROAD DIST. NO.	ILLINOIS PROJECT	CONTRACT 64421		

PILE DATA

Type: HP12x63
Capacity: Driven to refusal
Est. Length: 55'
No. Required: 8



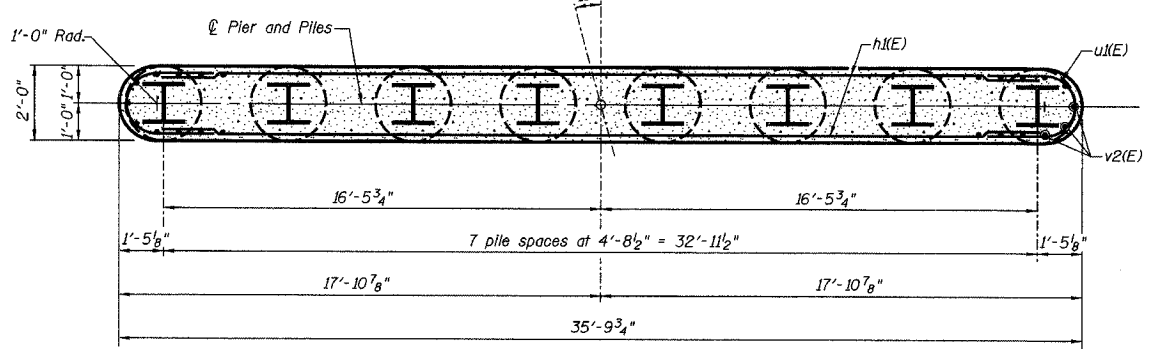
38-#5 v(E) bars at 12" cts Each Face
See Section A-A



BILL OF MATERIAL

Bar	No.	Size	Length	Shape
h(E)	18	#5	33'-0"	—
p(E)	6	#7	36'-1"	—
s4(E)	32	#4	9'-5"	□
s5(E)	2	#4	9'-7"	□
u(E)	6	#6	10'-6"	—
u(E)	18	#5	7'-7"	—
v(E)	76	#5	3'-5"	—
v2(E)	78	#5	9'-9"	—
Structure Excavation			Cu. Yd.	9
Concrete Structures			Cu. Yd.	30.4
Reinforcement Bars, Epoxy Coated			Pound	2580
Furnishing Steel Piles HP12x63			Foot	440
Driving Steel Piles			Foot	440
Underwater Structure Excavation Protection - Location 2			Each	1

Reinforcement Bars designated (E) shall be epoxy coated.



SECTION B-B

REVISIONS		PIER NO. 2 DETAILS		DRAWN BY DATE	
NO.	DATE	INITIALS	MOLINE ROAD OVER UNNAMED TRIBUTARY TO ROCK RIVER		R King 8/04
1			FAS ROUTE 1197 SECTION 105BR-2		CHECKED BY DATE
2			STA 229+67.50 WHITESIDE COUNTY		CWV 8/04
3			SN 098-0110		DATE BY DATE
4			HOMER L. CHASTAIN & ASSOCIATES, LLP		CWC 8/04
5			CONSULTING ENGINEERS		BOOK NUMBER
6			184-001397		PROJECT NO.
7					4858-3
8					SHEET NO.
9					
10					
11					
12					

STATE OF ILLINOIS
DEPARTMENT OF TRANSPORTATION

Sheet No. 11
of 11 Sheets

ROUTE NO.	SECTION	COUNTY	TOTAL SHEETS	SHEET NO.
FAS 1197	105BR-2	WHITESIDE	59	26
FED. ROAD DIST. NO.	ILLINOIS	PROJECT		

CONTRACT 64421

ILLINOIS DEPARTMENT OF TRANSPORTATION
District Two Materials - NE 12 - T20N, R5E
Lyndon Twp.

Units English
Bridge Foundation
Boring Log

PROJECT BRIDGE over ditch 3 miles Date 07/20/99 Sh. 1 of 2
ROUTE Old Moline Road east of Lyndon Bored By C. Jenkins
SEC. 105 B-Y STA. 229 + 82 Checked By T. Bratt

COUNTY Whiteside

DEPTH	DESCRIPTION	Surf Wat El.	Grndwater El.	At Compl. Wash	At	Hrs	W	U	N	Qu	t/af	W	%
0	Ground Surface 22.5												
0.5	MEDIUM brown SILTY CLAY	22.5	22.5							0.3	26		
1.5	MEDIUM brown SANDY LOAM with GRAVEL									0.4	30		
2.5	MEDIUM brown SAND & GRAVEL									0.4	28		
3.5	LOOSE brown SAND & GRAVEL									0.4	29		
4.5	1/2" gray SAND & SILT with a SILT lens									0.6	30		
5.5	First Encounter - LOOSE brown SAND & GRAVEL									0.6	26		
6.5	MEDIUM tan SAND & GRAVEL									0.7	35		
7.5	DENSE tan SAND & GRAVEL									1.3	20		
8.5	DENSE gray SAND & GRAVEL									1.3	20		

1-Std Penetr Test: 2" OD Sampler, 140# Hammer, 30" Fall (Type Fall, B-Bulge S-Shear S-Estimated Penetrometer)

ILLINOIS DEPARTMENT OF TRANSPORTATION
District Two Materials - NE 12 - T20N, R5E
Lyndon Twp.

Units English
Bridge Foundation
Boring Log

PROJECT BRIDGE over ditch 3 miles Date 07/20/99 Sh. 1 of 2
ROUTE Old Moline Road east of Lyndon Bored By C. Jenkins
SEC. 105 B-Y STA. 229 + 82 Checked By T. Bratt

COUNTY Whiteside

DEPTH	DESCRIPTION	Surf Wat El.	Grndwater El.	At Compl. Wash	At	Hrs	W	U	N	Qu	t/af	W	%
0	Ground Surface 22.3												
0.5	MEDIUM brown SILTY LOAM	22.3	22.3							0.7	15		
1.5	MEDIUM brown SILTY LOAM with GRAVEL									0.7	15		
2.5	SOFT brown SANDY LOAM with GRAVEL									0.4	18		
3.5	LOOSE tan SAND & GRAVEL									0.4	18		
4.5	First Encounter - tan SAND & SILT									0.6	30		
5.5	MEDIUM gray/black SILTY LOAM									0.6	30		
6.5	VERY LOOSE brown SAND & GRAVEL									0.6	28		
7.5	MEDIUM tan SAND & GRAVEL									0.7	15		
8.5	DENSE tan SAND & GRAVEL									1.3	20		
9.5	Same as above									1.3	20		

1-Std Penetr Test: 2" OD Sampler, 140# Hammer, 30" Fall (Type Fall, B-Bulge S-Shear S-Estimated Penetrometer)

ILLINOIS DEPARTMENT OF TRANSPORTATION
District Two Materials - NE 12 - T20N, R5E
Lyndon Twp.

Rock Core Description

PROJECT BRIDGE over ditch 3 miles Date 07/20/99 Sh. 2 of 2
ROUTE Old Moline Road east of Lyndon Bored By C. Jenkins
SEC. 105 B-Y STA. 229 + 82 Checked By T. Bratt

COUNTY Whiteside

Boring No. B-2
Sta 230 + 12
O/S 14' RE CL

Ground Surface Elevation 22.3
Rock Surface Elevation 22.8
Begin Coring Elevation 45.3

From	To	PROFYLE Description	CORE Notes
45.3	40.3	Dolomite: yellow-tan, massively bedded, porous, with minor sand size solution cavities. Qu: 3945 psi: 42.3 to 41.3	Core Run #1 Begin Elev.: 45.3 End Elev.: 40.3 Recovery=5'/5'= 100% RQD= 2.8' / 5' = 56%
40.3	35.3	Dolomite: yellow-tan, as above. Qu: 5456 psi: 38.5 to 37.5	Core Run #2 Begin Elev.: 35.3 End Elev.: 30.3 Recovery=5'/5'= 100% RQD= 3.4' / 5' = 68%

Units English
Project
Route Old Moline Road
Sec. 105 B-Y
County Whiteside

Sh. 2 of 2

Boring No. B-1
Sta 229 + 51
O/S 13' RE CL

DEPTH	DESCRIPTION	EL.	N	Qu	t/af	W	%
0	VERY DENSE white weathered LIMESTONE	45					
1	VERY DENSE white weathered LIMESTONE	16		100/5" PEN			
2	VERY DENSE white weathered LIMESTONE	100/5" PEN					
3	UGER REFUSAL @ 49'	50					
4	END OF BORING	50					
5		55					
6		60					
7		65					
8		70					

Units English
Project
Route Old Moline Road
Sec. 105 B-Y
County Whiteside

Sh. 2 of 2

Boring No. B-2
Sta 230 + 12
O/S 14' RE CL

DEPTH	DESCRIPTION	EL.	N	Qu	t/af	W	%
0	LOOSE tan/gray SAND & GRAVEL	45					
1	MEDIUM yellow/white weathered LIMESTONE with a CLAY lens	3					
2	VERY DENSE yellow weathered LIMESTONE with blue CLAY lens	18		100/4" PEN			
3	VERY DENSE yellow weathered LIMESTONE	100/4" PEN					
4	15' Refusal @ 54'	55					
5	15' Core Run Recovery 100%	55					
6	15' Core Run Recovery 100%	60					
7	15' Core Run Recovery 100%	65					
8	15' Core Run Recovery 100%	70					
9	15' Core Run Recovery 100%	75					
10	15' Core Run Recovery 100%	80					
11	15' Core Run Recovery 100%	85					
12	15' Core Run Recovery 100%	90					
13	15' Core Run Recovery 100%	95					
14	15' Core Run Recovery 100%	100					

REVISIONS				DRAWN BY DATE	
1	DATE	INITIALS		R King	8/04
2				CMW	8/04
3				BY DATE	8/04
4				BOOK NUMBER	
5				PROJECT No.	4858-3
6				SHEET No.	
7					
8					
9					
10					
11					
12					

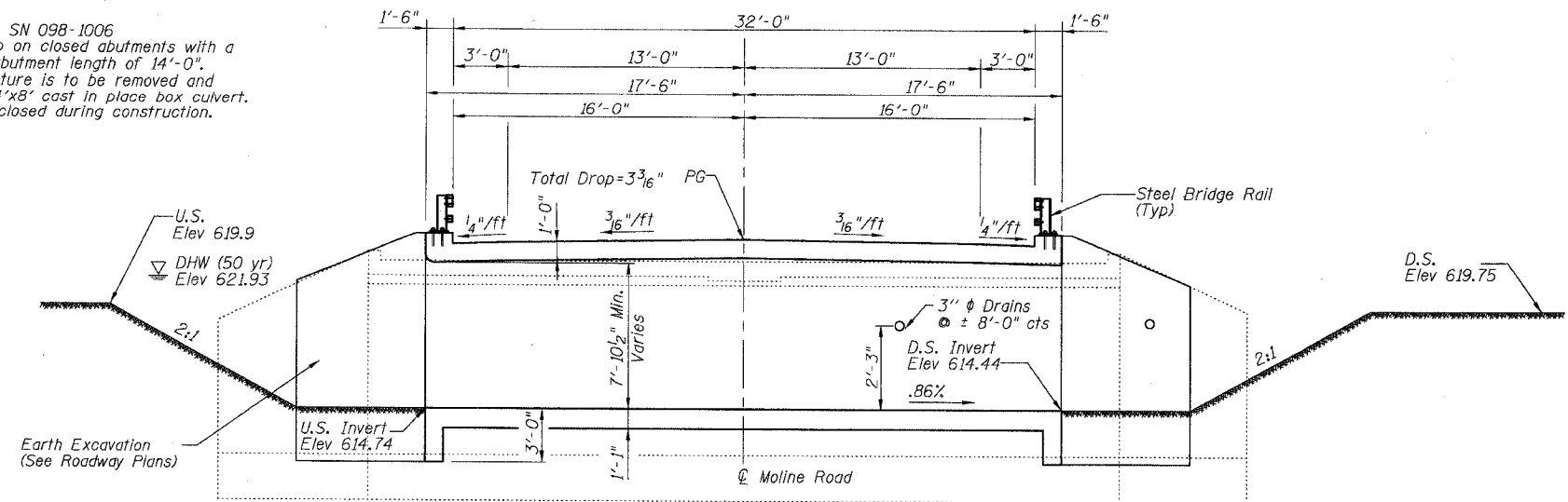
SOIL BORING LOGS			
MOLINE ROAD OVER UNNAMED TRIBUTARY TO ROCK RIVER			
FAS ROUTE 1197	SECTION 105BR-2	SN 098-0110	
STA 229+67.50	WHITESIDE COUNTY	HOMER L. CHASTAIN & ASSOCIATES, LLP CONSULTING ENGINEERS 184-001397	

STATE OF ILLINOIS
DEPARTMENT OF TRANSPORTATION

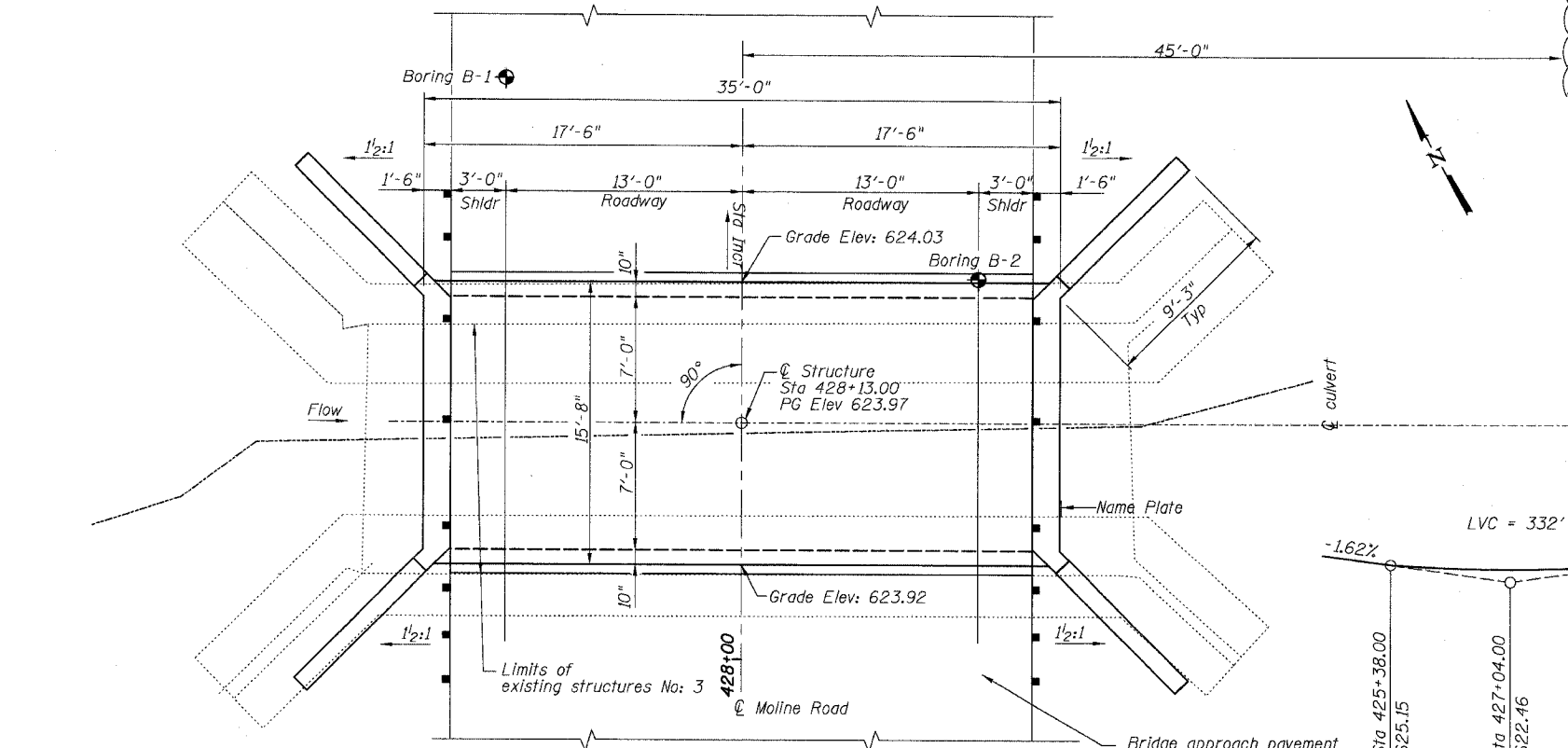
ROUTE NO.	SECTION	COUNTY	SHEET NO.	SHEET	SHEET NO. 1
FAS 1197	105-T	Whiteside	51	27	5 SHEETS
FED. ROAD DIST. NO. 7	ILLINOIS	FED. AID PROJECT	64421		

Bench Mark #409:
"□" cut on top of SW wingwall
of bridge, Sta 428+05.35, 21.4' Rt
Elev 623.39

Existing Structure SN 098-1006
A single span slab on closed abutments with a
back to back of abutment length of 14'-0".
The existing structure is to be removed and
replaced with a 14'x8' cast in place box culvert.
The Road will be closed during construction.
No salvage.



LONGITUDINAL SECTION



PLAN

Note:
Patch of wild petunias
NE of culvert should
be protected against
damage during all phases
of construction

TOTAL BILL OF MATERIAL

ITEM	UNIT	TOTAL
Concrete Box Culverts	Cu.Yd.	76.4
Reinforcement Bars, Epoxy Coated	Pound	13820
Name Plates	Each	1
Steel Bridge Rail	Lin. Ft.	32
Bridge Deck Grooving	Sq. Yd.	53
Protective Coat	Sq. Yd.	69
Removal of Existing Structures No. 3	Each	1

STATION 428+13.00
BUILT BY
STATE OF ILLINOIS
F.A.S. RT. 1197 SEC. 105-T

LOADING HS20
STR. NO. 098-1013

NAME PLATE
See Std. 515001

DESIGN SPECIFICATIONS
2002 AASHTO Standard Specifications 17th Edition

LOADING HS20-44
Allow 50# per Sq. Ft. for future
Wearing Surface

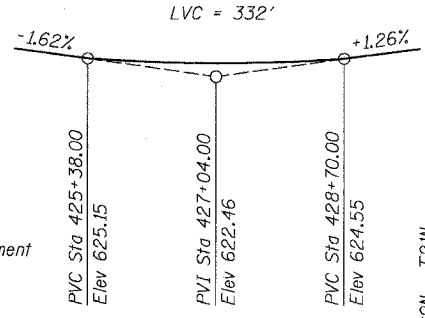
DESIGN STRESSES

f'c = 3,500 psi
fy = 60,000 psi (Reinforcement)

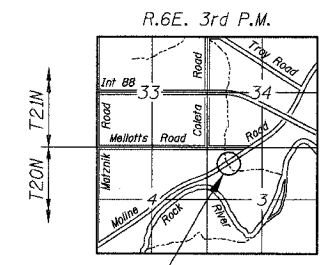
APPROVED
FOR STRUCTURAL ADEQUACY ONLY

Ralph E. Anderson
ENGINEER OF BRIDGES AND STRUCTURES

GENERAL PLAN AND ELEVATION
FAS ROUTE 1197 - SECTION 105-T
WHITESIDE COUNTY
STATION 428+13.00
STRUCTURE NO. 098-1013



PROFILE GRADE



LOCATION SKETCH

WATERWAY INFORMATION

Drainage Area = 2.07 sq mi Low Grade Elev 623.64 @ Sta 427+24.75

Flood	Freq Yr	Q C.F.S.	Opening Sq Ft		Natural H.W. Elev.	Head-Ft		Headwater El	
			Exist	Prop		Exist	Prop	Exist	Prop
Design	50	411	56.2	86.7	621.93	2.00	0.46	623.93	622.39
Base	100	465	57.7	88.5	622.06	2.11	0.55	624.17	622.61
Overtop Exist	30	363	54.6	--	621.80	1.76	--	623.56	--
Overtop Prop	500	590	--	92.5	622.35	--	0.74	--	623.09

DESIGNED	-	K.R.G.
CHECKED	-	J.L.K.
DRAWN	-	M.D.
CHECKED	-	J.L.K.



M. J. Karshner
Illinois Structural No. 081-005041 Date Expires: 11-30-2006

STATE OF ILLINOIS
DEPARTMENT OF TRANSPORTATION

ROUTE NO.	SECTION	COUNTY	TOTAL SHEETS	SHEET NO.	SHEET NO.
FAS 1197	105-T	Whiteside	51	28	5 SHEETS
FED. ROAD DIST. NO. 7	ILLINOIS	FED. AID PROJECT			64421

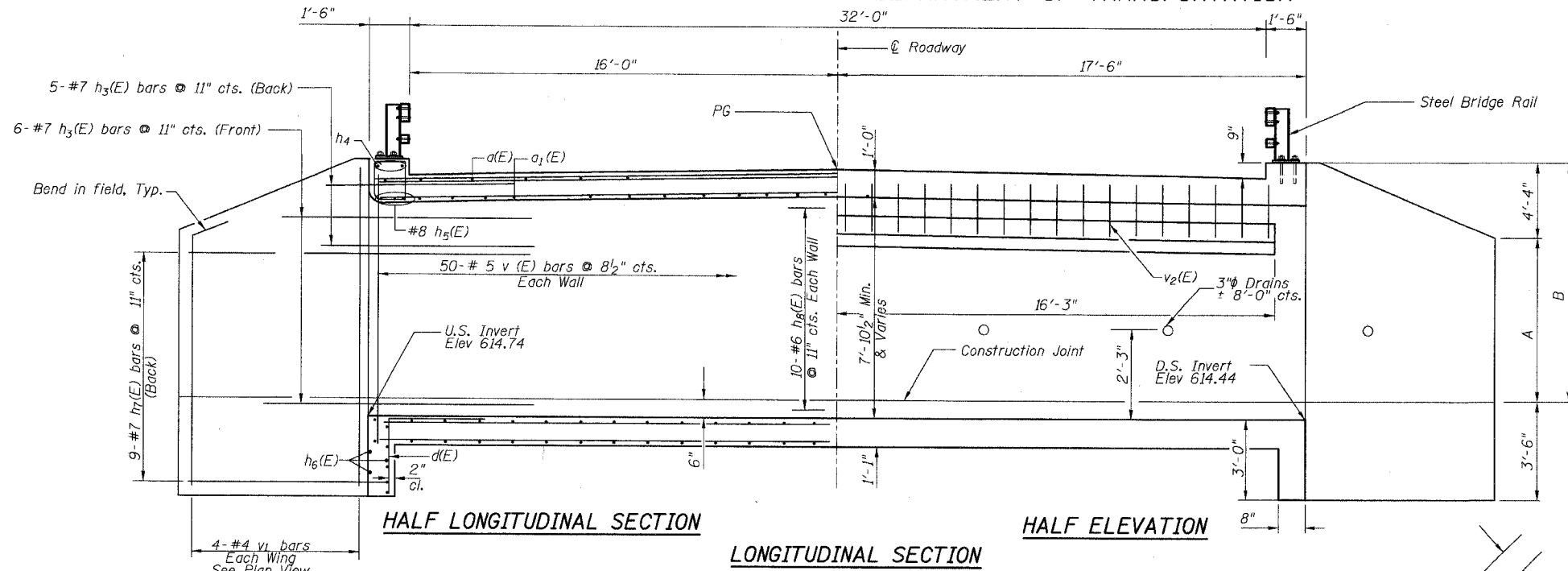


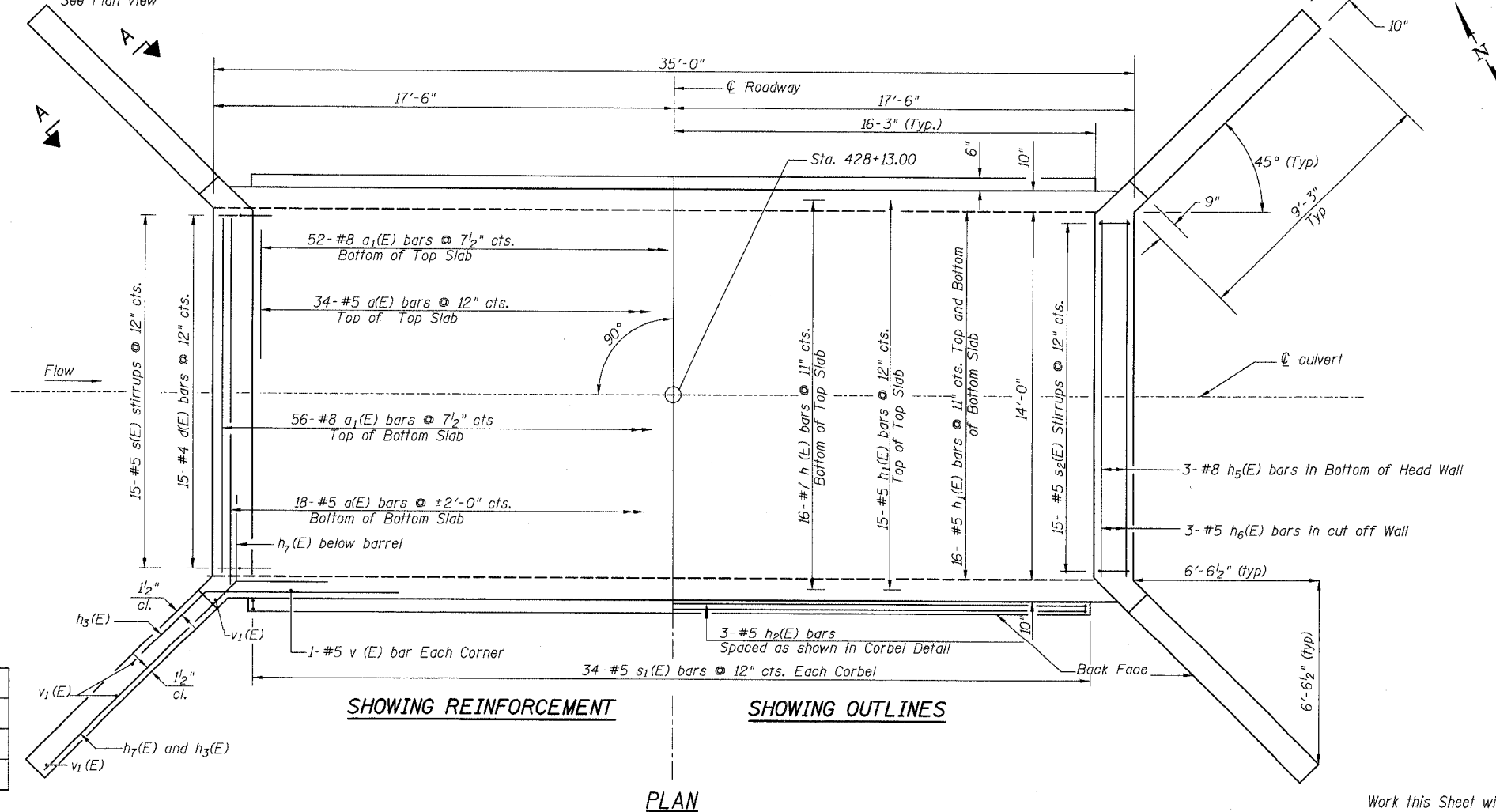
TABLE OF DIMENSIONS

LOCATION	A	B
North West Wing	4'-11 ³ / ₄ "	9'-3 ³ / ₄ "
South West Wing	4'-10 ³ / ₈ "	9'-2 ³ / ₈ "
North East Wing	5'-3 ³ / ₈ "	9'-7 ³ / ₈ "
South East Wing	5'-2"	9'-6"

BILL OF MATERIAL

Bar	No.	Size	Length	Shape
a(E)	52	#5	15'-3"	—
a1(E)	108	#8	17'-2"	U
d(E)	30	#4	4'-6"	L
h(E)	16	#7	34'-8"	—
h1(E)	47	#5	34'-8"	—
h2(E)	6	#5	32'-3"	—
h3(E)	44	#7	8'-0"	—
h4(E)	4	#6	15'-0"	—
h5(E)	6	#8	15'-0"	—
h6(E)	6	#5	15'-3"	—
h7(E)	36	#7	12'-4"	—
h8(E)	20	#6	34'-8"	—
s(E)	15	#5	5'-11"	□
s1(E)	68	#5	4'-3"	□
s2(E)	15	#5	5'-9"	□
v(E)	104	#5	9'-9"	—
v1(E)	16	#4	12'-3"	—
v2(E)	68	#5	2'-0"	—
Concrete Box Culverts			Cu. Yd.	76.4
Reinforcement Bars (Epoxy coated)			Pound	13820

Notes:
A distance of half the length of the wingwall but not less than six feet of the barrel shall be poured monolithically with the wingwalls.
Reinforcement bars designated (E) shall be epoxy coated.



CULVERT DETAILS
FAS ROUTE 1197 - SECTION 105-T
WHITESIDE COUNTY
STATION 428+13.00
STRUCTURE NO. 098-1013

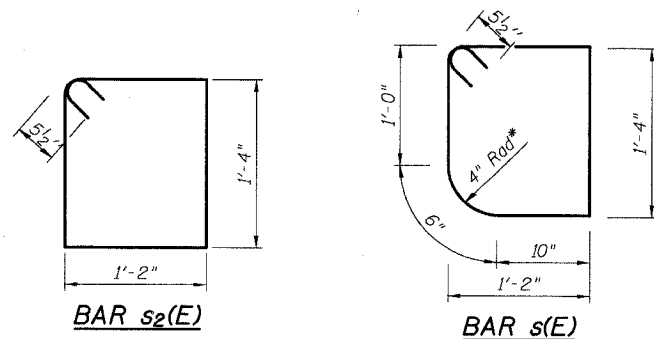
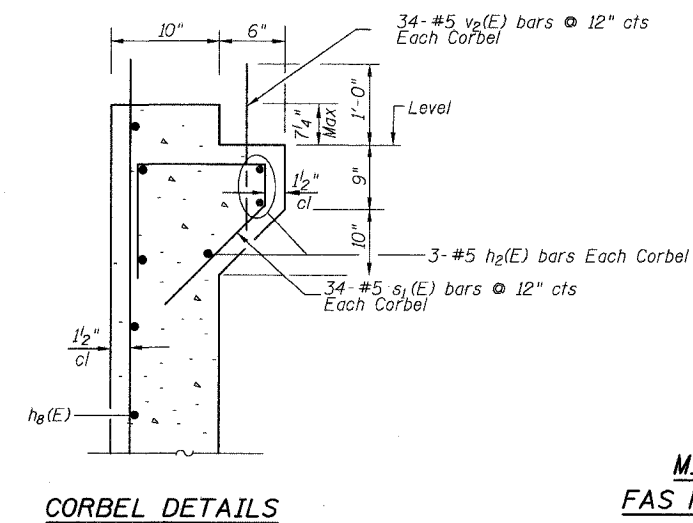
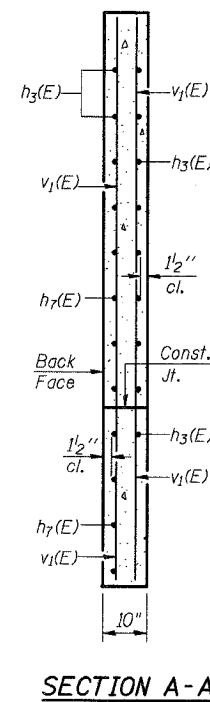
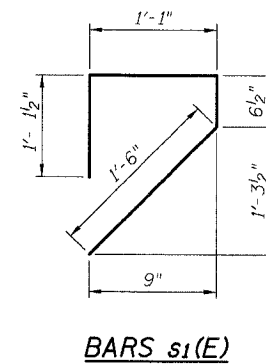
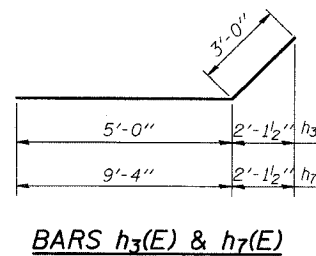
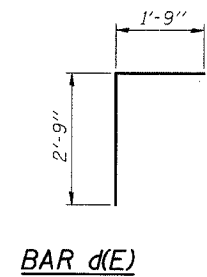
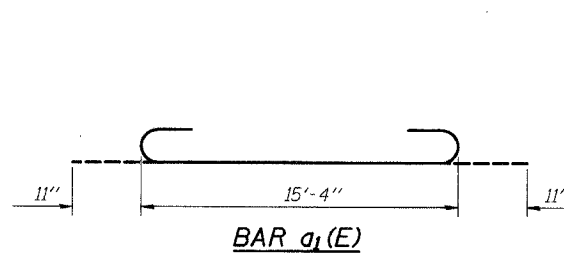
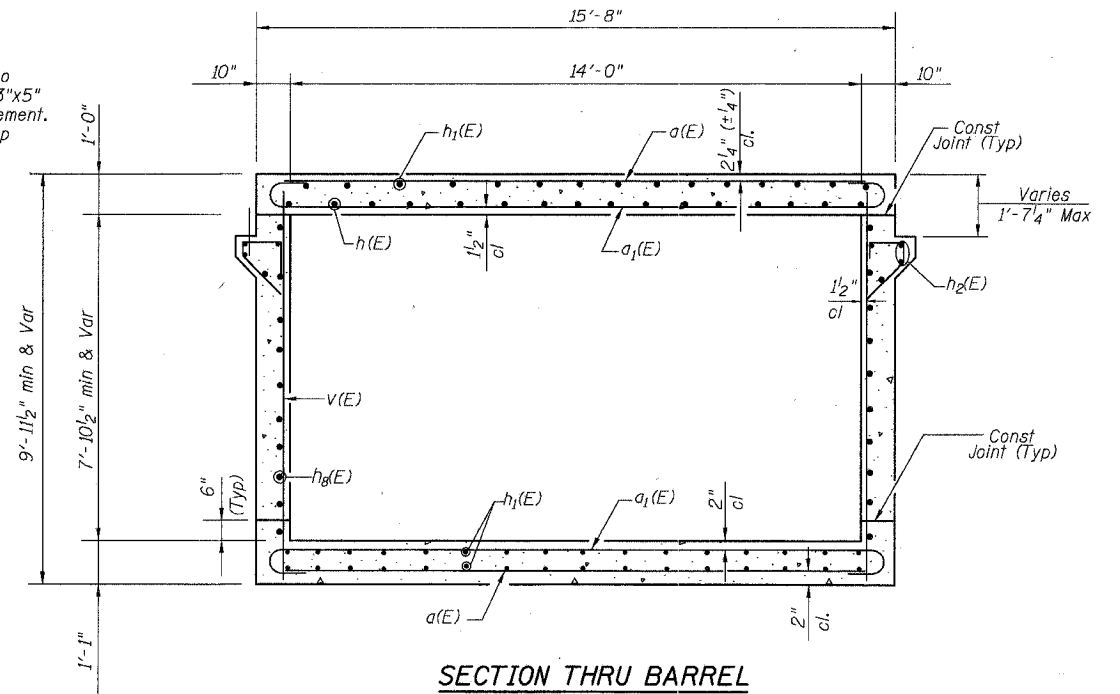
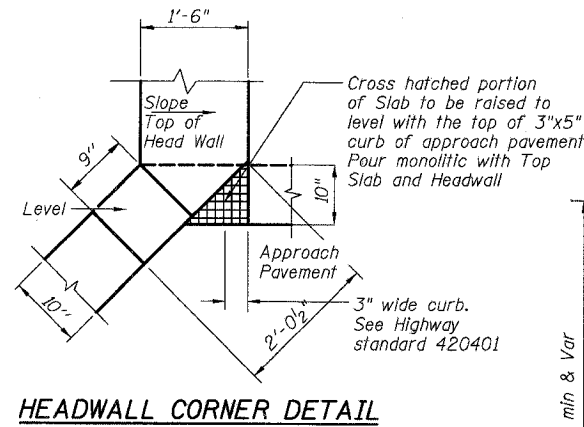
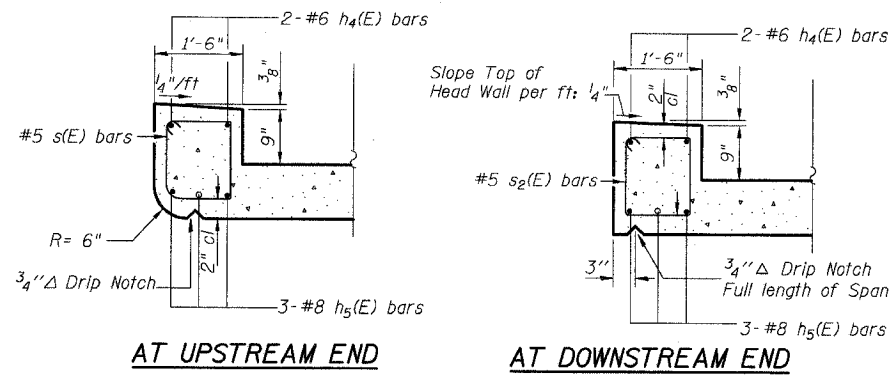
MID-AMERICA ENGINEERING SERVICES
975 South Durkin Dr, Springfield IL 62704

Work this Sheet with Sheet No. 3 of 5.

DESIGNED	-	K.R.G.
CHECKED	-	J.L.K.
DRAWN	-	M.D.
CHECKED	-	J.L.K.

STATE OF ILLINOIS
DEPARTMENT OF TRANSPORTATION

ROUTE NO. FAS 1197	SECTION 105-7	COUNTY Whiteside	SHEETS 59	SHEET 29	SHEET NO. 3 5 SHEETS 64421
FED. ROAD DIST. NO. 7		ILLINOIS		FED. AID PROJECT-	



DESIGNED	-	K.R.G.
CHECKED	-	J.L.K.
DRAWN	-	M.D.
CHECKED	-	J.L.K.

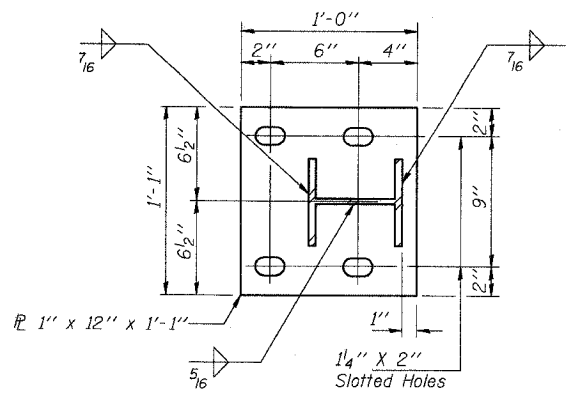
MISCELLANEOUS DETAILS
FAS ROUTE 1197 - SECTION 105-T
WHITESIDE COUNTY
STATION 428+13.00
STRUCTURE NO. 098-1013

Work this Sheet with Sheet No. 2 of 5.

MID-AMERICA ENGINEERING SERVICES
975 South Durkan Dr, Springfield IL 62704

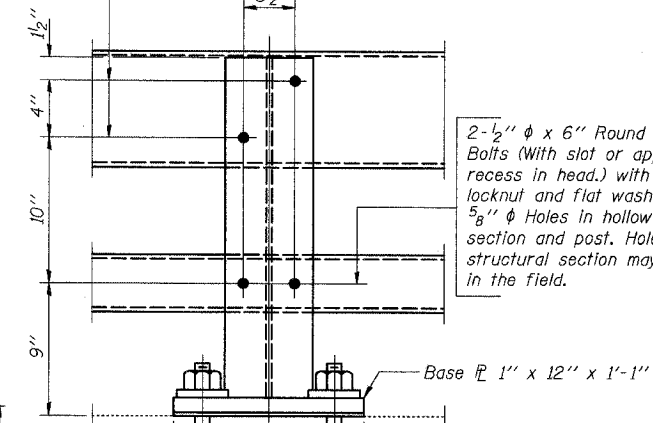
STATE OF ILLINOIS
DEPARTMENT OF TRANSPORTATION

ROUTE NO.	SECTION	COUNTY	SHEETS	SHEET NO.
FAS 1197	105-T	Whiteside	59	30
FED. ROAD DIST. NO. 7	ILLINOIS	FED. AID PROJECT-		64421

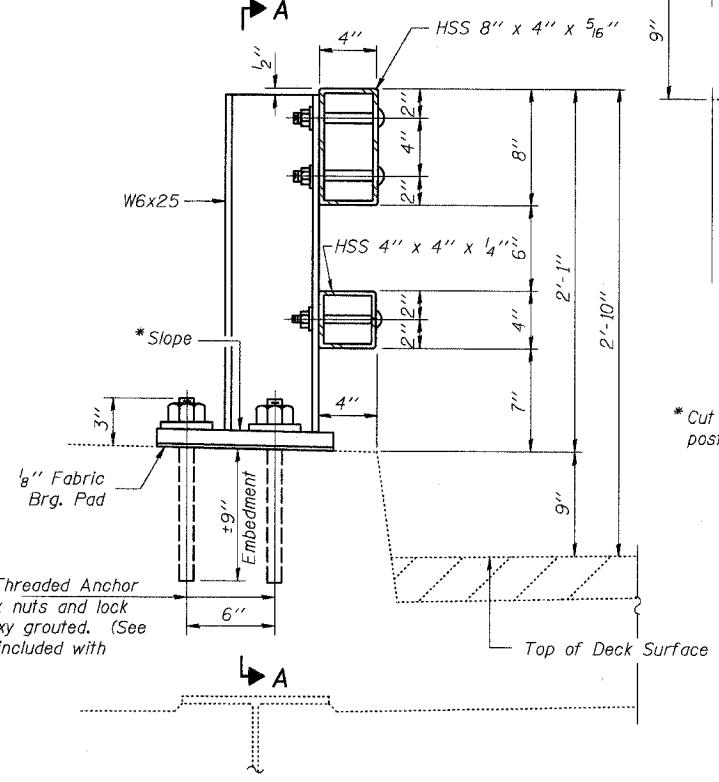


BASE PLATE DETAIL

2-3/4" ϕ x 6" Round Head Bolts (With slot or approved recess in head.) with locknut and flat washer.
7/8" ϕ Holes in tubing and posts. Holes in hollow structural section may be drilled in the field.

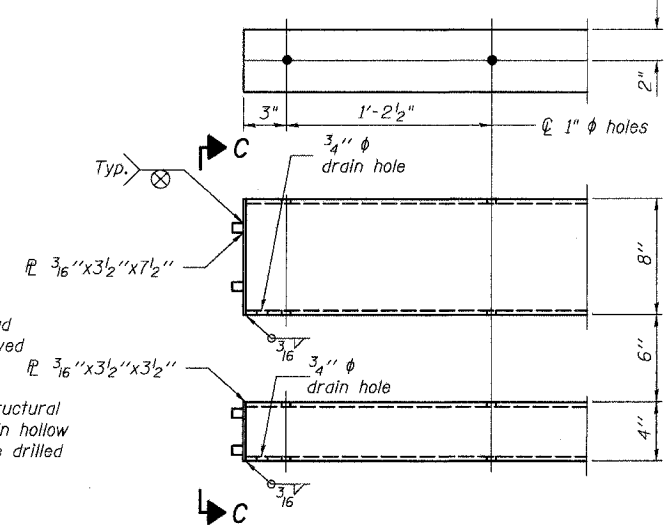


SECTION A-A

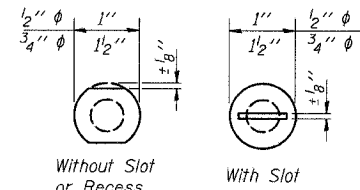


SECTION AT RAIL POST

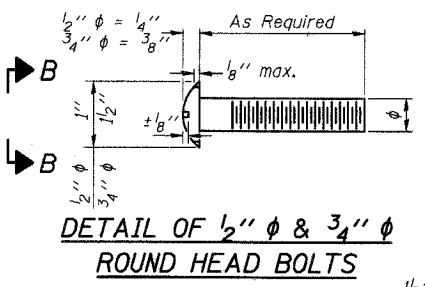
2-1/2" ϕ x 6" Round Head Bolts (With slot or approved recess in head.) with locknut and flat washer.
5/8" ϕ Holes in hollow structural section and post. Holes in hollow structural section may be drilled in the field.



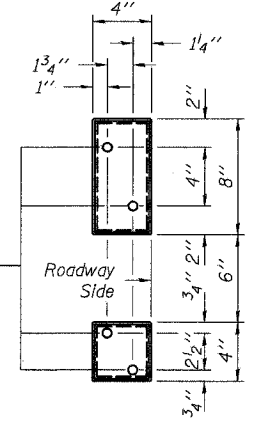
END OF RAIL DETAILS



VIEW B-B

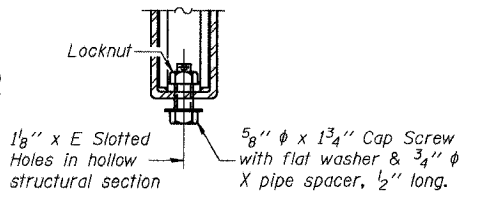


DETAIL OF 1/2" ϕ & 3/4" ϕ ROUND HEAD BOLTS



VIEW C-C

4-5/8" reduced base welded studs. Provide 4-5/8" washers and self-locking nuts or nuts and jam nuts for guardrail connection shown on Std. 631032



RAIL SPLICE CONNECTION AT EXPANSION JT.

NOTES

Hollow structural sections shall conform to the requirements of ASTM designation A 500, Grade B, Structural Steel Tubing and shall meet the longitudinal CVN requirements of 15 ft-lbs at 0°F.
All other steel shapes and plates shall conform to the requirements of AASHTO M 270 Grade 36 except posts shall conform to AASHTO M 270, Grade 50.
Bolts, cap screws and nuts shall conform to the requirements of ASTM designation A 307 except that threaded rods, nuts and washers shall conform to AASHTO M 164.
All bolts, nuts, cap screws, washers and lock washers shall be galvanized according to AASHTO M 232.
All posts, railing, rail splices and anchor rods shall be galvanized after shop fabrication according to AASHTO M 111 and ASTM A 385. Galvanized rail shall not be painted.
Railing shall be according to Section 509 of the Standard Specifications, except as noted, and will be paid for at the contract unit price per foot for Steel Bridge Rail.
All field drilled holes shall be coated with an approved zinc rich paint before erection.
Posts shall not be located closer than 1'-3" to an existing bridge expansion joint or end of bridge.
Steel Bridge Rail expansion joint shall be provided between any two (2) posts which span a bridge expansion joint. Bolts located at expansion joint shall be provided with locknuts and shall be tightened only to a point that will allow railing movement.
Provide one 1/8" and two 1/4" steel shims for 25% of the posts. Shims shall be similar to base plates in size and holes.
Expansion joint width shall be "D" at 50° F and shall be adjusted for other temperatures according to Article 503.10(c) of the Standard Specifications.
The Contractor shall use the capsule or the adhesive cartridge type anchor rods that have been previously tested and given a prior approval by the Department. The Contractor shall install these anchor rods in pre-drilled holes according to the manufacturer's recommendations and procedures. The capsule or the adhesive cartridge shall be sealed with pre-measured amounts of the adhesive chemical.
Nuts for 1" ϕ threaded anchor rods connecting the base plate to the concrete shall be tightened to a snug fit and given an additional 1/8 turn.

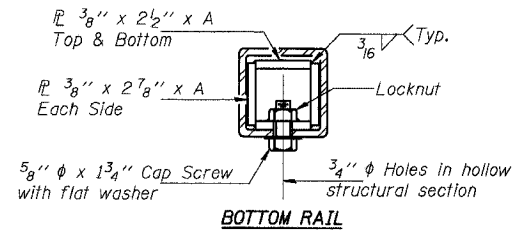
BILL OF MATERIAL

Item	Unit	Quantity
Steel Bridge Rail	Foot	32

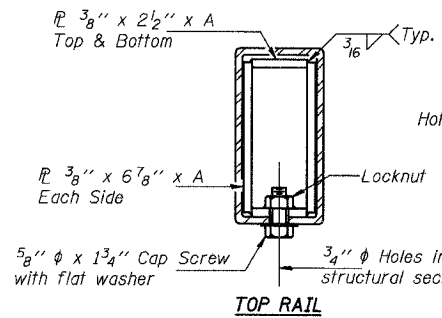
SPLICE DIMENSIONS

T	D	A	B	C	E
≤4"	2 1/2"	1'-8"	2"	4"	2 1/2"
>4" ≤6 1/2"	3 3/4"	2'-0"	2 1/2"	5 1/2"	3 1/2"
>6 1/2" ≤9"	5"	2'-4"	3 1/2"	6 1/2"	9"
>9" ≤13"	7"	2'-10"	4 1/2"	8 1/2"	11"
Rail Splice	1/4"	1'-8"	2"	4"	—

T = Total movement at expansion joint as shown on the design plans.



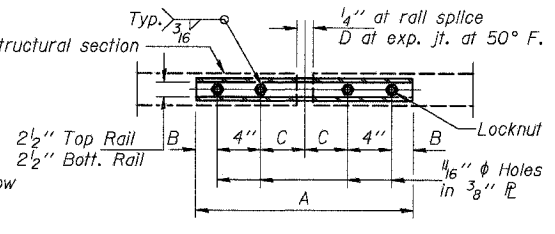
BOTTOM RAIL



TOP RAIL

SECTIONS AT RAIL SPLICE

(6'-3" Maximum Post Spacing)



PLAN-BOTT. SPLICE R TYPICAL

DESIGNED	-	K.R.G.
CHECKED	-	J.L.K.
DRAWN	-	M.D.
CHECKED	-	J.L.K.

R-31 10-31-02

STEEL BRIDGE RAIL
CURB MOUNTED (2399)
FAS ROUTE 1197 - SECTION 105-T
WHITESIDE COUNTY
STATION 428+13.00
STRUCTURE NO. 098-1013

MID-AMERICA ENGINEERING SERVICES
975 South Durkun Dr, Springfield IL 62704

FILE NO.	SECTION	COUNTY	TOTAL SHEETS	SHEET NO.
1197	105 BR-2	WHITESIDE	59	32
STA.		TO STA.		
EXISTING CONDITIONS:				

CONTRACT 64421

FOR INFORMATION ONLY

STATE OF ILLINOIS
DEPARTMENT OF PUBLIC WORKS & BUILDINGS
DIVISION OF HIGHWAYS

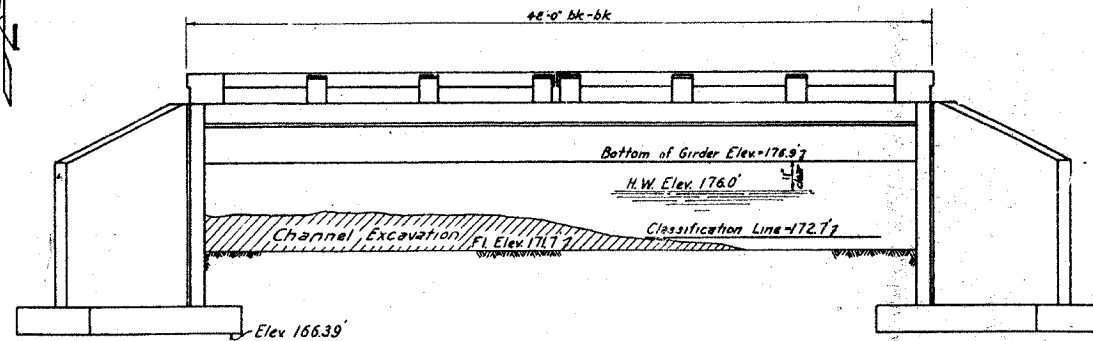
DATE	SECTION	COUNTY	TOTAL SHEETS	SHEET NO.
105 BY	Whiteside	9	6	

SHEET NO. 1
3 SHEETS

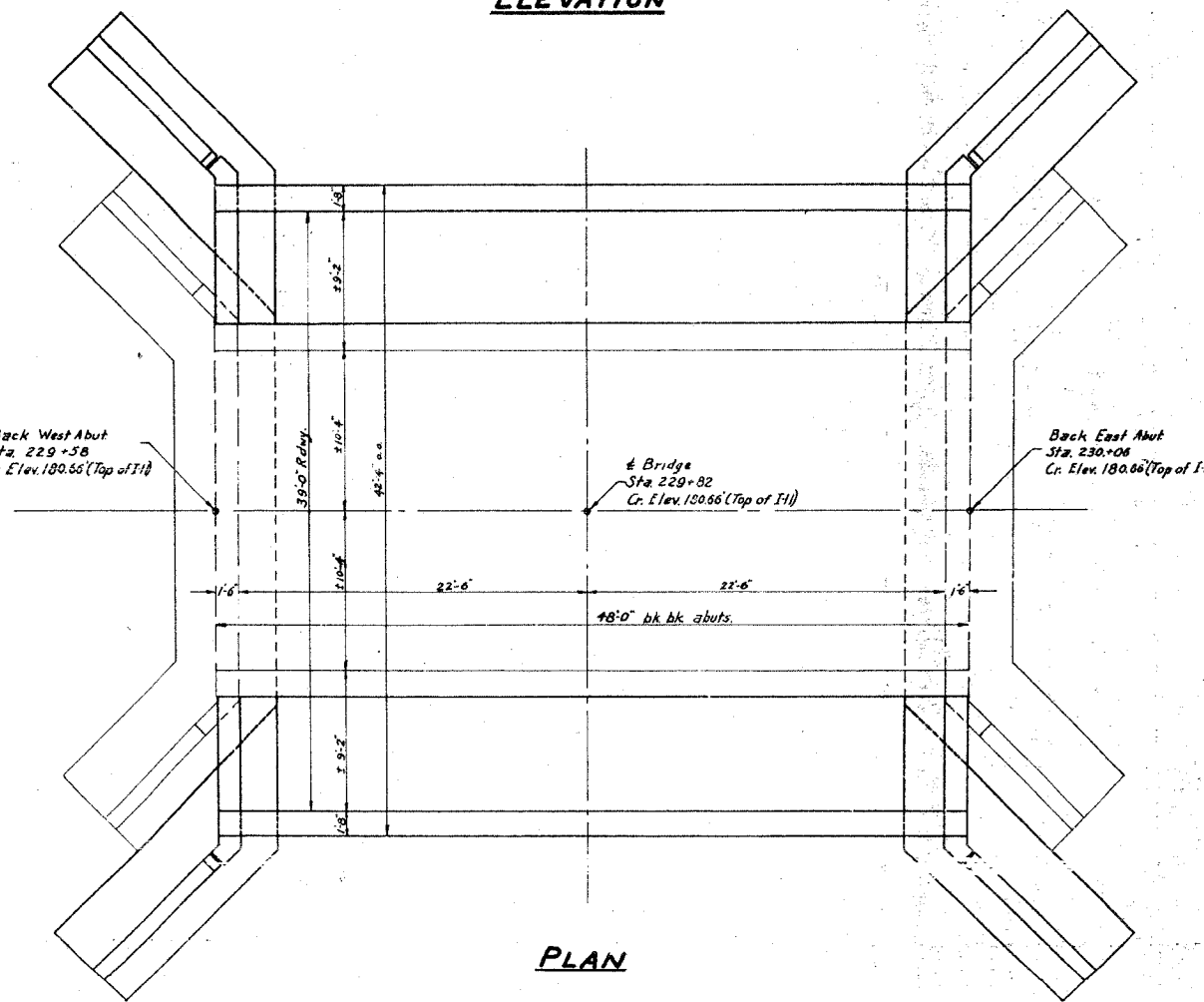
B.M. "o" Top of N.W. Wing of Bridge
Elev. 180.39 - 518.31 U.S.G.S. datum
Existing Bridge: R.C. Deck Girders; 1 Span
@ 45' on R.C. Closed Abut 22' Rdwy.
Built 1929
Remove portions of Super and
Sub as indicated

WATERWAY INFORMATION

Drainage Area 6000 Acres
Character level, sand, clay, wooded & cultivated
Required Opening 188 Sq. ft.
Present Opening 135 Sq. ft.
Proposed Opening 194 Sq. ft.



ELEVATION



PLAN

STATION 229+82
BUILT 195 BY
STATE OF ILLINOIS
S.B.I. RT. 86 SEC. 105 BY
LOADING H20

Name Plate
See Std. 2113

DESIGN STRESSES

$f_c = 1400 \text{ psi}$ Super
 $f_c = 800 \text{ psi}$ Sub
 $f_s = 20000 \text{ psi}$ Reinf
 $f_s = 18000 \text{ psi}$ Struct.
 $n = 10$

DESIGNED: Edward M. Egan
CHECKED: George P. ...
DRAWN: E.M.F. R. Rash
CHECKED: ...
EXAMINED: V.M. ...
APPROVED: R.L. ...
MARCH 4 1955

GENERAL NOTES

Class "X" concrete shall be used throughout except in handrails. Handrail concrete shall be used in handrails. The concrete girder and floor slabs shall be poured in one continuous operation between joints on either side of the existing structures except for part shown to be poured after falsework has been removed, and the floor slab shall be finished in accordance with Section 2 of the Standard Specifications. The handrail shall not be poured until after the falsework has been removed. The following surfaces of the bridge shall be waterproofed: Back of abutments and wingwalls, from top of wall or slab to top of footing. Waterproofing shall be done in accordance with article 51.20 of the Standard Specifications. The contract unit price for expansion bolts shall include furnishing, drilling holes, and setting expansion bolts.

TOTAL BILL OF MATERIAL

	Super	Sub	Total
Class "X" Concrete	Cu. Yds. 48.7	71.4	120.1
Handrail Concrete	Cu. Yds. 2.5		2.5
Reinforcement Bars	Lbs. 12420	3950	16370
Masonry Removal	Cu. Yds. 16.0	2.0	18.0
Name Plates	Each		One
Expansion Bolts	Each	8	36
Untreated Timber Piles	Lin. Ft.		780
Test Pile (Timber)	Each		One
Channel Excavation	Cu. Yds.		220
Class "A" Exc. For Structures	Cu. Yds.		180
Class "B" Exc. For Structures	Cu. Yds.		230
Structural Steel	Lbs.	1620	1620

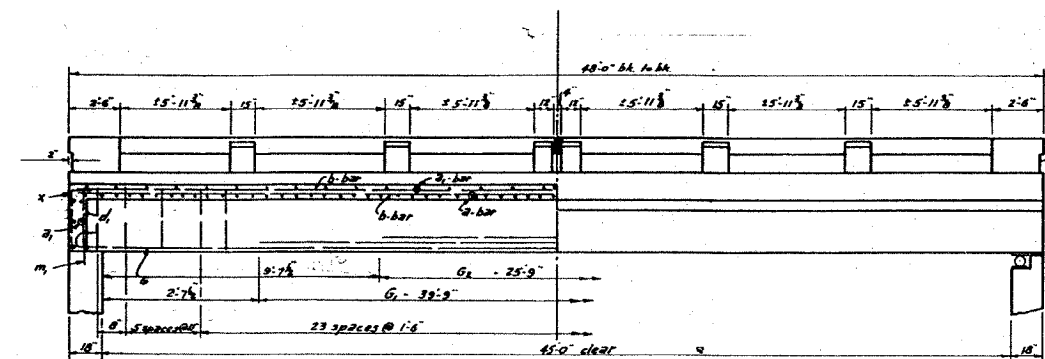
GENERAL PLAN & ELEVATION
S.B.I. RT. 86 SEC. 105-BY
WHITESIDE COUNTY
STA. 229+82

Loading H20

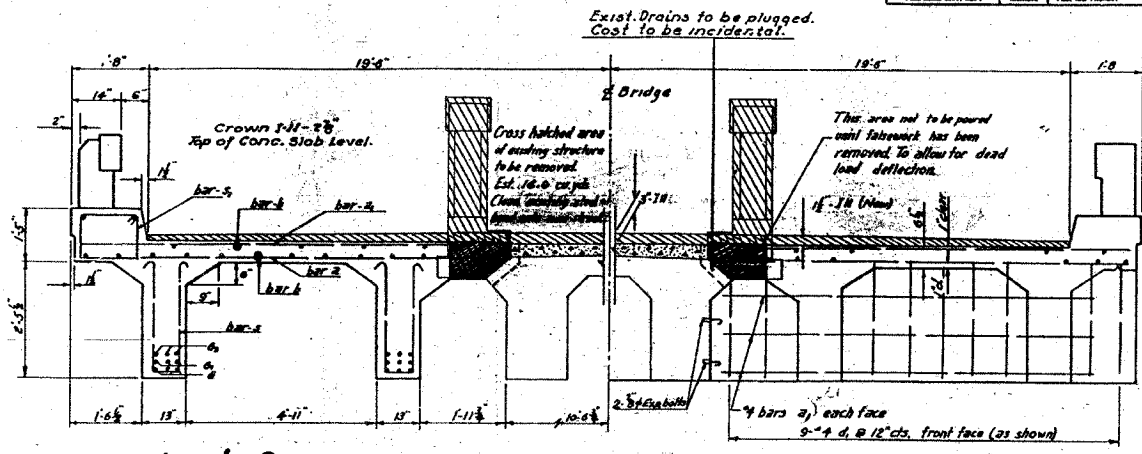
STATE OF ILLINOIS
DEPARTMENT OF PUBLIC WORKS & BUILDINGS
DIVISION OF HIGHWAYS

FOR INFORMATION ONLY

PROJECT NO.	SECTION	COUNTY	TOTAL SHEETS	SHEET NO.
R.A. 86	105BY	Whiteside	9	7
SHEET NO. 2				
3 SHEETS				

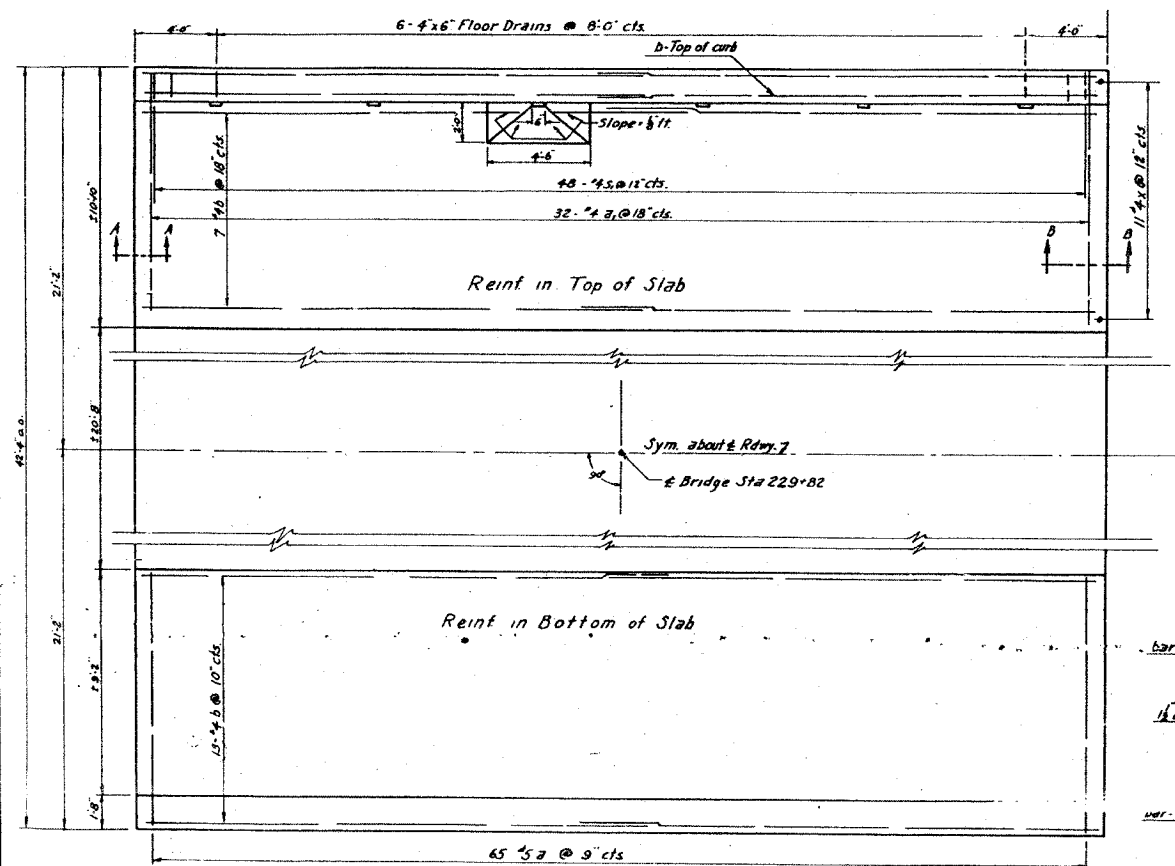


ELEVATION



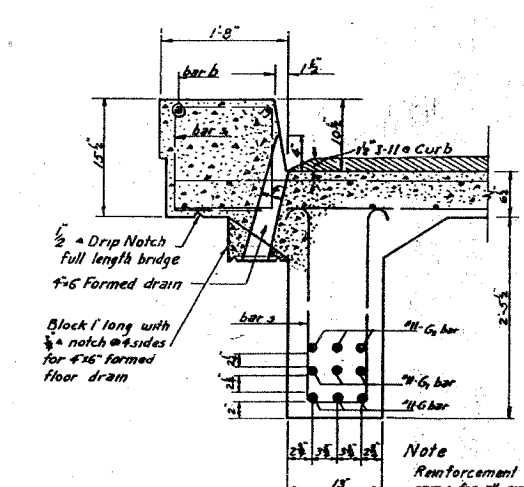
AT & SPAN

AT ABUTMENT



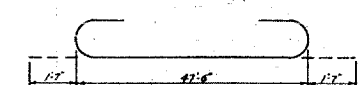
Reinf. in Top of Slab

Reinf. in Bottom of Slab

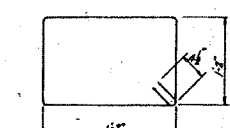


GIRDER DETAIL

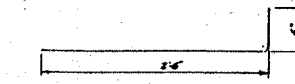
CROSS SECTION



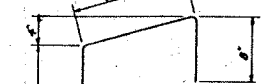
BAR G



BAR S1



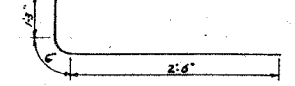
BAR D



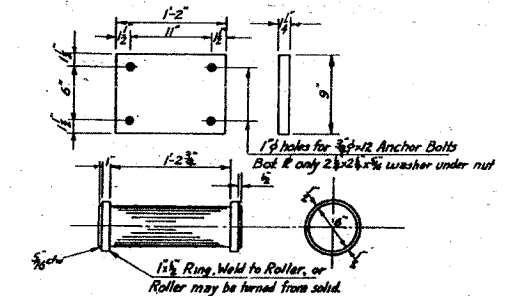
BAR F



BAR S



BAR X



ROLLER & PLATES DETAIL

BILL OF MATERIAL

Bars	No.	Size	Length	Shape	
a	130	5	10'-4"	—	
a1	88	4	10'-4"	—	
b	88	4	24'-6"	—	
d	68	5	3'-0"	—	
d1	36	4	2'-7"	—	
G	12	11	50'-8"	—	
G1	12	11	39'-9"	—	
G2	12	11	25'-9"	—	
f	32	4	2'-3"	—	
e	18	5	29'-5"	—	
x	48	4	4'-5"	—	
s	138	4	6'-8"	—	
s1	96	4	5'-3"	—	
Class "X" Concrete				cu yds.	48.7
Handrail Concrete				cu yds.	2.5
Reinforcement Bars				lbs	12420
Masonry Removal				cu yds.	16.0
Expansion Bolts				each	8
Name Plate				each	One
Structural Steel				lbs	1620

SECTION AA

SECTION BB

DESIGNED: *Edward M. Foster*
 CHECKED: *George J. Pender*
 DRAWN: *E.M.F.* R.Rash
 CHECKED: *ET*

EXAMINED: *W.M. Romine*
 PASSED: *Ed. B. ...*
 APPROVED: *R.R. Baileman*
 MAR 4 1955 PLAN

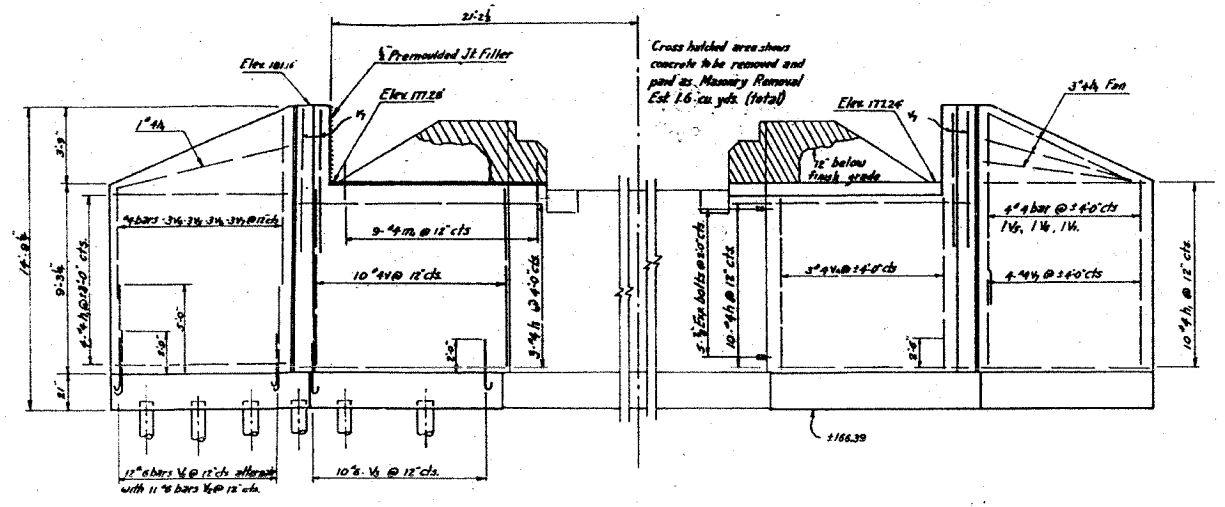
SUPERSTRUCTURE
SBI RT 86 SEC 105 BY
WHITESIDE COUNTY
STA 229 + 82

FOR INFORMATION ONLY

STATE OF ILLINOIS
DEPARTMENT OF PUBLIC WORKS & BUILDINGS
DIVISION OF HIGHWAYS

ROUTE NO.	SECTION	COUNTY	TOTAL SHEETS	SHEET NO.
S.A. 86	105 BY	Whiteside	9	8

SHEET NO. 3
3 SHEETS.



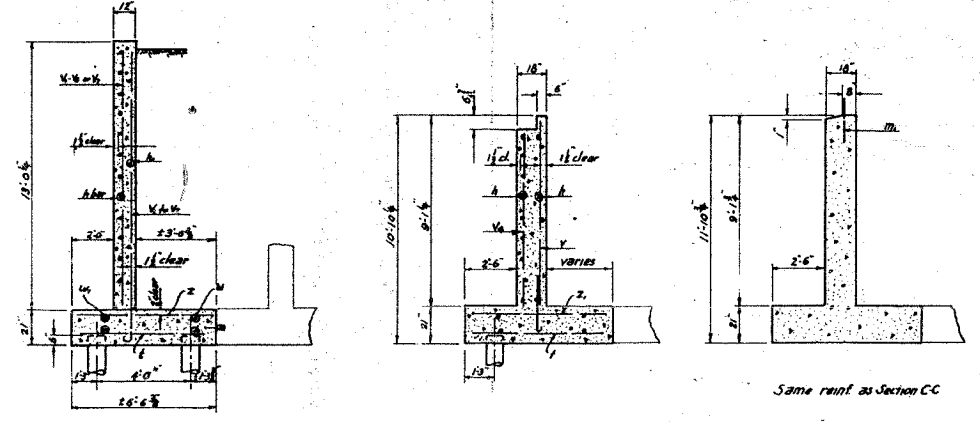
REINE BACK FACE

Elevation as seen on West Abut.

REINE FRONT FACE

Elevation as seen on East Abut.

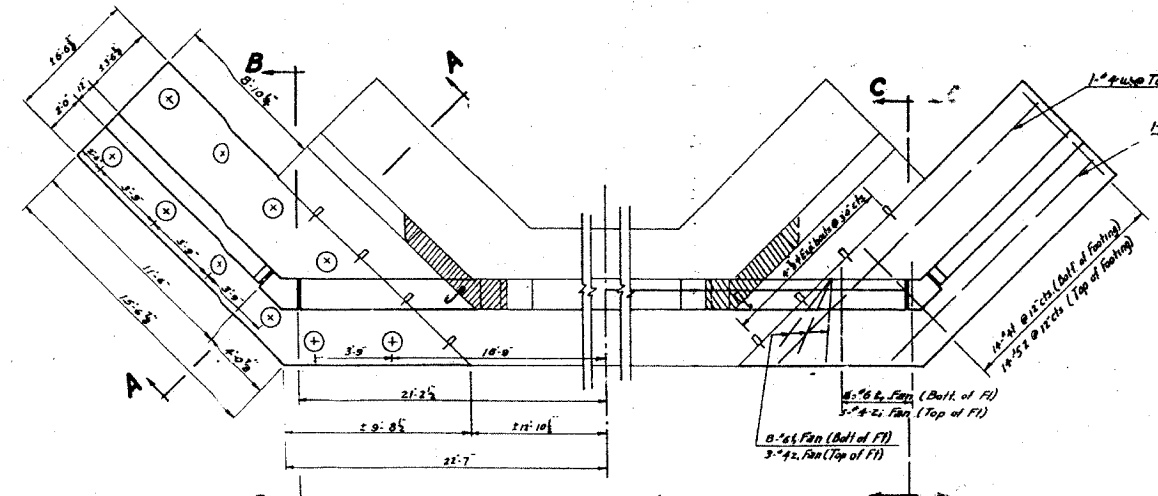
ELEVATION



SEC. AA

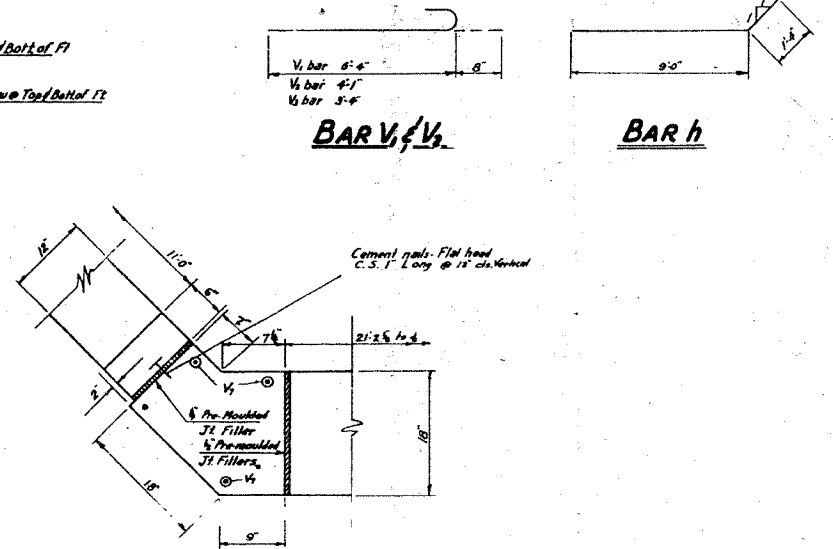
SEC. CC

SEC. BB



PLAN

American Double Unit, Exp. Bolt or Equal



CORNER DETAIL

**BILL OF MATERIALS
2 ABUTMENTS**

Bars	No.	Size	Length	Shape
V	40	4	7'-0"	U
V	44	6	7'-0"	U
V	44	6	4'-9"	U
V	40	6	4'-0"	U
V	24	4	8'-6"	U
V	16	4	7'-6"	U
V	16	4	6'-9"	U
V	52	4	5'-0"	U
f	56	4	6'-3"	U
h	56	6	11'-6"	U
Z	56	5	6'-3"	U
Z	32	4	4'-6"	U
h	52	4	10'-4"	U
h	72	4	11'-0"	U
w	8	4	18'-3"	U
w	8	4	16'-0"	U
m	18	4	5'-0"	U
Class x Concrete				Cu. yds. 71.4
Reinf. Bars				lbs. 3950
Expansion Bolts				Each 36
Masonry Removal				Cu. yds. 2.0
Untreated Timber Piles				Lin. Ft. 780
Test Piles				Each One

D. SIGNED: Edward M. France
CHECKED: George P. ...
DR. BY: E. M. F. R. Rosh
C. ED: ...

EXAMINED: ...
PASSED: ...
APPROVED: ...

DETAIL OF EXPANSION BOLT

MAR 4 1955
6" Old struct. 12" New struct.

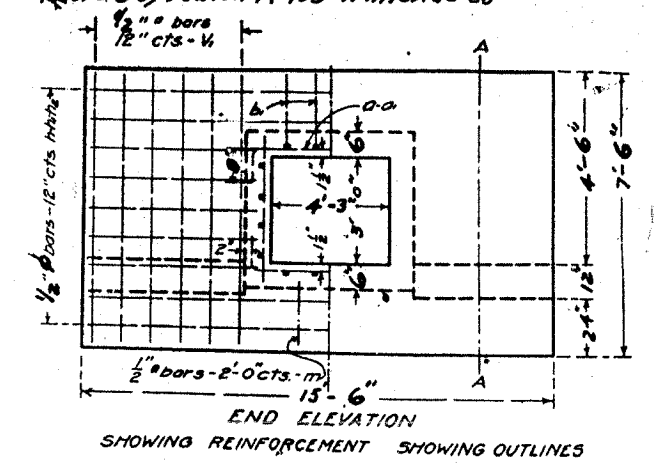
FILE DATA

12" Untreated Piles
Est. Length 20.00
Min. Capacity - 20 Tons
No. Required - 40

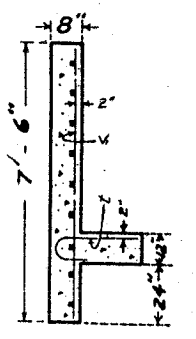
**ABUTMENTS
SBI RT 86 SEC 105 BY
WHITESIDE COUNTY
STA. 229+82**

FED. ROAD DIST. NO.	STATE	FED. AID PROJ. NO.	FISCAL YEAR	SHEET NO.	TOTAL SHEETS
7	ILL	121	1928	74	83

FED. ROAD DIST. NO.	STATE	FED. AID PROJ. NO.	FISCAL YEAR	SHEET NO.	TOTAL SHEETS
7	ILL	121	1928	74	83



ILD TOPS OF HEAD-WALLS
LEL TO GRADE LINE.

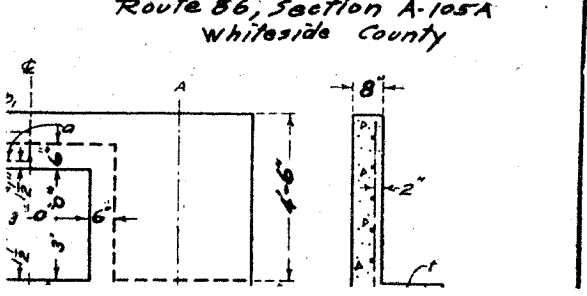


Bars	No.	Size	Length
V	186	1/2" #8	3'-9"
h	6	1/2" #8	15'-0"
h ₁	10	1/2" #8	8'-0"
h ₂	10	1/2" #8	6'-0"
a	482	1/2" #8	5'-0"
a	28	1/2" #8	6'-6"
b	32	3/4" #8	25'-0"
b	20	1/2" #8	20'-6"
l	24	1/2" #8	4'-6"
m	2	1/2" #8	5'-0"
Steel-Lbs.			3870
Concrete-Cu Yds.			31.6

Class A concrete to be used throughout. Proportions 1:2 1/2:4. Use 'm' bars in downstream headwall only.

Sta. 398+00
S.B.I. Route 86 Sec. 105

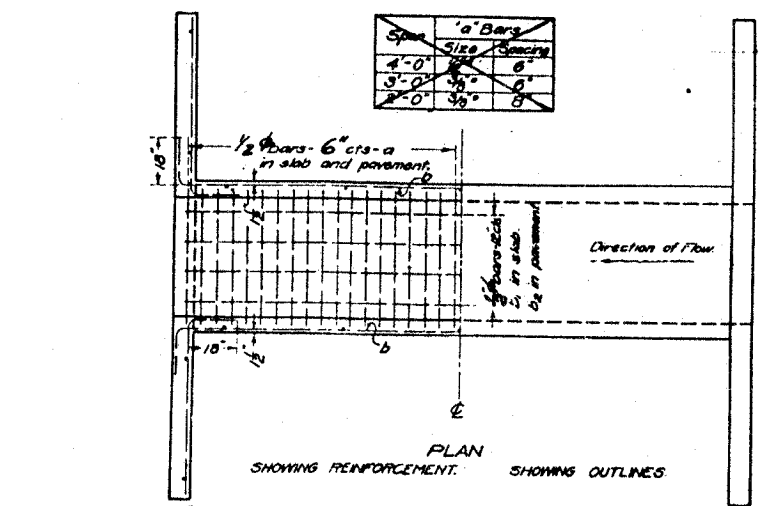
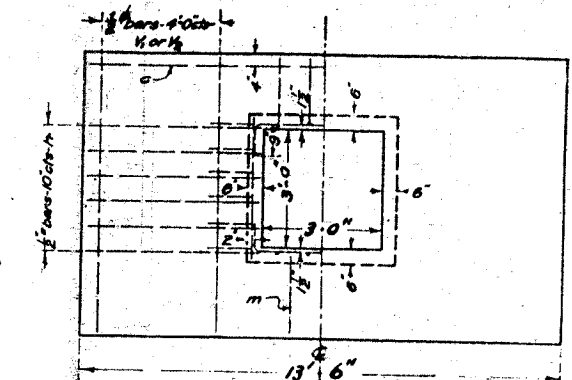
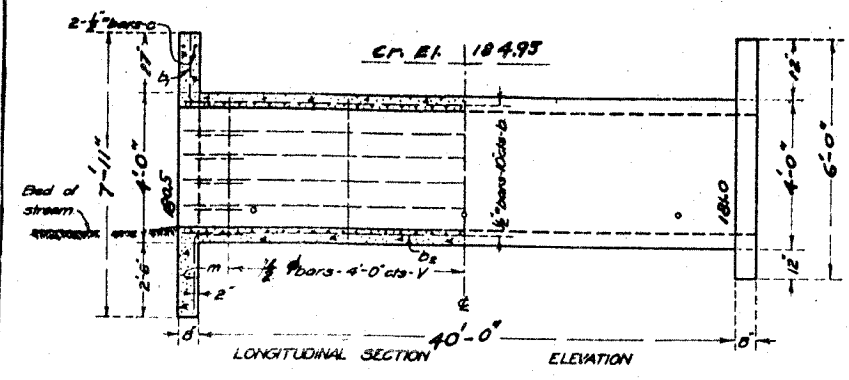
FED. ROAD DIST. NO.	STATE	FED. AID PROJ. NO.	FISCAL YEAR	SHEET NO.	TOTAL SHEETS
7	ILL	121	1928	74	83



Sta. 427+50 El. 183.89
V.C. 200' Ext. 0.79
Grades -1.60% & +1.543%

STATE OF ILLINOIS
STATE HIGHWAY DEPARTMENT
REINFORCED CONCRETE BOX CULVERT

FED. ROAD DIST. NO.	STATE	FED. AID PROJ. NO.	FISCAL YEAR	SHEET NO.	TOTAL SHEETS
7	ILL	121	1928	74	83



Note:
Fill over box should be limited to 4'-0".
Maximum Clearance = 4'-0"
Use 'm' bars in downstream headwall only.

ADJUST HEIGHT OF HEAD WALLS TO BE 12 INCHES ABOVE SHOULDER ELEVATION.

BUILD TOPS OF HEAD-WALLS PARALLEL TO GRADE LINE.

Bars	No.	Size	Length
V	22	1/2" #8	3'-9"
h	4	1/2" #8	7'-6"
h	20	1/2" #8	6'-6"
a	164	1/2" #8	5'-0"
b	20	3/4" #8	23'-0"
b	6	1/2" #8	22'-6"
l	4	1/2" #8	21'-6"
m	2	1/2" #8	5'-0"
Steel-Lbs.			1370
Concrete-Cu Yds.			14.6

Class A concrete to be used throughout
Proportions 1-2 1/2-4

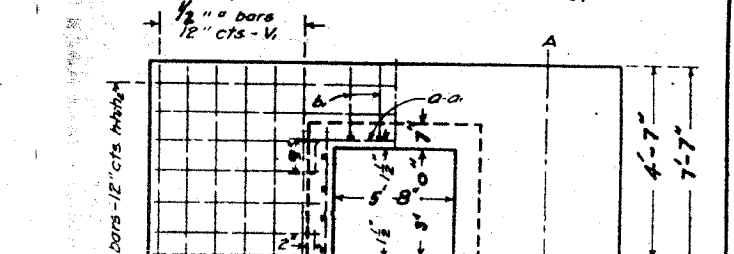
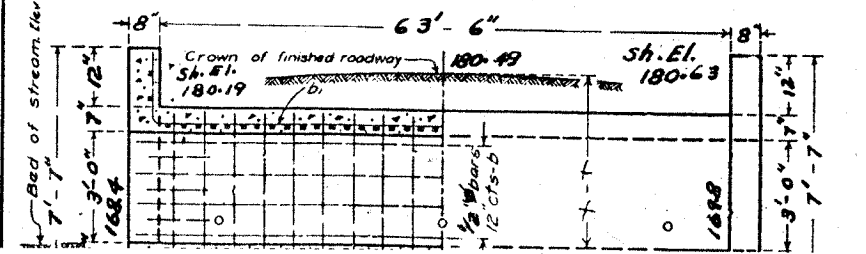
Sta. 428+10
Rte 86 sec. 105
Whiteside County

STANDARD SPECIFICATIONS FOR CONSTRUCTION OF PUBLIC WORKS
APPROVED BY THE BOARD OF SUPERVISORS
J. H. Bunch
ENGR. OF DESIGN

Grade 0.00%
Radius 2864.93
Super 3/4" : 1"
@ Culvert 0.132' : 1'
P.C. 372+45.2

STATE OF ILLINOIS
DEPARTMENT OF PUBLIC WORKS & BUILDINGS
DIVISION OF HIGHWAYS

FED. ROAD DIST. NO.	STATE	FED. AID PROJ. NO.	FISCAL YEAR	SHEET NO.	TOTAL SHEETS
7	ILL	121	1928	74	83



STORM WATER POLLUTION PREVENTION PLAN

EROSION CONTROL PLAN

F.A.S. RTE.	SECTION	COUNTY	TOTAL SHEETS	SHEET NO.
1197	105 BR-2 & 105-T	WHITESIDE	59	36
STA. 224+00 & 429+00		TO STA. 232+00 & 425+00		
FED. ROAD DIST. NO.		ILLINOIS	FED. AID PROJECT	

64421

THE FOLLOWING PLAN WAS ESTABLISHED AND INCLUDED IN THESE PLANS TO DIRECT THE CONTRACTOR IN THE PLACEMENT OF TEMPORARY EROSION CONTROL SYSTEMS AND TO PROVIDE A STORM WATER POLLUTION PREVENTION PLAN FOR COMPLIANCE UNDER NPDES.

THE PURPOSE OF THIS PLAN IS TO MINIMIZE SILTATION WITHIN THE CONSTRUCTION ZONE AND TO ELIMINATE SEDIMENTS FROM ENTERING AND LEAVING THE CONSTRUCTION ZONE BY UTILIZING PROPER TEMPORARY EROSION CONTROL SYSTEMS AND PROVIDING GROUND COVER WITHIN A REASONABLE AMOUNT OF TIME.

CERTAIN ITEMS, AS SHOWN IN THIS PLAN AND REFERENCED BY THE LEGEND, SHALL BE PLACED BY THE CONTRACTOR AT THE BEGINNING OF CONSTRUCTION. OTHER ITEMS SHALL BE PLACED BY THE CONTRACTOR AS DIRECTED BY THE ENGINEER ON A CASE BY CASE SITUATION RESULTING FROM THE CONTRACTOR'S SEQUENCE OF ACTIVITIES, TIME OF YEAR, AND EXPECTED WEATHER CONDITIONS.

THE CONTRACTOR SHALL PLACE PERMANENT EROSION CONTROL SYSTEMS AND SEEDING WITHIN A REASONABLE AMOUNT OF TIME; THEREFORE, REDUCING THE AMOUNT OF AREA BEING OPEN TO THE POSSIBILITY OF EROSION AND REDUCING THE AMOUNT OF TEMPORARY SEEDING. THE RESIDENT ENGINEER WILL DETERMINE IF TEMPORARY EROSION CONTROL SYSTEMS SHOWN IN THE PLAN CAN BE DELETED, THE SIZE OF THE PROPOSED DITCH CHECKS, THE PROPER METHOD OF INSTALLATION, AND IF ANY ADDITIONAL TEMPORARY EROSION CONTROL SYSTEMS SHALL BE ADDED WHICH ARE NOT INCLUDED IN THE PLANS. THE CONTRACTOR SHALL PERFORM ALL WORK AS DIRECTED BY THE ENGINEER AND AS SHOWN IN STANDARD 280001 OF THE PLANS.

SITE DESCRIPTION

DESCRIPTION OF CONSTRUCTION ACTIVITY:

THIS PROJECT CONSISTS OF REMOVAL AND REPLACEMENT OF A SINGLE SPAN CONCRETE TEE BEAM BRIDGE WITH A 3 SPAN REINFORCED CONCRETE DECK SLAB BRIDGE AND THE REMOVAL AND REPLACEMENT OF A SINGLE SPAN SLAB BRIDGE WITH A CAST-IN-PLACE BOX CULVERT. WORK ALSO INCLUDES EARTHWORK, PAVEMENT REMOVAL, FULL-DEPTH BITUMINOUS PAVEMENT, BITUMINOUS BASE & SURFACE COURSES, PAVEMENT MARKINGS, LANDSCAPING & OTHER MISCELLANEOUS TASKS.

DESCRIPTION OF INTENDED SEQUENCE OF ACTIVITIES:

THE SEQUENCE OF EVENTS ARE AS FOLLOW: CLEARING, EMBANKMENT, EXCAVATION, GRADING AND PAVING. THIS PROJECT WILL BE CONSTRUCTED IN SEGMENTS AS SHOWN IN THE "STAGING PLANS".

TOTAL CONSTRUCTION SITE (CONSTRUCTION LIMIT TO CONSTRUCTION LIMIT) 2.19 ACRES

PROPOSED R.O.W (TOTAL PARCEL AREA) 2.29 ACRES

DISTURBED BY EXCAVATION (E.O.P TO CONSTRUCTION LIMIT) 1.50 ACRES

SUPPORTING REPORTS AND PLANS

THE FOLLOWING ASSISTED IN DEVELOPING THE EROSION CONTROL PLAN AS REFERENCED DOCUMENTS:

SOIL PROFILE SHEETS, SOILS REPORTS, BORING LOGS
USGS DRAINAGE MAPS, PROJECT PLAN DOCUMENTS

DRAINAGE TRIBUTARIES RECEIVING WATER FROM CONSTRUCTION SITE

TWO UNNAMED DRAINAGE DITCHES UNDER FAS 1197 (MOLINE RD): 1. APPROX 3 MILES NE OF LYNDON, IL & 435 FT WEST OF MOLINE/YORKTOWN ROADS INTERSECTION. 2. APPROX 0.75

MILES SW OF I88/US 30 INTERCHANGE AND 600 FT SW OF MOLINE/MELLOTS ROADS INTESECTION.
EROSION CONTROLS AND SEDIMENT CONTROL PROCEDURES

STABILIZATION PRACTICES AT THE BEGINNING OF CONSTRUCTION:

PERIMETER EROSION CONTROL SHALL BE PLACED PRIOR TO BEGINNING EARTHWORK.

STABILIZATION PRACTICES DURING CONSTRUCTION:

AS EARTH EXCAVATION AND EMBANKMENT ARE BEING COMPLETED THE CONTRACTOR SHALL PLACE DITCH CHECKS, INLET AND PIPE PROTECTION, EROSION CONTROL BLANKET, AND SEEDING AS STAGES OF THE PROJECT ARE COMPLETED. PERIMETER EROSION BARRIER WILL BE INSTALLED AT ADDITIONAL LOCATIONS AS THE PROJECT PROGRESSES. SEEDING SHALL BE COMPLETED AS SPECIFIED IN THE EROSION CONTROL/ SEEDING MOBILIZATION AND TEMPORARY SEEDING SPECIAL PROVISION.

MAINTENANCE AFTER FINAL GRADING

TEMPORARY EROSION CONTROL SYSTEMS SHALL BE LEFT IN PLACE WITH PROPER MAINTENANCE UNTIL PERMANENT EROSION CONTROL IS IN PLACE AND WORKING PROPERLY AND ALL PROPOSED TURF AREAS SEEDED AND ESTABLISHED WITH THE PROPER STAND. ONCE PERMANENT EROSION CONTROL SYSTEMS AS PROPOSED IN THE PLANS ARE FUNCTIONAL AND ESTABLISHED, TEMPORARY ITEMS SHALL BE REMOVED, CLEANED UP AND DISTURBED TURF RESEEDED.

REVISED 5-12-04 2.1

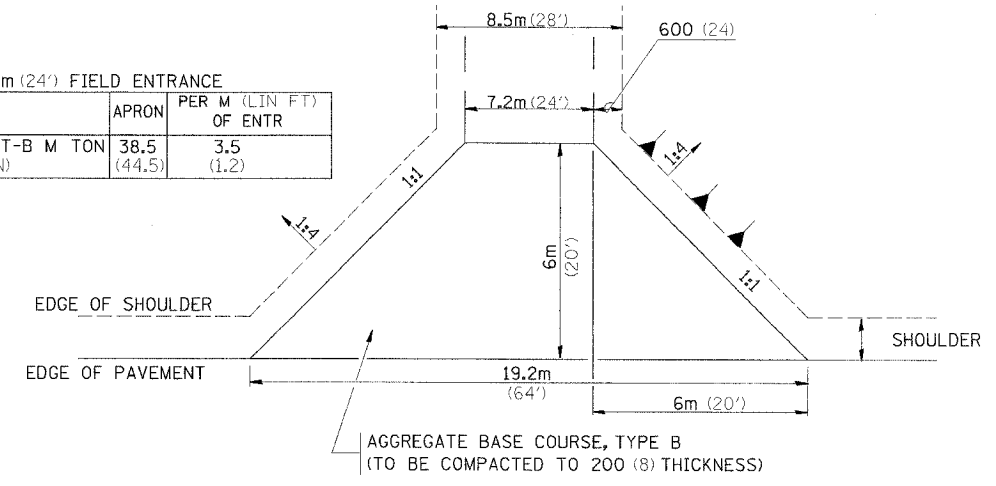
DISTRICT STANDARDS

F.A.R. NO.	SECTION	COUNTY	TOTAL SHEETS	SHEET NO.
1197	105 BR-2 & 105-T	WHITESIDE	58	37
STA. 224+00 & 429+00		TO STA. 232+00 & 425+38		
FED. ROAD DIST. NO. 7		ILLINOIS		
		FED. AID PROJECT		

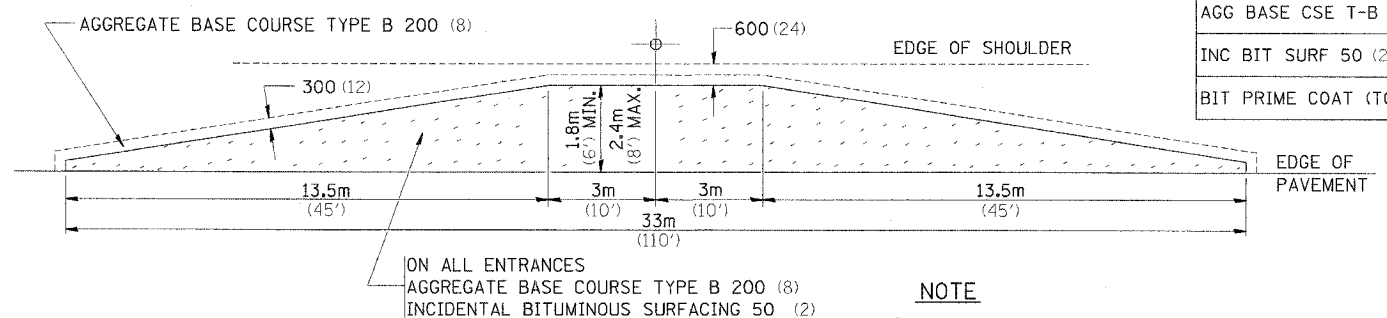
BITUMINOUS APPROACHES & MAILBOX RETURNS

7.2m (24') FIELD ENTRANCE

	APRON	PER M (LIN. FT) OF ENTR
AGG BASE CSE T-B M (TON)	38.5 (44.5)	3.5 (1.2)



FIELD ENTRANCE



MAILBOX TURNOUT

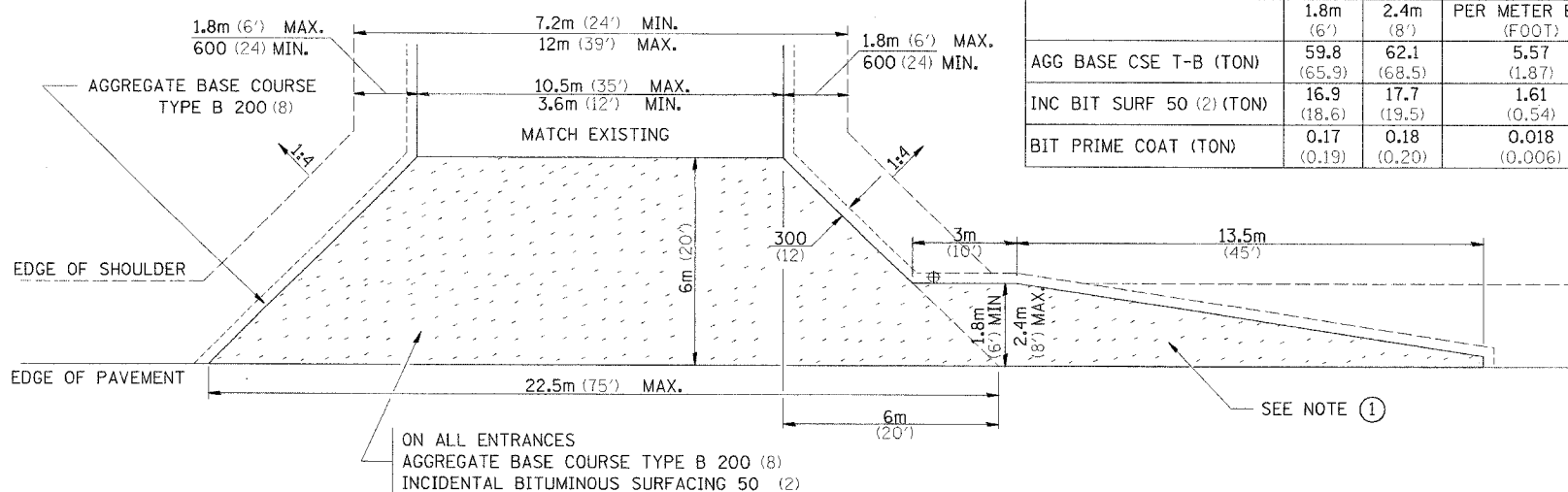
	1.8m (6')	2.4m (8')
AGG BASE CSE T-B (TON)	22.2 (24.5)	28.2 (31.1)
INC BIT SURF 50 (2) (TON)	5.3 (5.8)	7.1 (7.8)
BIT PRIME COAT (TON)	0.05 (0.06)	0.07 (0.08)

NOTE

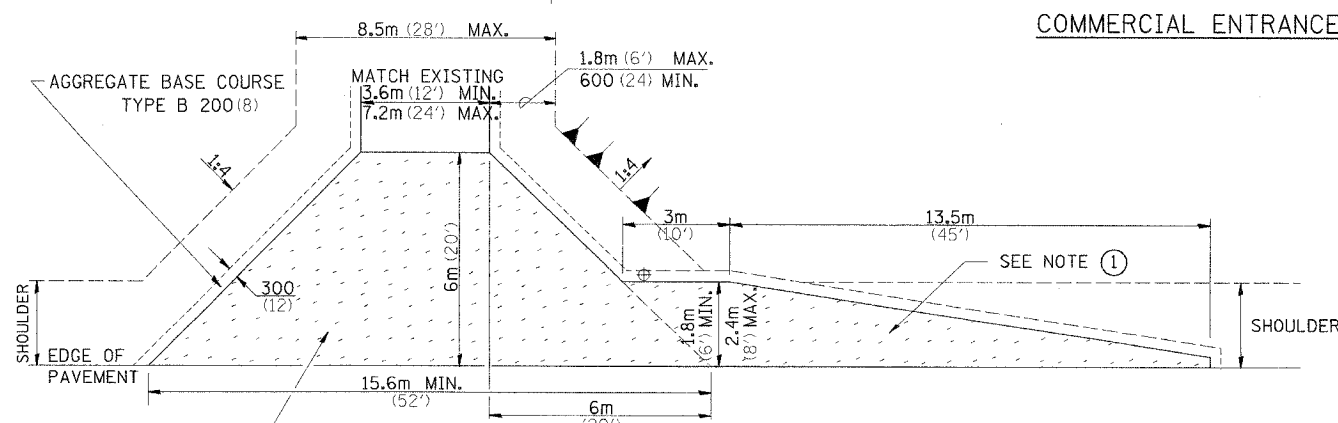
- ① TURNOUTS ARE TO BE CONSTRUCTED ON THE APPROACH SIDE OF ALL PE & CE REGARDLESS IF A MAILBOX IS PRESENT.
- ② ALL PE & CE ARE TO BE SURFACED TO RIGHT OF WAY LINE. AREA BEHIND RIGHT OF WAY SHALL MATCH EXISTING SURFACE.
- ③ PE ARE TO BE AGGREGATE TO RIGHT OF WAY OR TOUCH DOWN, WHICH EVER IS GREATEST.
- ④ QUANTITIES ARE CALCULATED WITH 1' BITUMINOUS SHOULDER IN PLACE. AGGREGATE QUANTITIES SHOWN ARE FOR NEW CONSTRUCTION.
- ⑤ EXCAVATION REQUIRED FOR PLACEMENT OF AGGREGATE BASE COURSE SHALL BE CONSIDERED INCIDENTAL TO THE AGGREGATE BASE COURSE.
- ⑥ ALL DIMENSIONS ARE IN MILLIMETERS (INCHES) UNLESS OTHERWISE NOTED.

10.5m (35') COMMERCIAL ENTRANCE

	1.8m (6')	2.4m (8')	PER METER ENTR (FOOT)
AGG BASE CSE T-B (TON)	59.8 (65.9)	62.1 (68.5)	5.57 (1.87)
INC BIT SURF 50 (2) (TON)	16.9 (18.6)	17.7 (19.5)	1.61 (0.54)
BIT PRIME COAT (TON)	0.17 (0.19)	0.18 (0.20)	0.018 (0.006)



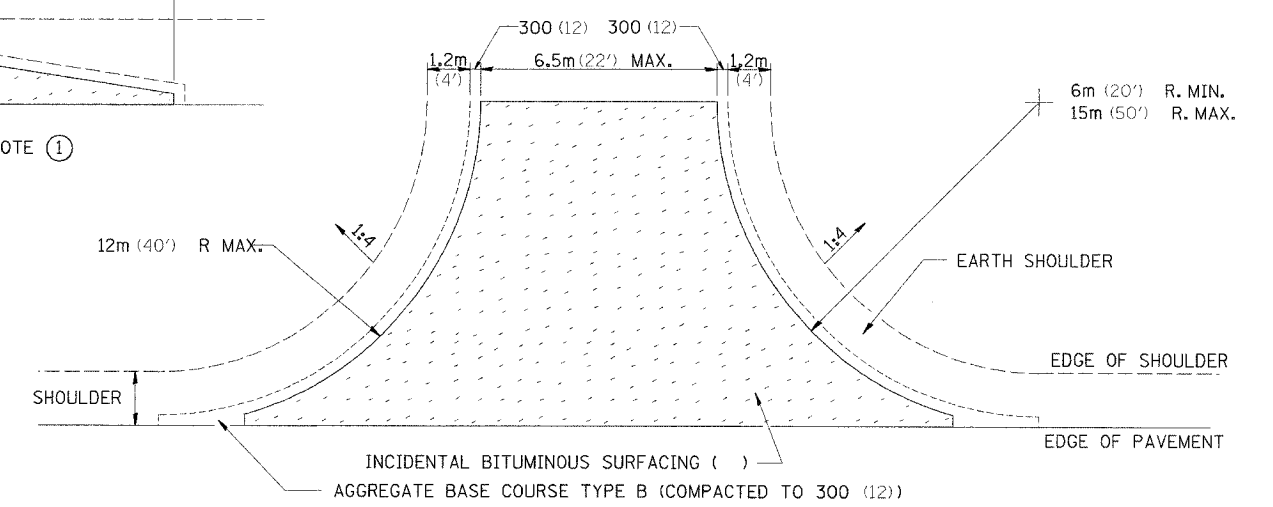
COMMERCIAL ENTRANCE



PRIVATE ENTRANCE

3.6m (12') PRIVATE ENTRANCE

	1.8m (6')	2.4m (8')	PER METER ENTR (FOOT)
AGG BASE CSE T-B (TON)	39.7 (43.8)	42.0 (46.3)	2.11 (0.71)
INC BIT SURF 50 (2) (TON)	10.7 (11.8)	11.5 (12.7)	0.57 (0.19)
BIT PRIME COAT (TON)	0.11 (0.12)	0.18 (0.13)	0.006 (0.002)



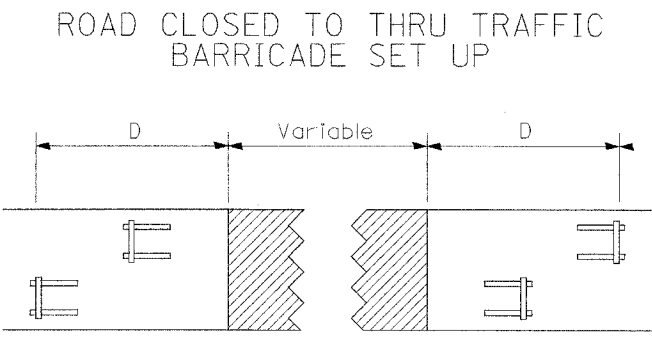
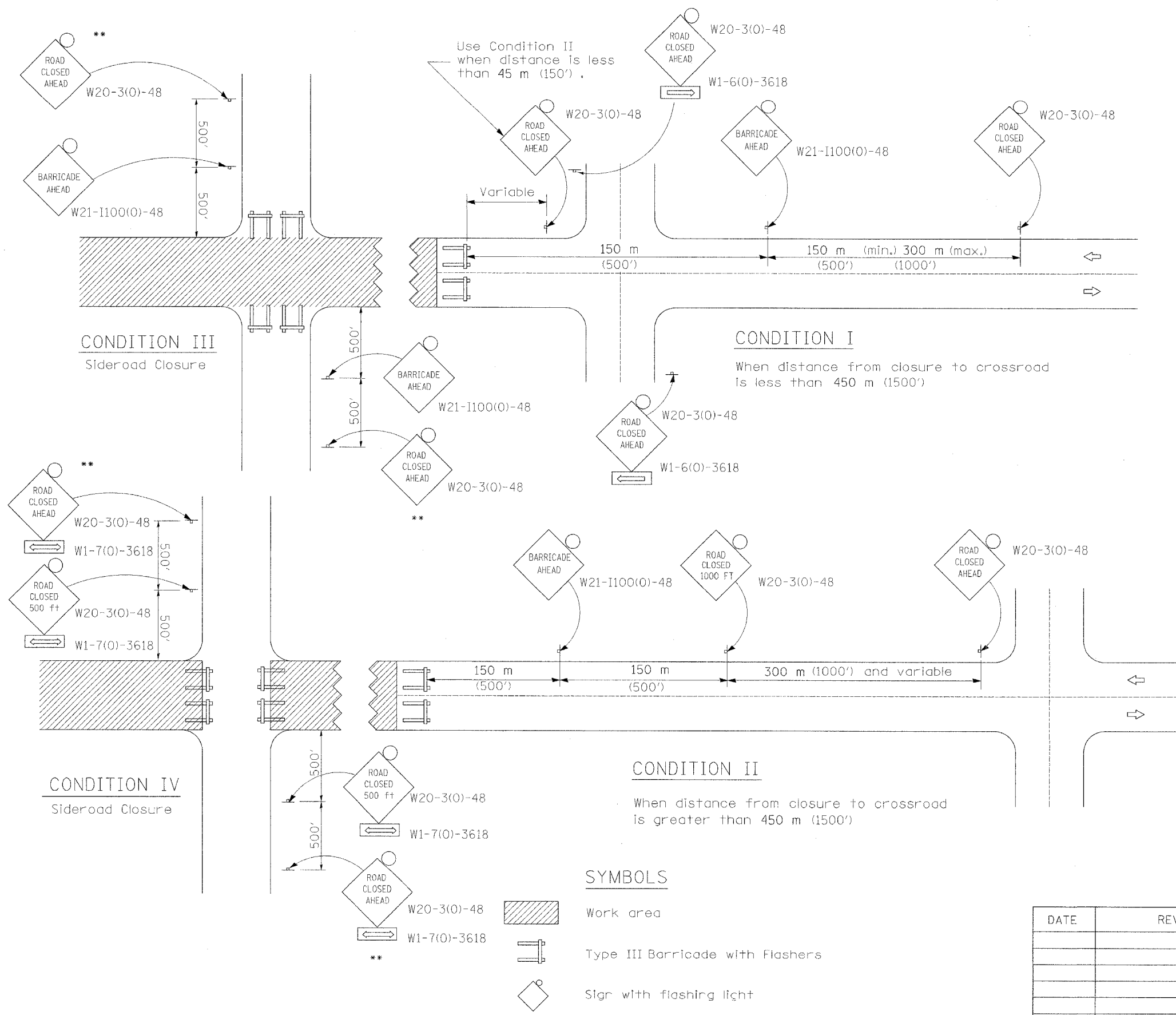
SIDE ROAD RETURN

	6m RADIUS (20')		9m RADIUS (30')		12m RADIUS (40')				
	5.5m (18')	6m (20')	5.5m (18')	6m (20')	5.5m (18')	6m (20')			
AGG BASE CSE T-B (TON)	40.9 (45.1)	43.7 (48.2)	46.4 (51.2)	70.3 (77.5)	74.4 (82.0)	78.6 (86.6)	105.5 (116.3)	111.0 (122.4)	116.6 (128.5)
INC BIT SURF AT 25 (1) (TON)	3 (3.3)	3.3 (3.6)	3.4 (3.8)	5.3 (5.8)	5.5 (6.1)	5.9 (6.5)	8.0 (8.8)	8.4 (9.3)	9.0 (9.9)
BIT PRIME COAT (TON)	0.07 (0.08)	0.08 (0.09)	0.10 (0.10)	0.14 (0.15)	0.15 (0.16)	0.15 (0.17)	0.20 (0.22)	0.22 (0.24)	0.23 (0.25)

NOTE: USE 50 (2) INC. BIT. SURF. ON EXISTING RETURNS

FIG. NO.	SECTION	COUNTY	TOTAL SHEETS	SHEET NO.
1197	105 BR-2 & 105-T	WHITESIDE	59	38
STA.		TO STA.		
EXISTING CONDITIONS:				

64421



Type III Barricades and R11-4-4830 signs shall be as shown in "Road Closed To All Thru Traffic" detail on Highway Standard 702001. If the distance "D" exceeds 600 m (2000') an additional set of barricades and R11-4-4830 shall be placed at each end of the work area.

GENERAL NOTES

- ** Where local access is to be maintained, barricades are to be set up as shown above in Road Closed to thru traffic.
- Type III Barricades and R11-2-4830 signs shall be as shown in "Road Closed To All Traffic" detail on Highway Standard 702001.
- Longitudinal dimensions may be adjusted to fit field conditions.
- When the distance between the barricade and the intersection is between 450 m (1500') and 600 m (2000'), the advance sign shall be placed at the intersection. When the distance between the barricade and the intersection is over 600 m (2000'), an additional sign shall be placed at the intersection. The additional sign shall give the distance to the barricade in miles or fractions of a mile.
- All dimensions are in millimeters (inches) unless otherwise shown.

SYMBOLS

- Work area
- Type III Barricade with Flashers
- Sign with flashing light

DATE	REVISIONS

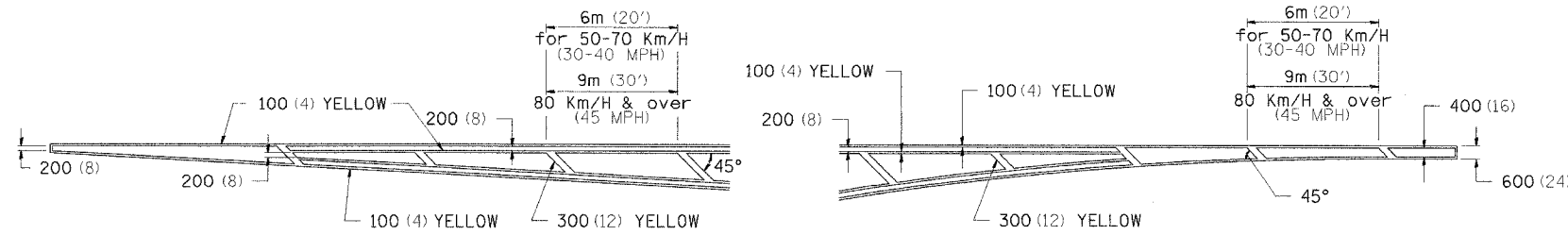
TYPICAL APPLICATION OF TRAFFIC CONTROL DEVICES FOR ROAD CLOSURE

TRAFFIC CONTROL FOR ROAD CLOSURE

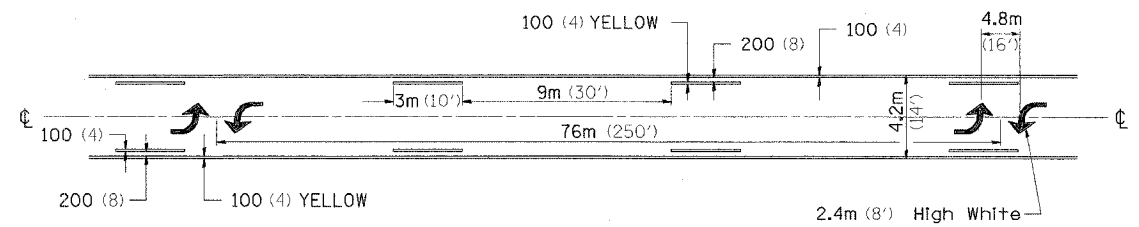
F.A.S. FILE NO.	SECTION	COUNTY	TOTAL SHEETS	SHEET NO.
1197	106 BR-2 & 105-T	WHITESIDE	59	39
STA. 224+00 & 428+00		TO STA. 232+00 & 425+38		
FED. ROAD DIST. NO.	ILLINOIS	FED. AID PROJECT		

TYPICAL PAVEMENT MARKINGS

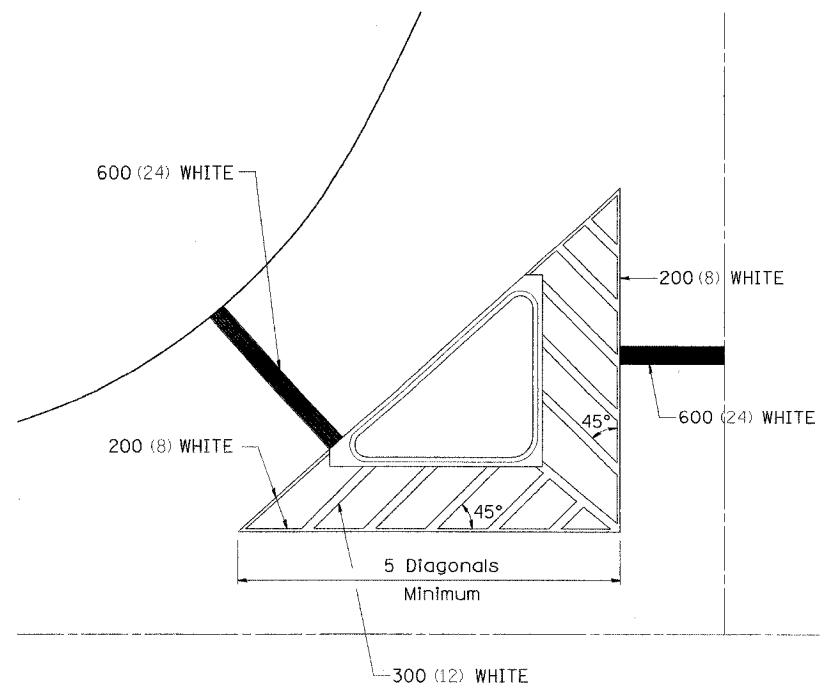
TYPICAL PAVEMENT MARKING FOR FLUSH MEDIAN



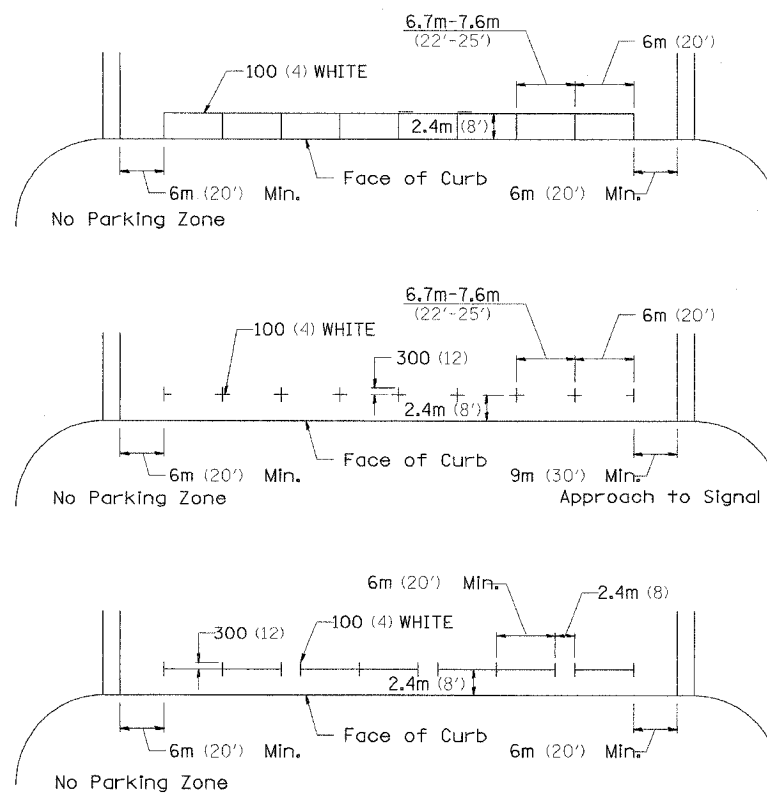
MEDIAN PAVEMENT MARKING



TYPICAL ISLAND OFFSET SHOULDER WIDTH



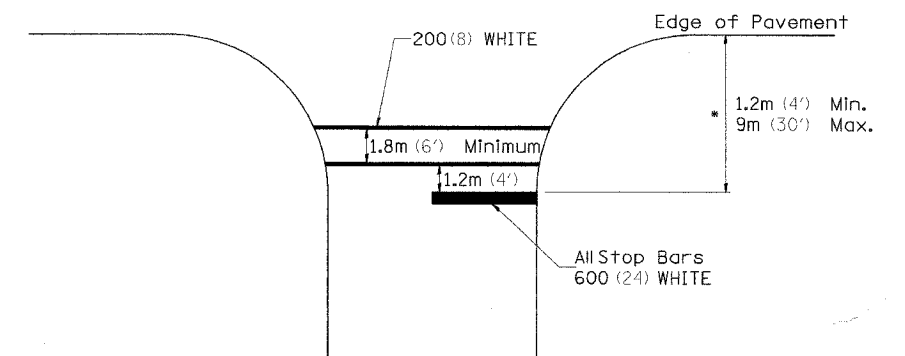
TYPICAL PARKING SPACING



** ALL DIMENSIONS ARE IN MILLIMETERS (INCHES) UNLESS OTHERWISE NOTED.

STANDARD CROSSWALK MARKING

See Schedules for Locations



* Distance to the nearest edge of the intersecting roadway in the absence of a marked crosswalk.

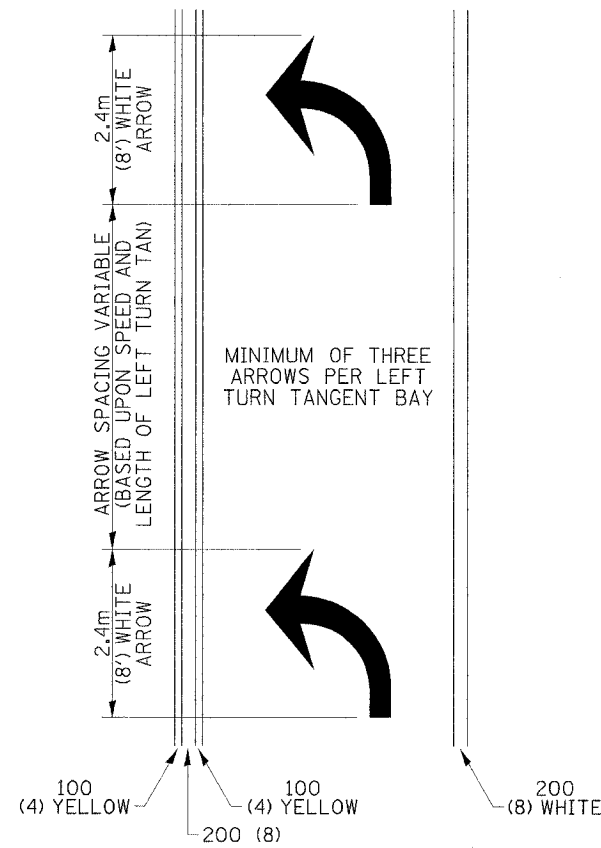
CHECKED BY:

DRAWN BY:

DESIGNED BY:

TYPICAL PAVEMENT MARKINGS

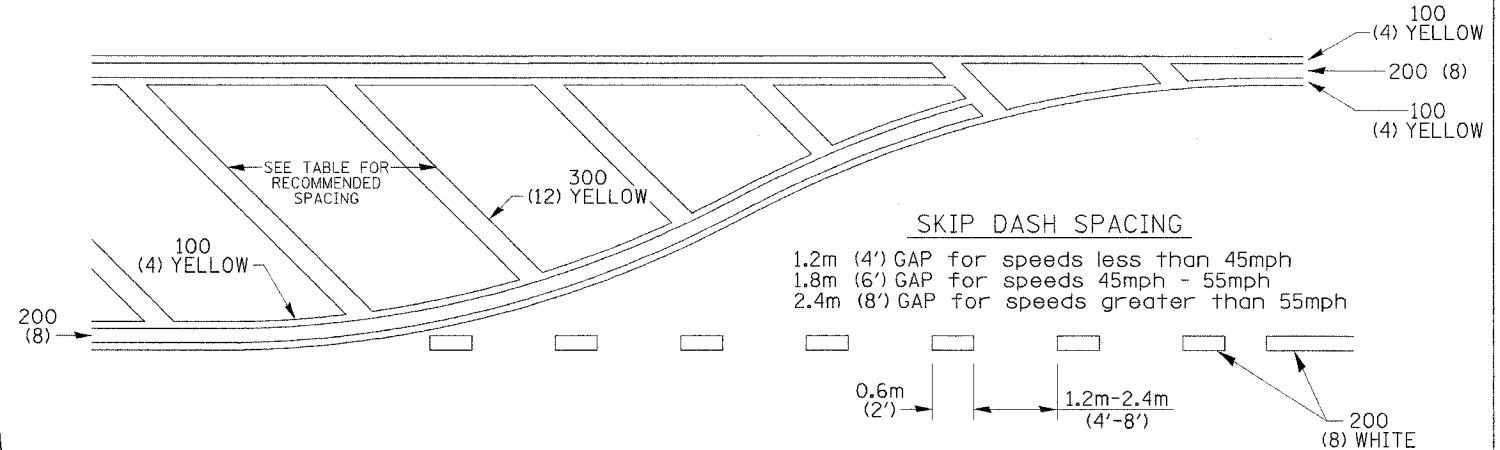
ARROW LAYOUT



- ▲ ONE-WAY AMBER MARKER
- ◁ ONE-WAY CRYSTAL MARKER
- ◆ TWO-WAY AMBER MARKER

ALL DIMENSIONS ARE IN MILLIMETER (INCHES) UNLESS OTHERWISE SHOWN.

TYPICAL PAVEMENT MARKING FOR FLUSH MEDIAN



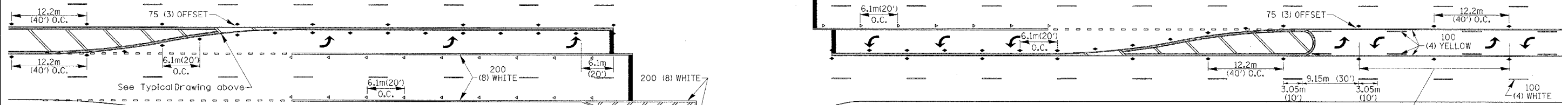
RECOMMENDED SPACING BETWEEN DIAGONALS (IN FEET)

Speed Limit Range	Continuous Median Area	Intersection Channelization	Objects (Islands)
less than 50Km/H(30MPH)	15.3m (50')	4.53m (15')	3.05m (10')
50-60Km/H(30-40MPH)	22.9m (75')	6.1m (20')	4.53m (15')
70Km/H(45MPH) & over	22.9m (75')	9.05m (30')	6.1m (20')

NOTE: if the spacing recommended in the Table does not permit at least five diagonal lines in the area being marked, the spacing from the next lowest speed range should be used. The recommended spacing is measured parallel to the pavement center line.

DRAWN BY:

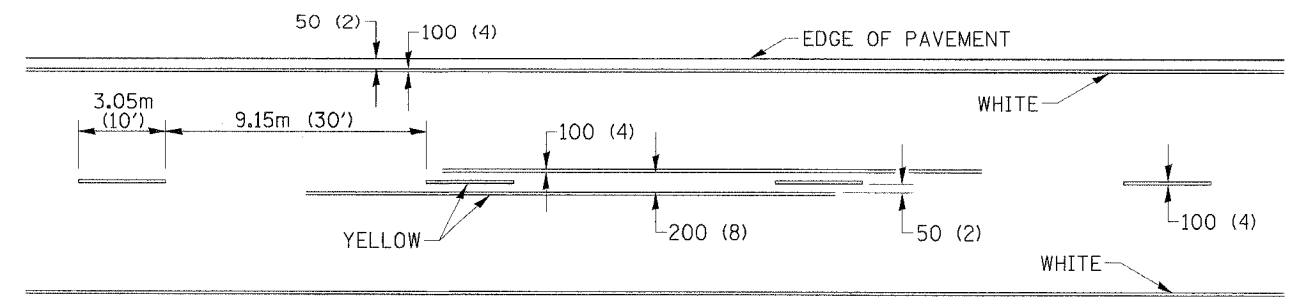
DESIGNED BY:



SYMBOLS

See Typical Drawing above
12.2m
6 at (40') O.C.
APPROACH SIDE ONLY

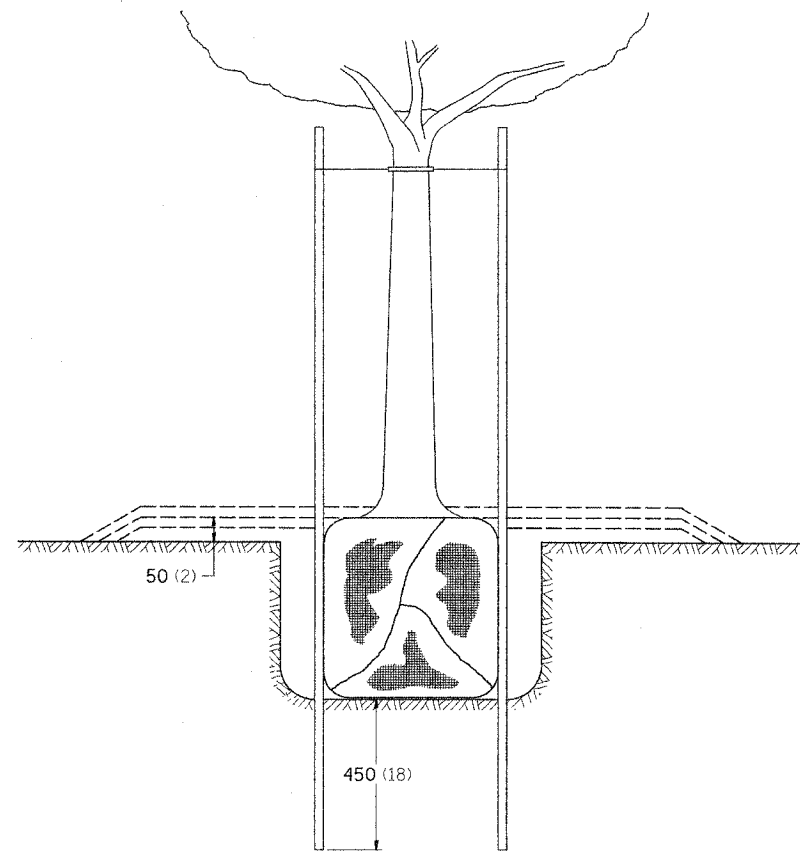
TYPICAL PAVEMENT MARKING FOR TWO LANE SECTION - NO PASSING ZONES



- * REDUCE TO 12.2m (40') O.C. ON CURVES WHERE ADVISORY SPEEDS ARE 15Km/H (10MPH) LOWER THAN POSTED SPEEDS.
- ** USE DOUBLE MARKERS WHEN ADT ≥ 25,000

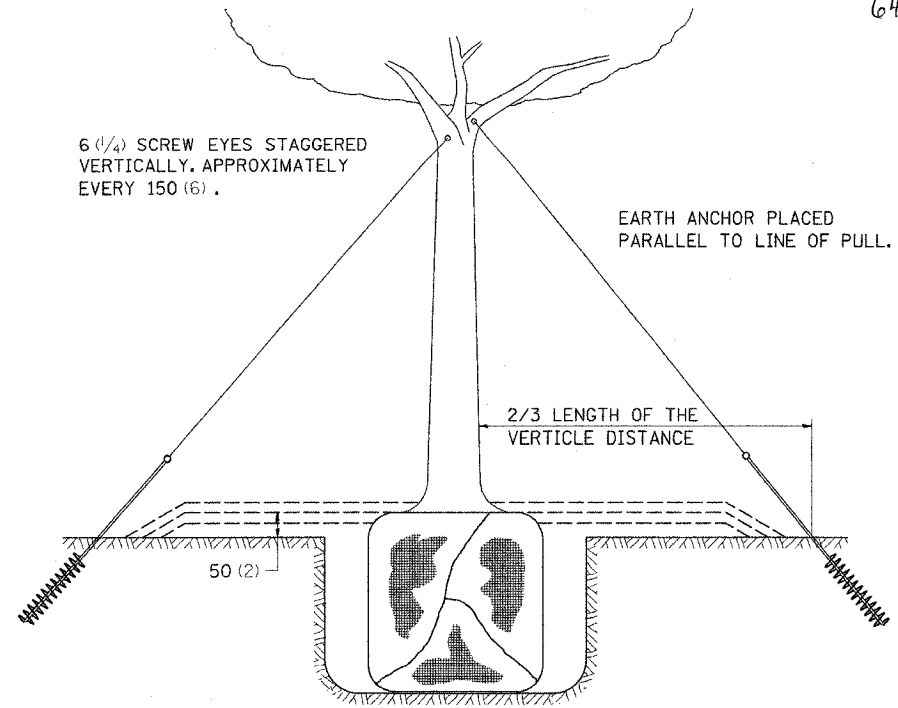
MULTI-LANE / UNDIVIDED

DETAILS OF PLANTING AND BRACING TREES

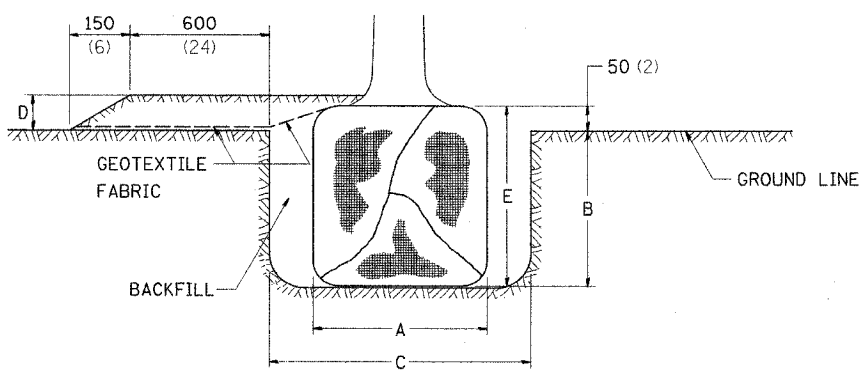
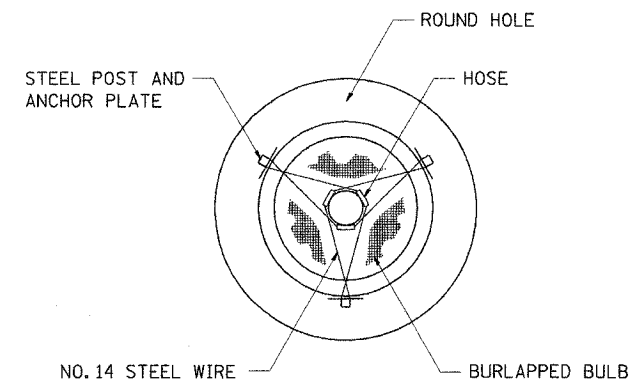


SMALL TREE SIZE	A	B	C	D	E	F
DIAMETER OF BALL OR ROOT SYS.	DEPTH OF HOLE EXCAVATION	WIDTH OF HOLE EXCAVATION	THICKNESS OF MULCH COVER	DEPTH OF BALL OR ROOT SYS.	VOLUME OF MULCH COVER m ³ (CU. YDS.)	
1.5-1.8m (5'-6")	400 (16)	250 (10)	750 (30)	100 (4)	300 (12)	0.41 (0.54)
1.5-1.8m (5'-6") BB	400 (16)	250 (10)	750 (30)	100 (4)	300 (12)	0.41 (0.54)
1.8-2.0m (6'-7")	450 (18)	300 (12)	750 (30)	100 (4)	350 (14)	0.41 (0.54)
1.8-2.0m (6'-7") BB	450 (18)	300 (12)	750 (30)	100 (4)	350 (14)	0.41 (0.54)
2.0-2.4m (7'-8")	500 (20)	275 (11)	900 (36)	100 (4)	325 (13)	0.41 (0.54)
2.4-3.0m (8'-10")	600 (24)	350 (14)	900 (36)	100 (4)	400 (16)	0.47 (0.61)
2.4-3.0m (8'-10") BB	600 (24)	350 (14)	900 (36)	100 (4)	400 (16)	0.47 (0.61)
3.0-3.6m (10'-12")	650 (26)	375 (15)	900 (36)	100 (4)	425 (17)	0.47 (0.61)
3.0-3.6m (10'-12") BB	650 (26)	375 (15)	900 (36)	100 (4)	425 (17)	0.47 (0.61)

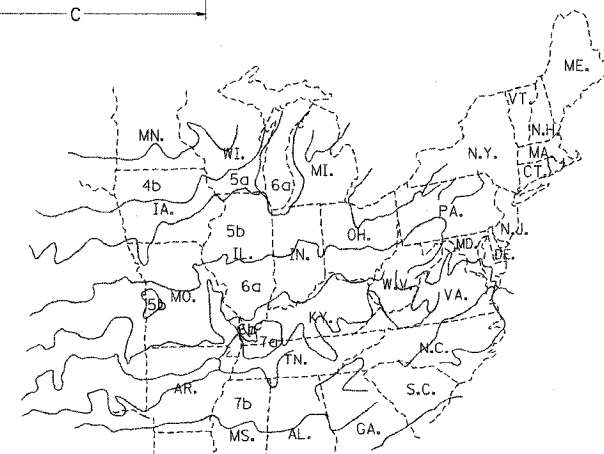
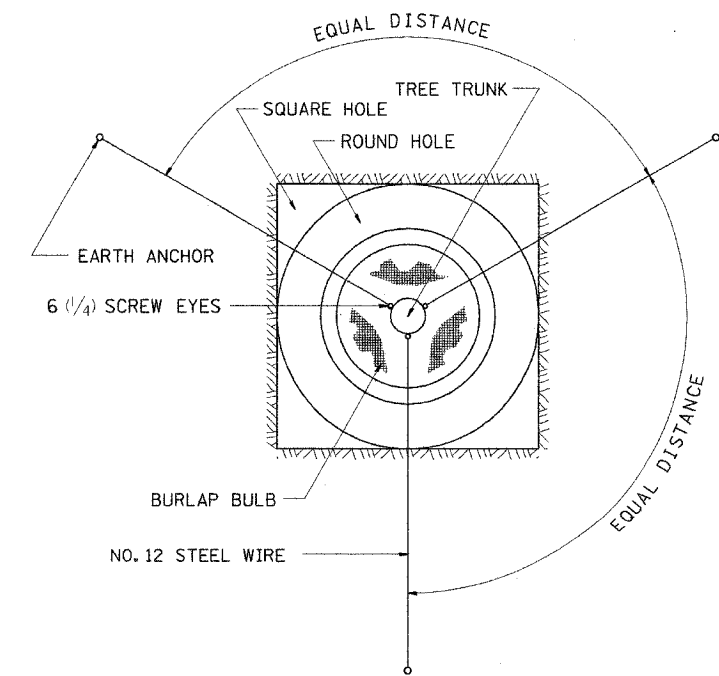
LARGE TREE SIZE	A	B	C	D	E	F
DIAMETER OF BALL OR ROOT SYS.	DEPTH OF HOLE EXCAVATION	WIDTH OF HOLE EXCAVATION	THICKNESS OF MULCH COVER	DEPTH OF BALL OR ROOT SYS.	VOLUME OF MULCH COVER m ³ (CU. YDS.)	
0-50 (0-2)	500 (20)	275 (11)	900 (36)	100 (4)	325 (13)	0.47 (0.61)
50-65 (2-2 1/2) BB	600 (24)	350 (14)	1200 (48)	100 (4)	400 (16)	0.60 (0.78)
65-75 (2 1/2-3) BB	700 (28)	425 (17)	1200 (48)	100 (4)	475 (19)	0.60 (0.78)
75-90 (3-3 1/2) BB	800 (32)	425 (17)	1500 (60)	100 (4)	475 (19)	0.73 (0.96)
90-100 (3 1/2-4) BB	900 (36)	500 (20)	1500 (60)	100 (4)	550 (22)	0.73 (0.96)
100-115 (4-4 1/2) BB	1000 (40)	550 (22)	1800 (72)	100 (4)	600 (24)	0.89 (1.16)
115-125 (4 1/2-5) BB	1100 (44)	600 (24)	1800 (72)	100 (4)	650 (26)	0.89 (1.16)
125-140 (5-5 1/2) BB	1200 (48)	675 (27)	2100 (84)	100 (4)	725 (29)	1.06 (1.38)



TREES SMALLER THAN 115 (4 1/2) IN DIAMETER



TREES OVER 115 (4 1/2) IN DIAMETER



PLANT HARDINESS ZONE MAP
U.S. DEPARTMENT OF AGRICULTURE
AGRICULTURAL RESEARCH SERVICE
PUBLICATION NO. 814

ALL DIMENSIONS ARE IN MILLIMETERS (INCHES) UNLESS OTHERWISE NOTED.

True Nov. 04 13:09:50 2003
c:\p\o\lect\ab\2a\mcd8232p11.com

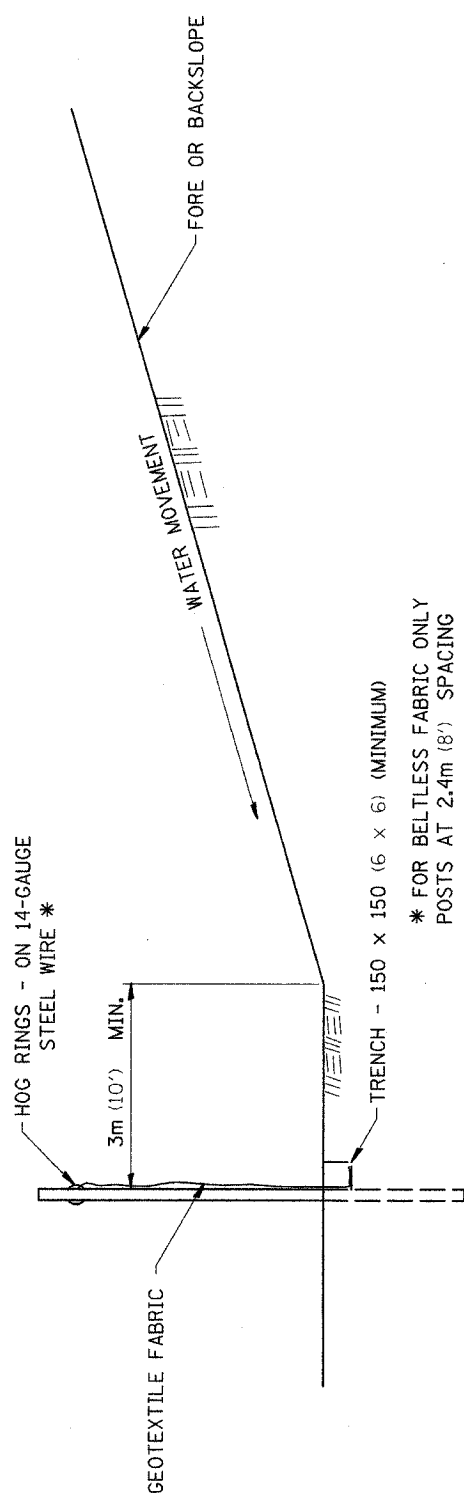
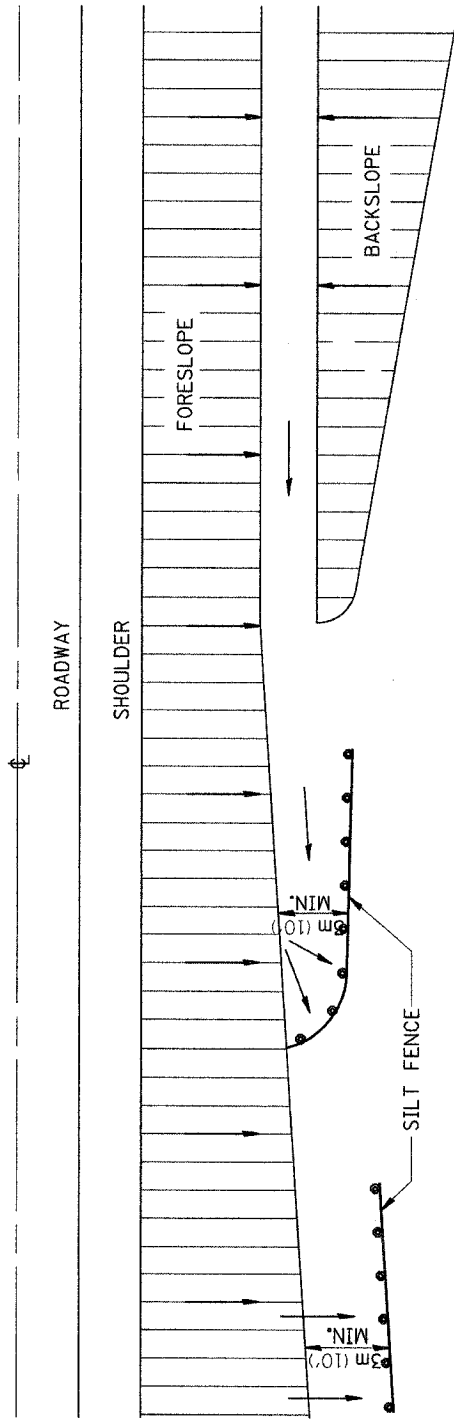
CHECKED BY:

DRAWN BY:

DESIGNED BY:

EROSION CONTROL DETAILS FOR SILT FENCE

F.A. RITE.	SECTION	COUNTY	TOTAL SHEETS	SHEET NO
1197	105 BR-2 & 105-T	WHITESIDE	59	42
STA. 224+00 & 429+00 TO STA. 232+00 & 425+38		FED. AID PROJECT		
FED. ROAD DIST. NO. 7		ILLINOIS		

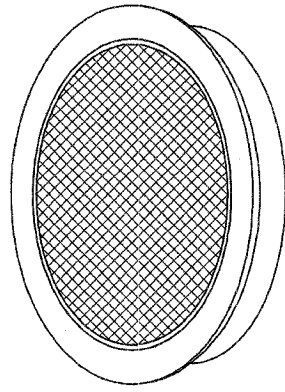


* FOR BELTLESS FABRIC ONLY
POSTS AT 2.4m (8') SPACING

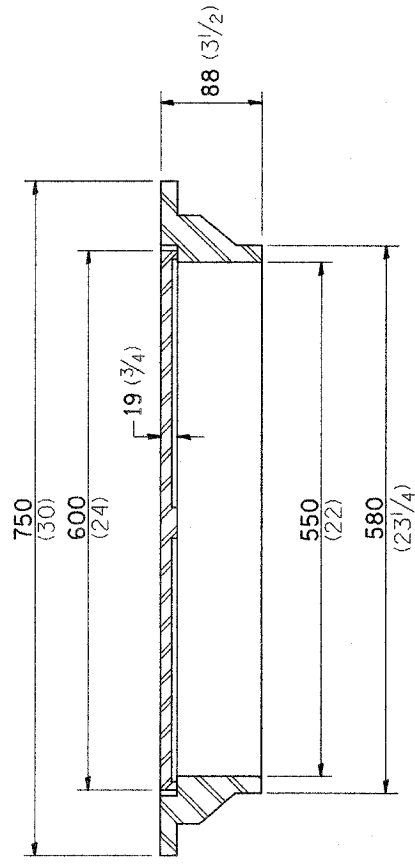
DETAILS OF SILT FENCE

FIELD TILE JUNCTION VAULTS 600 (24) AND 900 (36) DIA.

F.A. RITE	SECTION	COUNTY	TOTAL SHEETS	SHEET NO
1197	105 BR-2 & 10	WHITESIDE	59	42A
STA. 224+00 & 429+00 TO STA. 232+00 & 425+3				
FED. ROAD DIST. NO. 7 ILLINOIS FED. AID PROJECT				

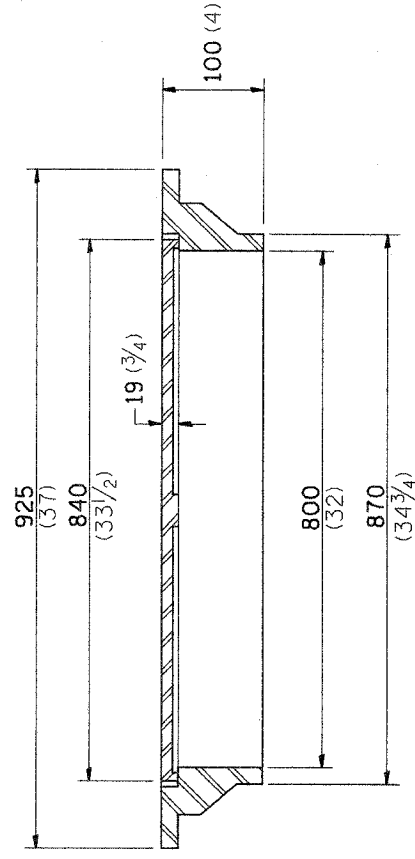


FRAME & LID FOR
600 (24) VAULT

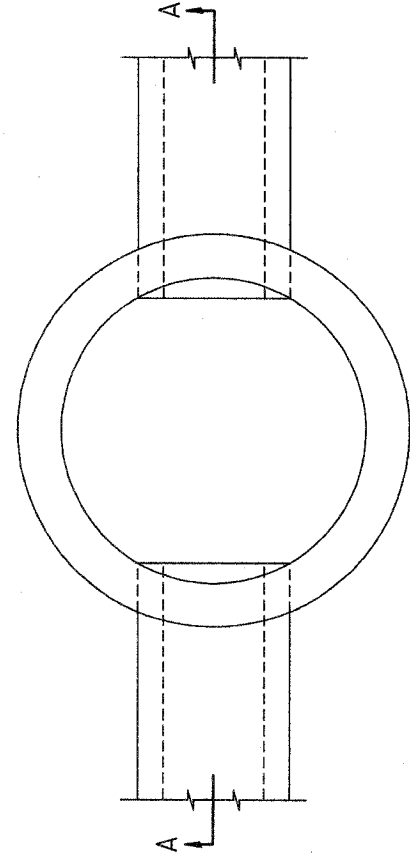


TOTAL WEIGHT: 66 Kg (146 lbs)

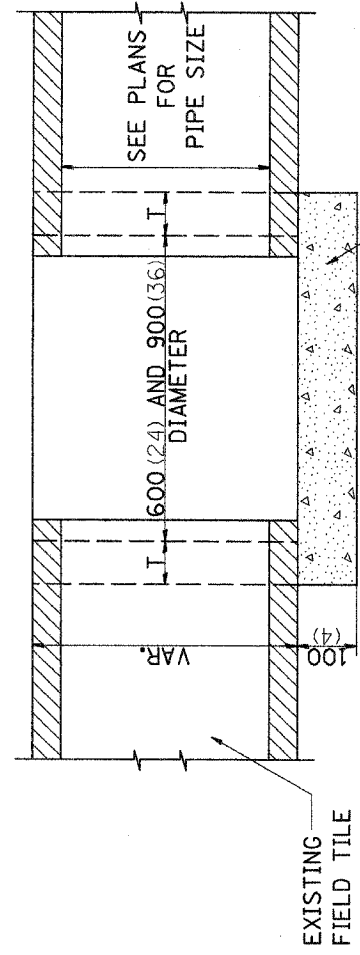
FRAME & LID FOR
900 (36) VAULT



TOTAL WEIGHT: 127 Kg (280 lbs)



PLAN

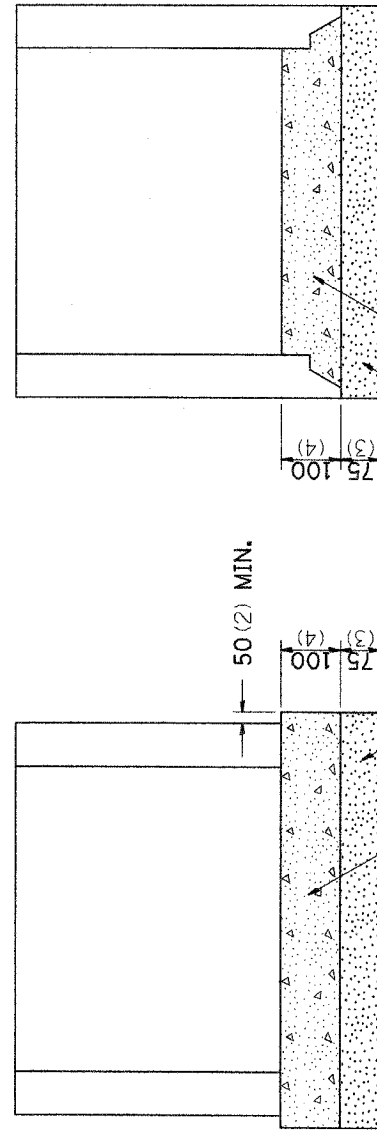


CAST-IN-PLACE CONCRETE
SECTION A-A

ALTERNATE MATERIALS FOR WALLS	T
BRICK MASONRY	200 (8)
CAST-IN-PLACE CONCRETE	150 (6)
CONCRETE MASONRY UNIT	125 (5)
PRECAST REINFORCED CONCRETE SECTION	75 (3)

NOTE: THE FRAME AND LID IS REQUIRED ON ALL JUNCTION VAULTS.

ALL DIMENSIONS ARE IN MILLIMETERS (INCHES) UNLESS OTHERWISE SHOWN.



PRECAST REINFORCED
CONCRETE SLAB

SAND CUSHION

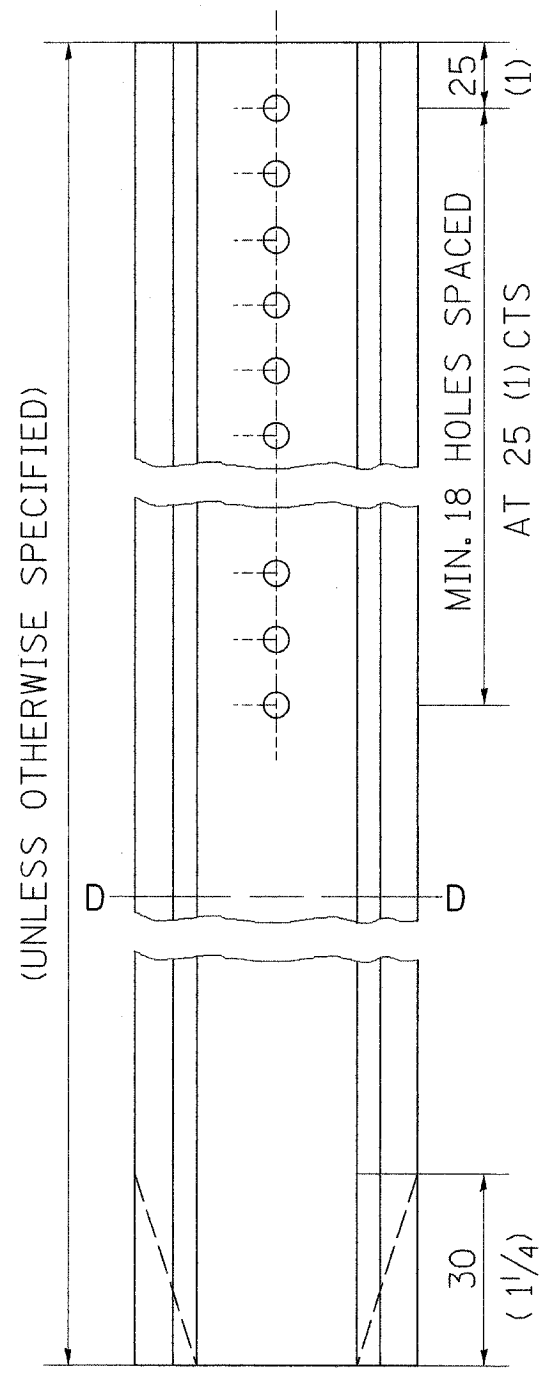
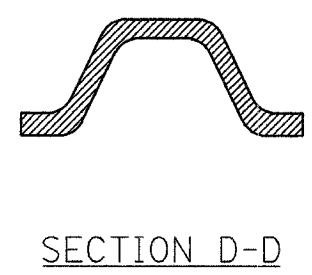
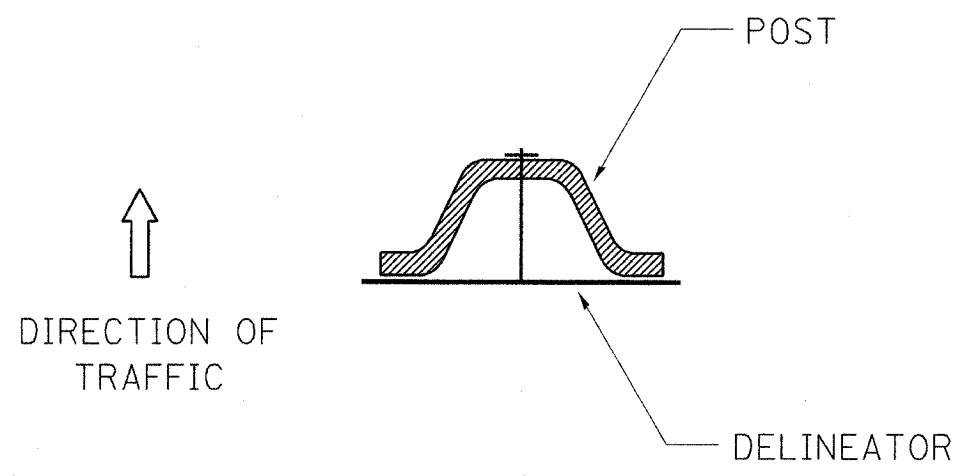
PREFABRICATED CONCRETE SLAB,
WHEN THE PRECAST REINFORCED
CONCRETE SECTION ALTERNATE
IS USED.

ALTERNATE METHODS

64421

DELINEATOR AND POST ORIENTATION

F. A. S. RTE.	SECTION	COUNTY	TOTAL SHEETS	SHEET NO
1197	105 BR-2 & 105-T	WHITESIDE	59	43
STA. 224+00 & 429+00		TO STA. 232+00 & 425+38		
FED. ROAD DIST. NO.	ILLINOIS	FED. AID PROJECT		



DELINEATORS SHALL BE INSTALLED ACCORDING TO STANDARD 635001 EXCEPT THAT THE POST SHALL BE ROTATED 180°. THE POST WILL HAVE THE WIDE SIDE FACING TRAFFIC AND THE DELINEATOR ATTACHECD AS SHOWN ABOVE.

CHECKED BY:

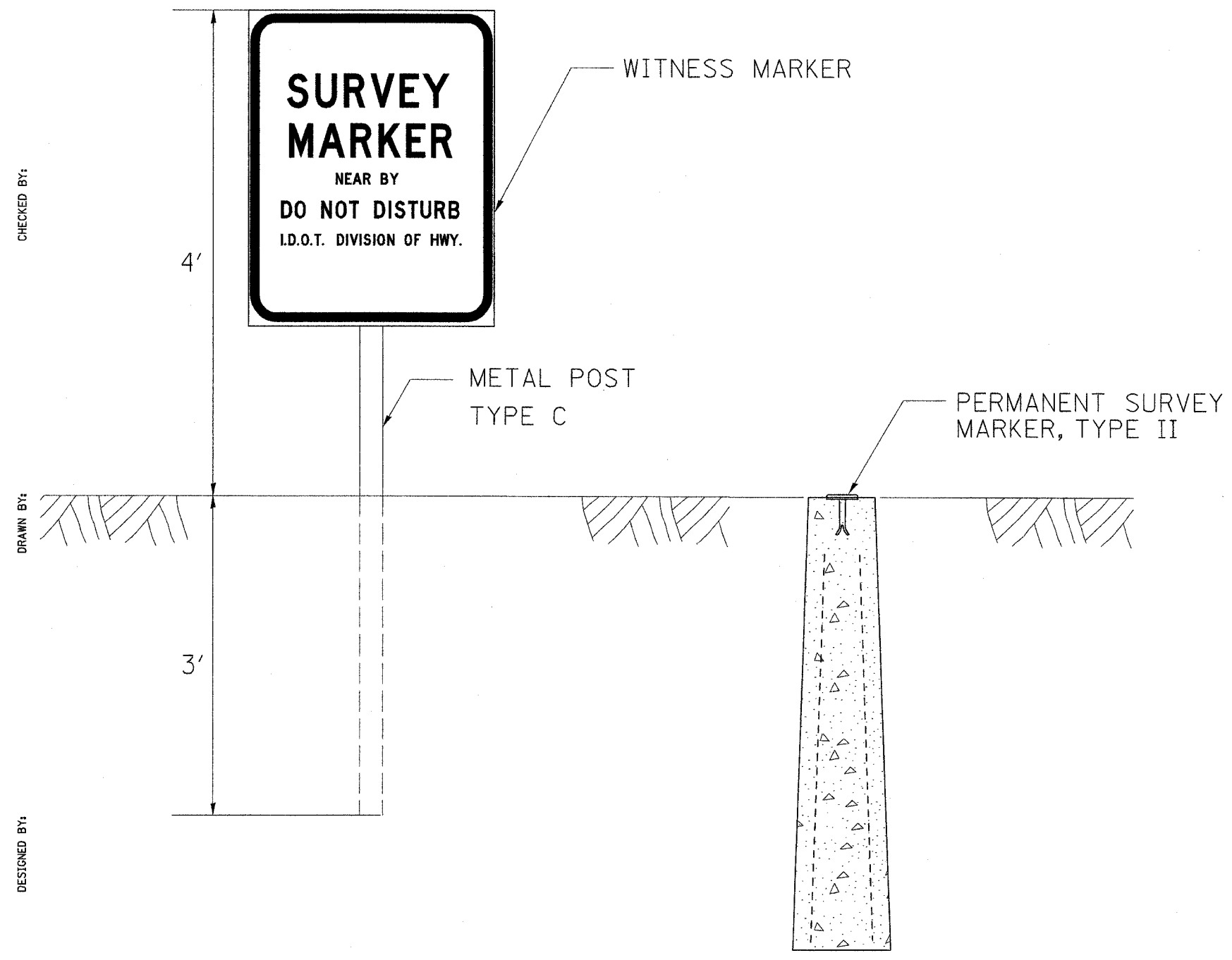
DRAWN BY:

DESIGNED BY:

Tue Nov 04 09:55:17 2003
c:\projects\d2stnds\z37pt4.dgn

F. A. S. RTE.	SECTION	COUNTY	TOTAL SHEETS	SHEET NO
1197	105 BR-2 & 105-T	WHITESIDE	59	44
STA. 224+00 & 429+00		TO STA. 232+00 & 425+38		
FED. ROAD DIST. NO. 7		ILLINOIS	FED. AID PROJECT	

WITNESS MARKER FOR PERMANENT SURVEY MARKERS TYPE II



GENERAL NOTES

A WITNESS MARKER ON A POST SHALL BE INSTALLED WITHIN 1' OF ALL PERMANENT SURVEY MARKERS TYPE II. THE WITNESS MARKERS CAN BE PICKED UP AT THE DISTRICT OFFICE IN DIXON. THE POST SHALL BE TYPE C AS SHOWN ON HIGHWAY STANDARD 720011. THIS WORK WILL BE INCLUDED TO THE CONTRACT UNIT PRICE PER EACH FOR PERMANENT SURVEY MARKERS, TYPE II.

Tue Nov 04 09:55:17 2003
 ca\projects\d2stnds\z38p14.dgn

LETTERING FOR NAME PLATE

(6442)

F. A. S. RTE.	SECTION	COUNTY	TOTAL SHEETS	SHEET NO
1197	105 BR-2 & 105-T	WHITESIDE	59	45
STA. 224+00 & 429+00		TO STA. 232+00 & 425+38		
FED. ROAD DIST. NO. 7	ILLINOIS	FED. AID PROJECT		

STATION
BUILT 200 BY
STATE OF ILLINOIS
RTE. SEC.
FA PROJECT
LOADING HS 20
STR. NO.

SEE STD. 515001

DESIGNERS NOTE

WHEN USING A DOUBLE BOX CULVERT GET A STRUCTURE NUMBER AND SHOW IT ON THE GENERAL NOTES. IF THE DOUBLE BOX CULVERT IS EQUAL TO OR GREATER THAN **6.1m** (20 FT) WIDE INCLUDE A PAY ITEM FOR NAME PLATES AND INCLUDE THIS DETAIL IN THE PLANS.

ALL DIMENSIONS ARE IN MILLIMETERS (INCHES) UNLESS OTHERWISE NOTED.

6442

TREE REPLACEMENT SCHEDULE

F. A. S. RTE.	SECTION	COUNTY	TOTAL SHEETS	SHEET NO
1197	105 BR-2 & 105-T	WHITESIDE	59	46
STA. 224+00 & 429+00		TO STA. 232+00 & 425+38		
FED. ROAD DIST. NO.		ILLINOIS	FED. AID PROJECT	

GENERAL NOTES:

1. TREE LAYOUT SHALL BE PERFORMED BY THE DISTRICT LANDSCAPE ARCHITECT.
2. MULCH SHALL BE HARDWOOD WOOD CHIPS, 5 FOOT WIDTH, 4 INCHES THICK WITH WEED BARRIER FABRIC.
3. ALTERNATE SITE: TBD BY DISCTRICT 2.

SCIENTIFIC NAME	COMMON NAME	SIZE	UNIT	LOCATION	QUANTITY
TREE, QUERCUS BICOLOR	SWAMP WHITE OAK	1-3/4" CALIPER, BALLED & BURLAPPED	EACH	SEE ABOVE NOTE	12

ALL DIMENSIONS ARE IN MILLIMETERS (INCHES)
UNLESS OTHERWISE NOTED.

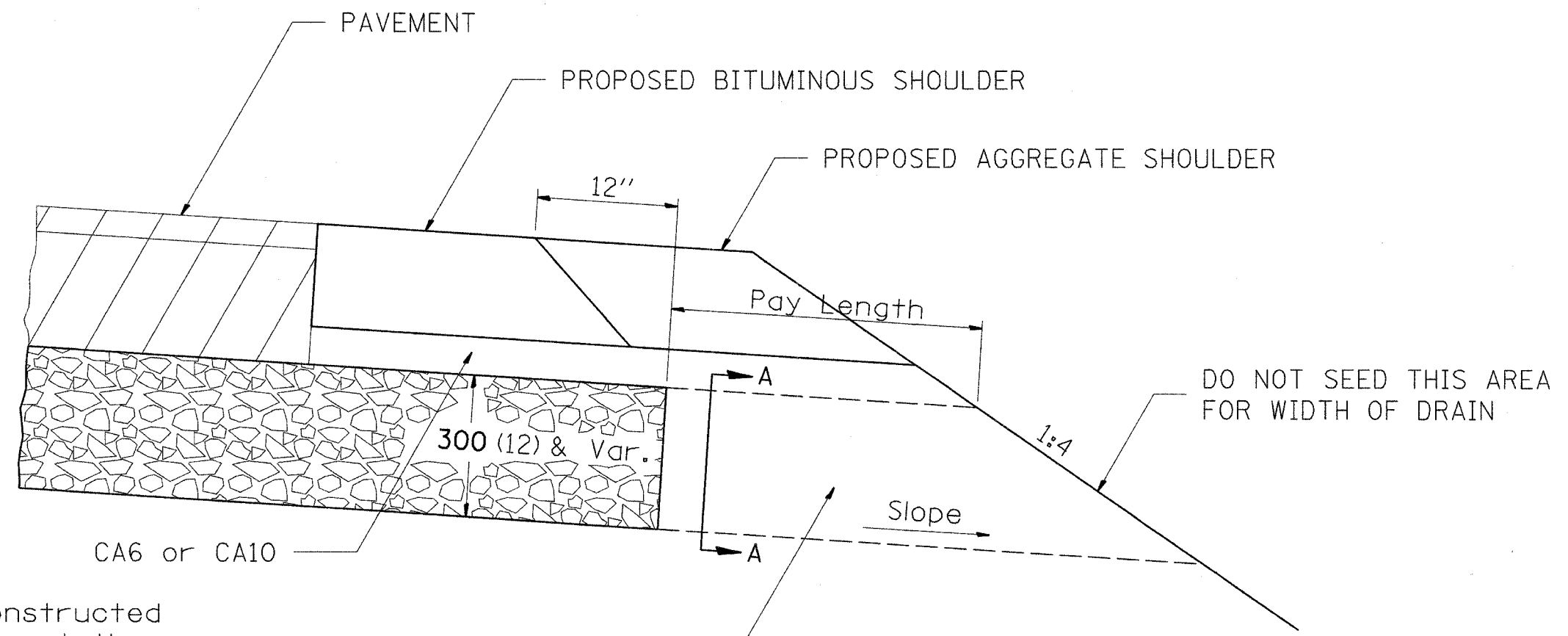
Tue Nov 04 09:55:26 2003
c:\projects\g2stnds\z90pt4.dgn

6442

F. A. S. RTE.	SECTION	COUNTY	TOTAL SHEETS	SHEET NO
1197	105 BR-2 & 105-T	WHITESIDE	59	47
STA. 224+00 & 429+00		TO STA. 232+00 & 425+38		
FED. ROAD DIST. NO.	ILLINOIS	FED. AID PROJECT		

DRAIN FOR AGGREGATE BASE COURSE

NOTE: ALL DIMENSIONS ARE IN MILLIMETERS (INCHES) UNLESS OTHERWISE NOTED.



NOTES:

The rock outlets shall be constructed using CA7 and will be paid for at the contract unit price per m^2 (SQ. YD.) for SUB-BASE GRANULAR MATERIAL, TYPE A of the thickness specified which includes the filter fabric. The Rock outlets will be measured in m^2 (SQ. YD.), the width being 900 (36) by the length shown above. The cost of the CA6 or CA10 under the shoulder shall be included in the contract unit price per m^2 (SQ. YD.) for SUB-BASE GRANULAR MATERIAL, TYPE A of the thickness specified. The filter fabric to be used shall conform to the filter fabric used for Riprap.

ROCK OUTLET AT ALL LOW POINTS TO BE 900 (36) WIDE AND EXTEND TO FORESLOPE



SECTION A-A

NOTE: Slope same as shoulder with 2% min.

REVISED 13-JULY-95

c:\projects\d2stnd\z96p14.dgn

CHECKED BY:

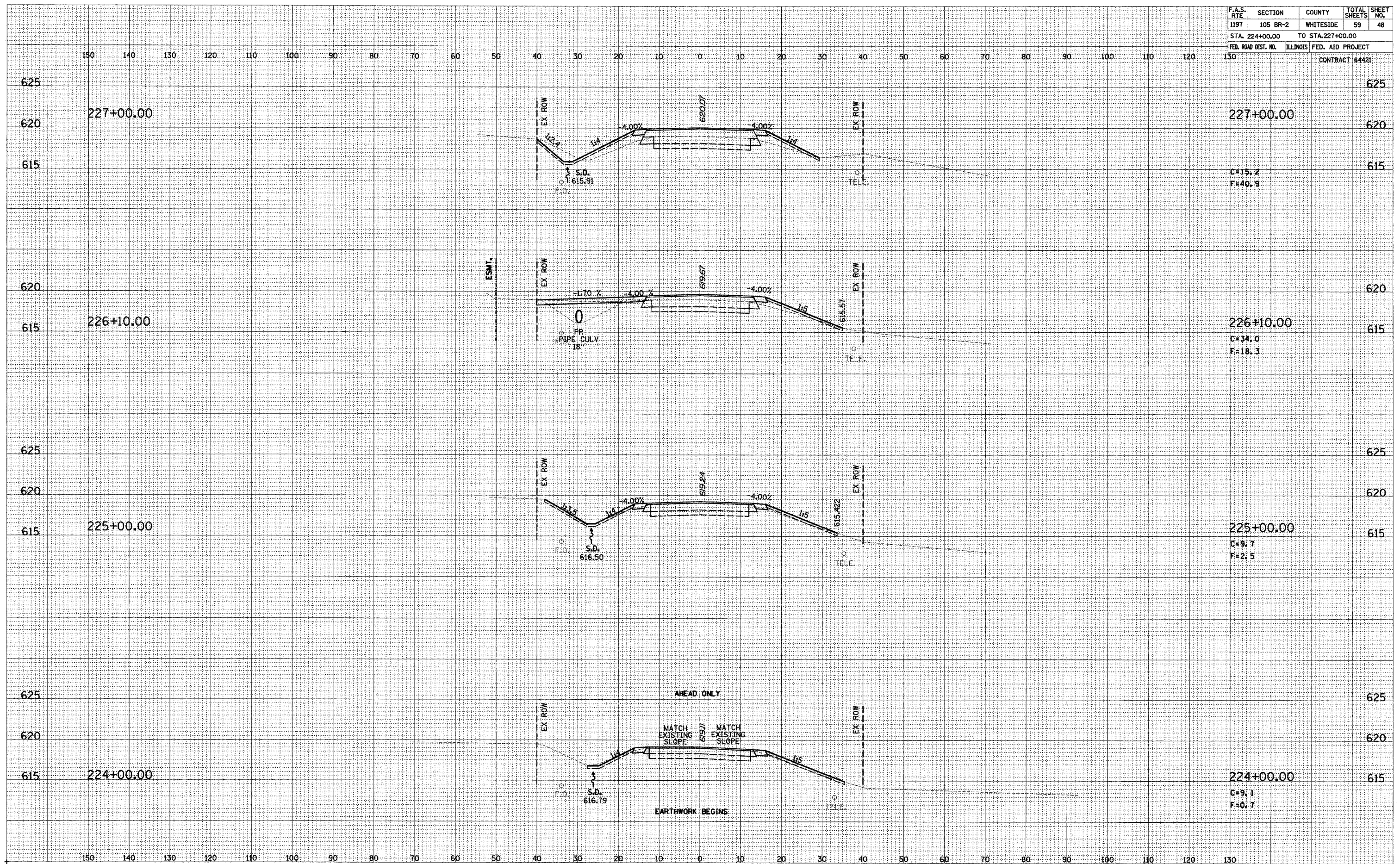
DRAWN BY:

DESIGNED BY:

F.A.S. RTE	SECTION	COUNTY	TOTAL SHEETS	SHEET NO.
1197	105 BR-2	WHITESIDE	59	48
STA. 224+00.00 TO STA. 227+00.00				
FED. ROAD DIST. NO. ILLINOIS FED. AID PROJECT				
CONTRACT 64421				

BY	DATE
FINAL SURVEYED PLOTTED TEMPLATE	
NOTE BOOK	
AREAS CHECKED	
NO.	

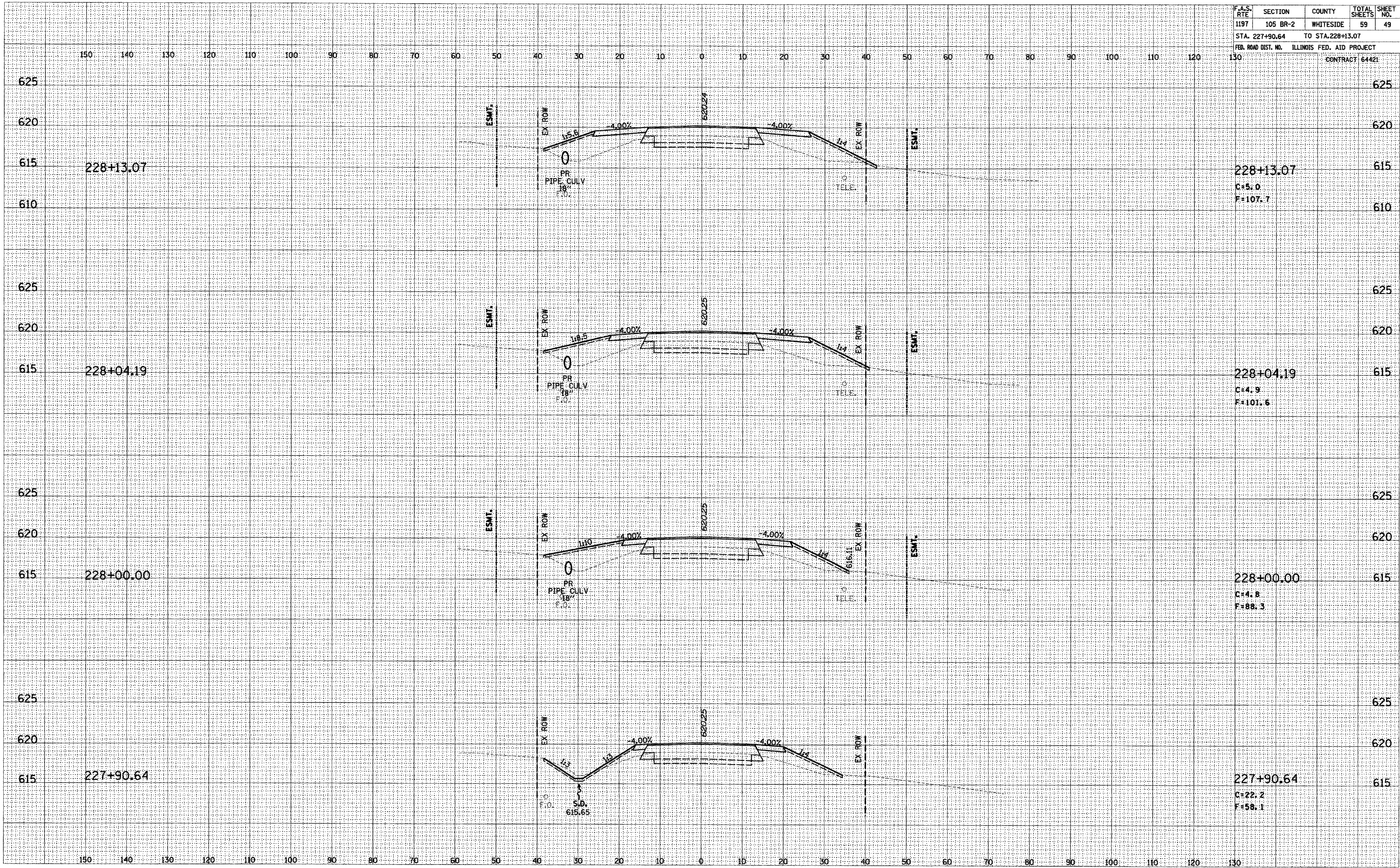
BY	DATE
ORIGINAL SURVEYED PLOTTED TEMPLATE	
NOTE BOOK	
AREAS CHECKED	
NO.	



F.A.S. RTE	SECTION	COUNTY	TOTAL SHEETS	SHEET NO.
1197	105 BR-2	WHITESIDE	59	49
STA. 227+90.64		TO STA. 228+13.07		
FED. ROAD DIST. NO.		ILLINOIS FED. AID PROJECT		
CONTRACT 64421				

DATE	BY

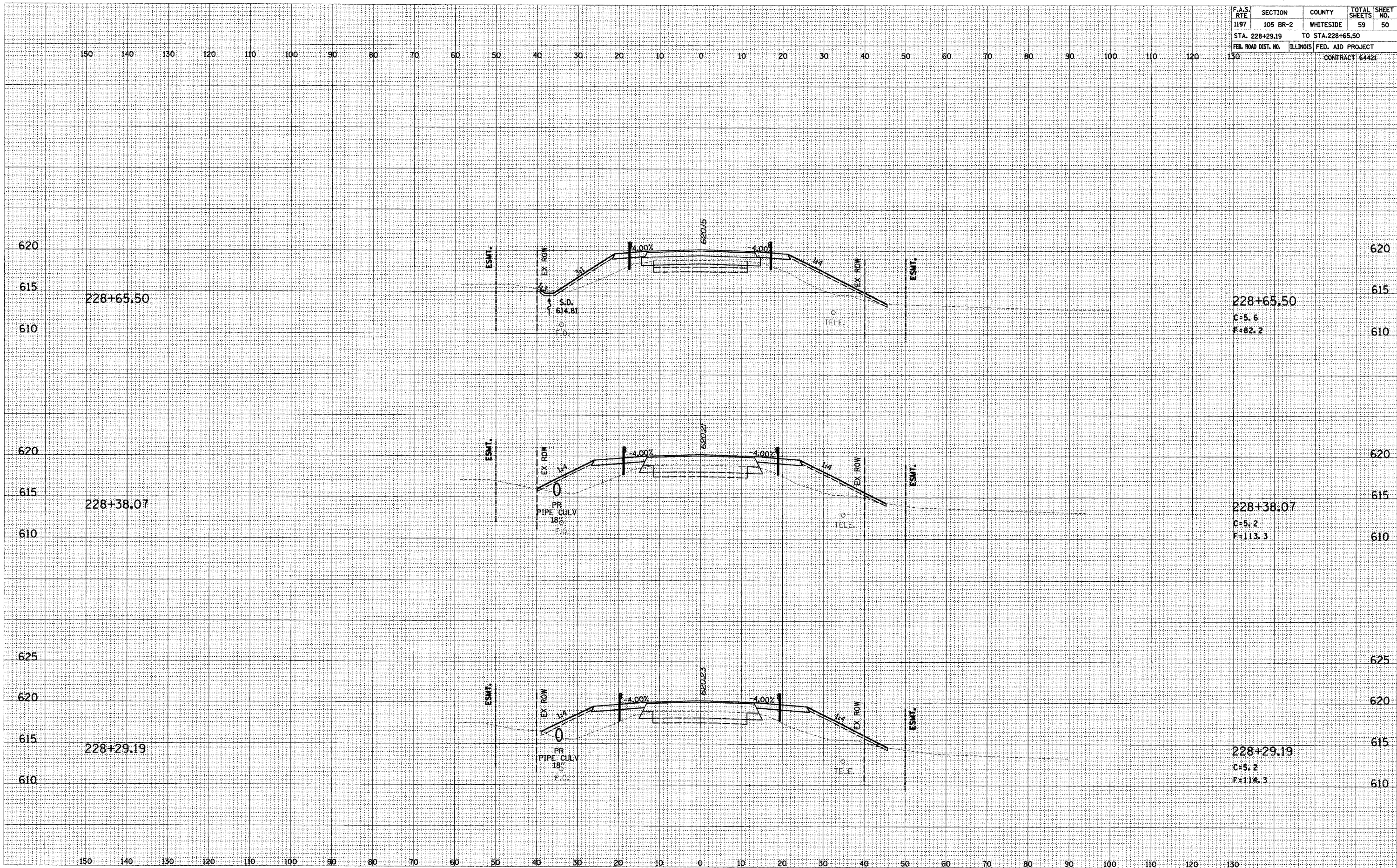
DATE	BY



F.A.S. RTE	SECTION	COUNTY	TOTAL SHEETS	SHEET NO.
1197	105 BR-2	WHITESIDE	59	50
STA. 228+29.19 TO STA. 228+65.50				
FED. ROAD DIST. NO. ILLINOIS FED. AID PROJECT				
			CONTRACT 64421	

DATE	
BY	
FINAL SURVEY	
SURVEYED	
PLOTTED	
NOTE BOOK	
AREAS CHECKED	
NO.	

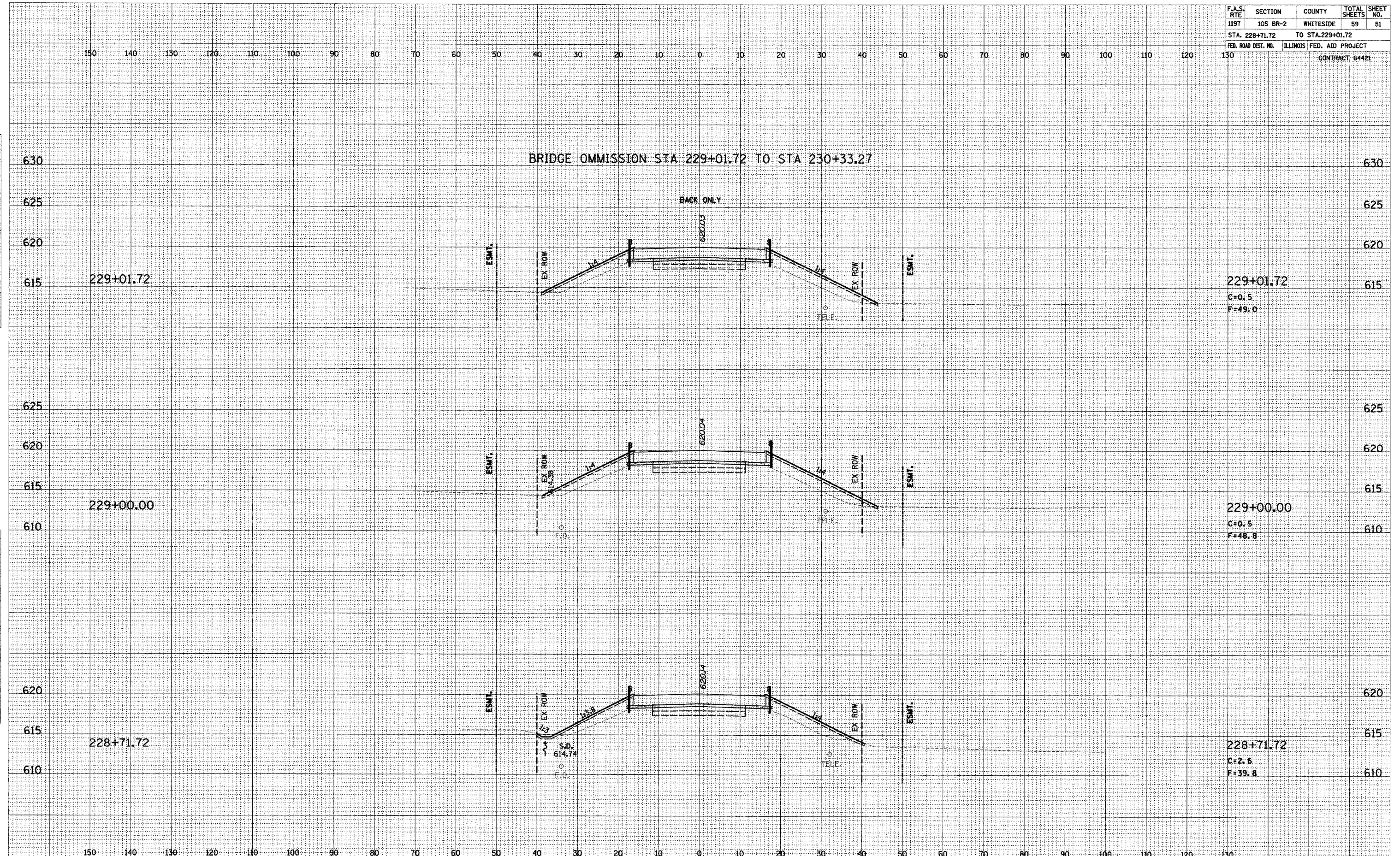
DATE	
BY	
ORIGINAL SURVEY	
SURVEYED	
PLOTTED	
NOTE BOOK	
AREAS CHECKED	
NO.	



F.A.S. RTE	SECTION	COUNTY	TOTAL SHEETS	SHEET NO.
1197	105 BR-2	WHITESIDE	59	51
STA. 228+71.72		TO STA. 229+01.72		
FED. ROAD DIST. NO.		ILLINOIS FED. AID PROJECT		
CONTRACT 64421				

DATE	
BY	
FINAL SURVEY	
NOTED	
NOTE BOOK	
AREAS CHECKED	
NO.	

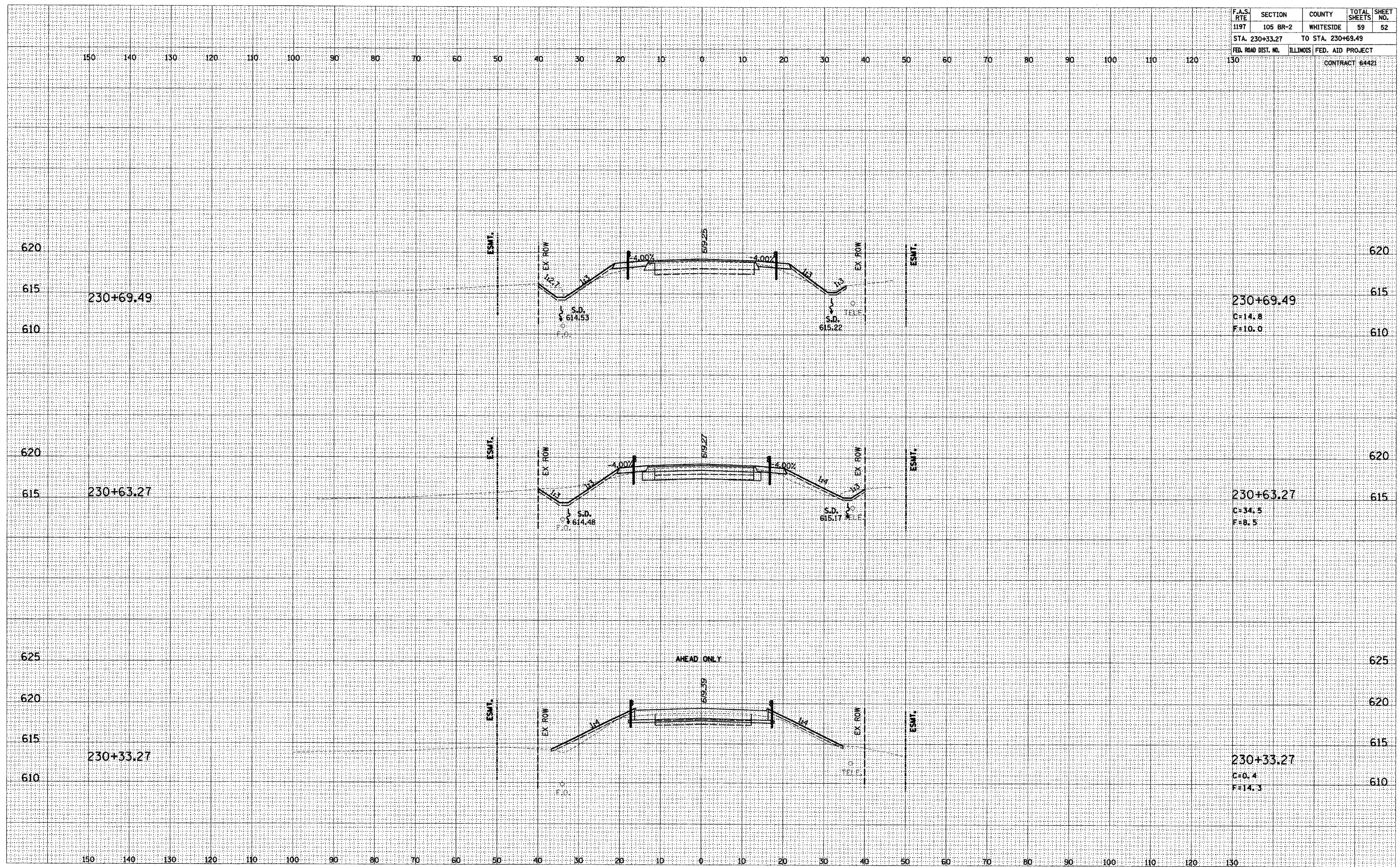
DATE	
BY	
ORIGINAL SURVEY	
NOTED	
NOTE BOOK	
AREAS CHECKED	
NO.	



F.A.S. RTE	SECTION	COUNTY	TOTAL SHEETS	SHEET NO.
1197	105 BR-2	WHITESIDE	59	52
STA. 230+33.27		TO STA. 230+69.49		
FED. ROAD DIST. NO.		ILLINOIS		FED. AID PROJECT
CONTRACT 64421				

FINAL SURVEY	DATE
SUBMITTED	BY
PLATE	
NOTE BOOK	
AREAS CHECKED	

ORIGINAL SURVEY	DATE
SUBMITTED	BY
PLATE	
NOTE BOOK	
AREAS CHECKED	



PLOT DATE: 11/5/2004 10:57:44 AM 005499AXM1.DGN

MOLINE ROAD STA 230+33.27 TO STA 230+69.49

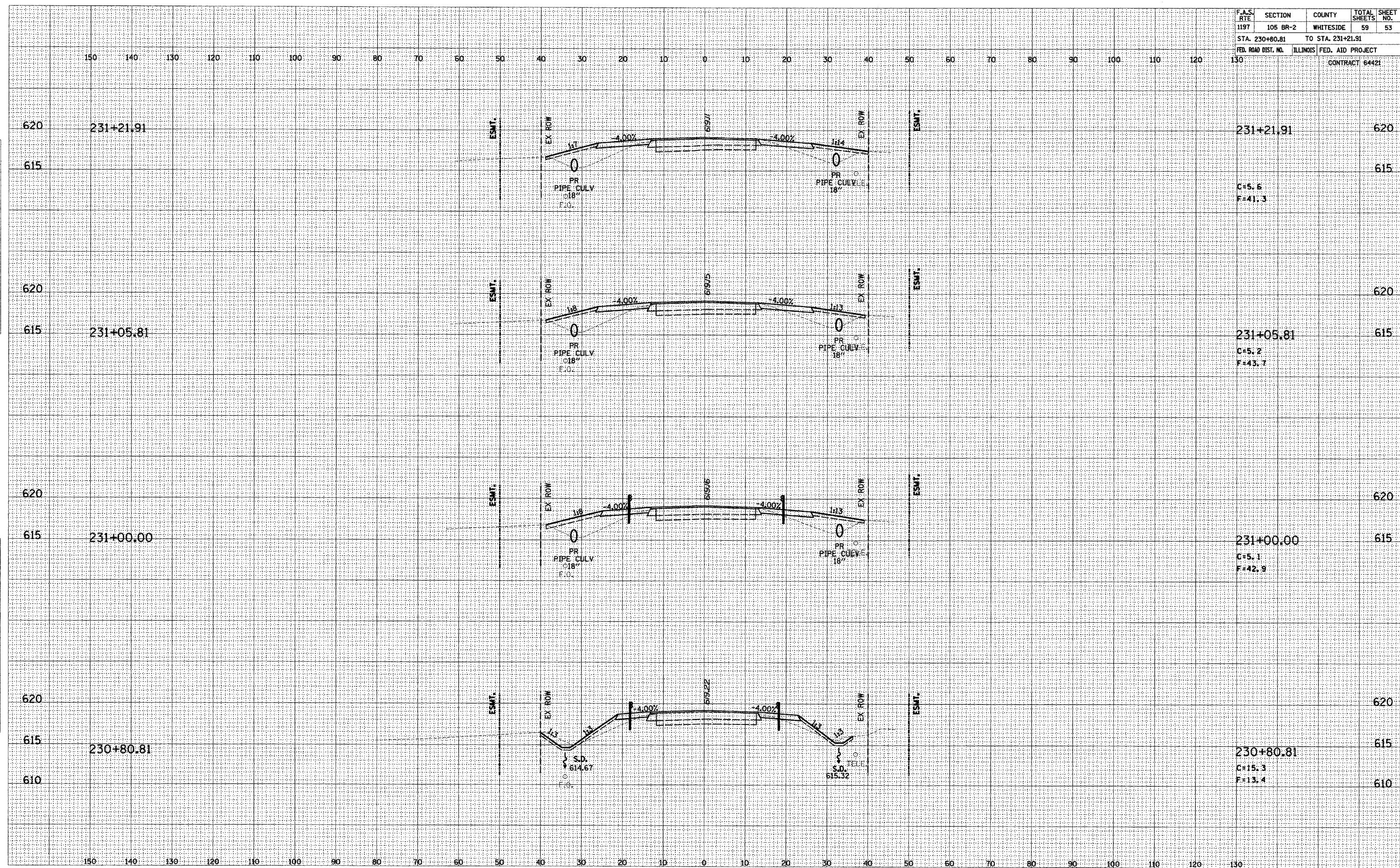
F.A.S. RTE	SECTION	COUNTY	TOTAL SHEETS	SHEET NO.
1197	105 BR-2	WHITESIDE	59	53
STA. 230+80.81		TO STA. 231+21.91		
FED. ROAD DIST. NO.	ILLINOIS	FED. AID PROJECT		
		CONTRACT 64421		

BY	DATE

ORIGINAL SURVEY	
FINAL SURVEY	
NOTE BOOK	
AREAS CHECKED	
NO.	

BY	DATE

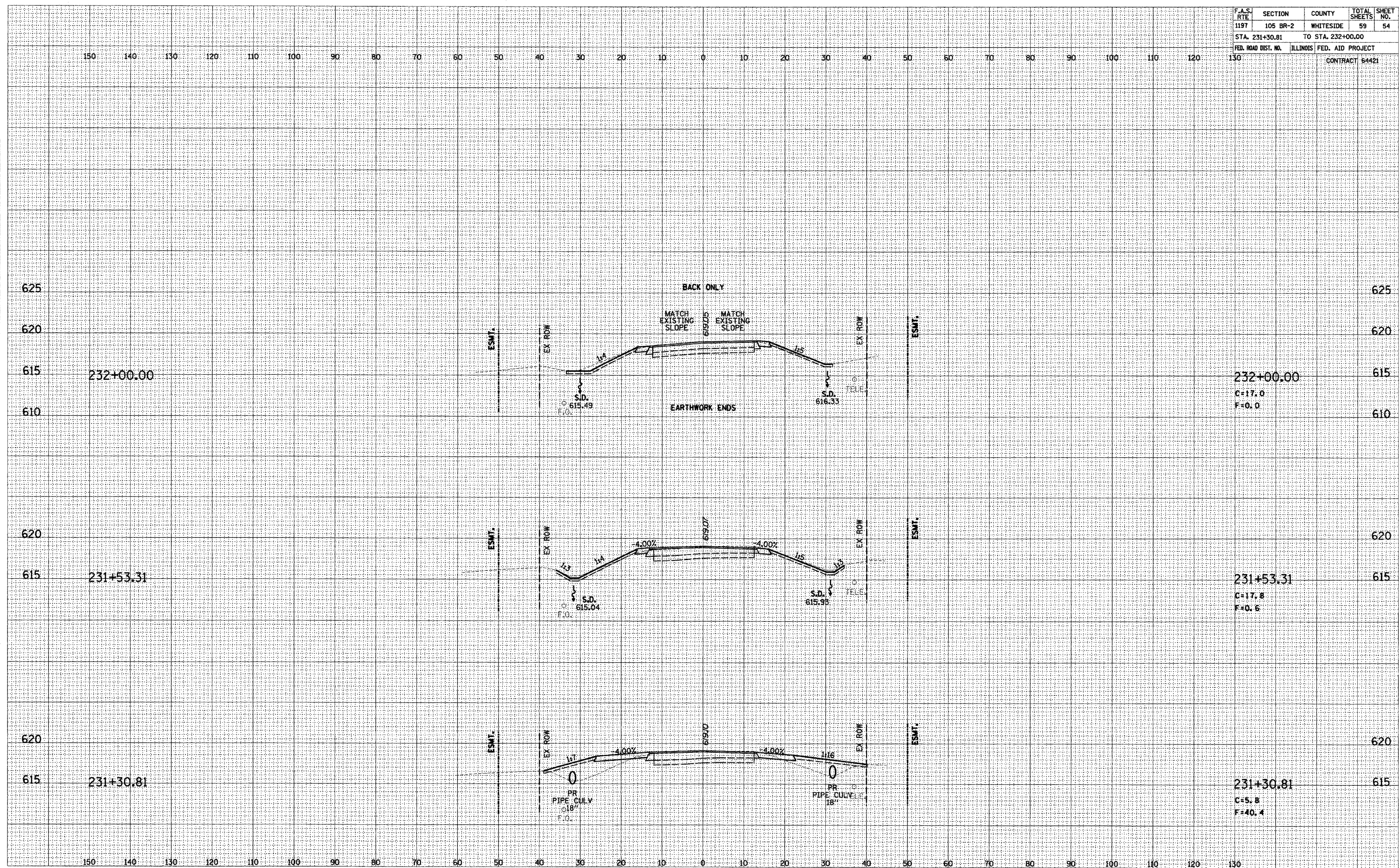
ORIGINAL SURVEY	
FINAL SURVEY	
NOTE BOOK	
AREAS CHECKED	
NO.	



F.A.S. RTE	SECTION	COUNTY	TOTAL SHEETS	SHEET NO.
1197	105 BR-2	WHITESIDE	59	54
STA. 231+30.81		TO STA. 232+00.00		
FED. ROAD DIST. NO.		ILLINOIS FED. AID PROJECT		
CONTRACT 64421				

DATE	
BY	
SURVEYED	
FINAL SURVEY	
NOTE BOOK	
NO.	

DATE	
BY	
SURVEYED	
ORIGINAL SURVEY	
NOTE BOOK	
NO.	



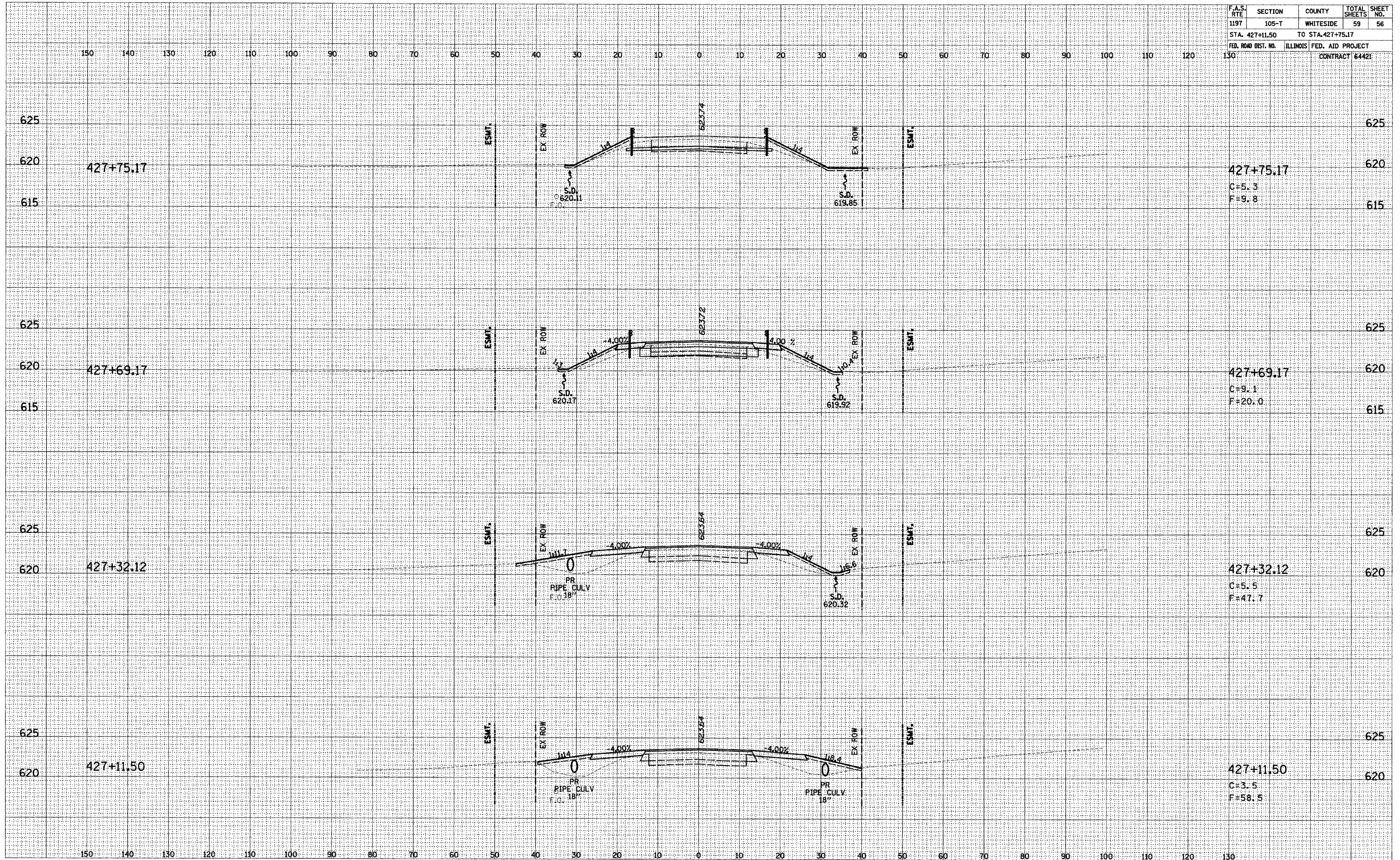
PLOT DATE: 11/5/2004 10:57:56 AM D05499AXML.DGN

MOLINE ROAD STA 231+30.81 TO STA 232+00.00

F.A.S. RTE	SECTION	COUNTY	TOTAL SHEETS	SHEET NO.
1197	105-T	WHITESIDE	59	56
STA. 427+11.50		TO STA. 427+75.17		
FED. ROAD DIST. NO.		ILLINOIS	FED. AID PROJECT	
CONTRACT 64421				

DATE	
BY	
FINAL SURVEY	SURVEYED
NO. 1	PLOTTED
	DATE
	AREAS CHECKED

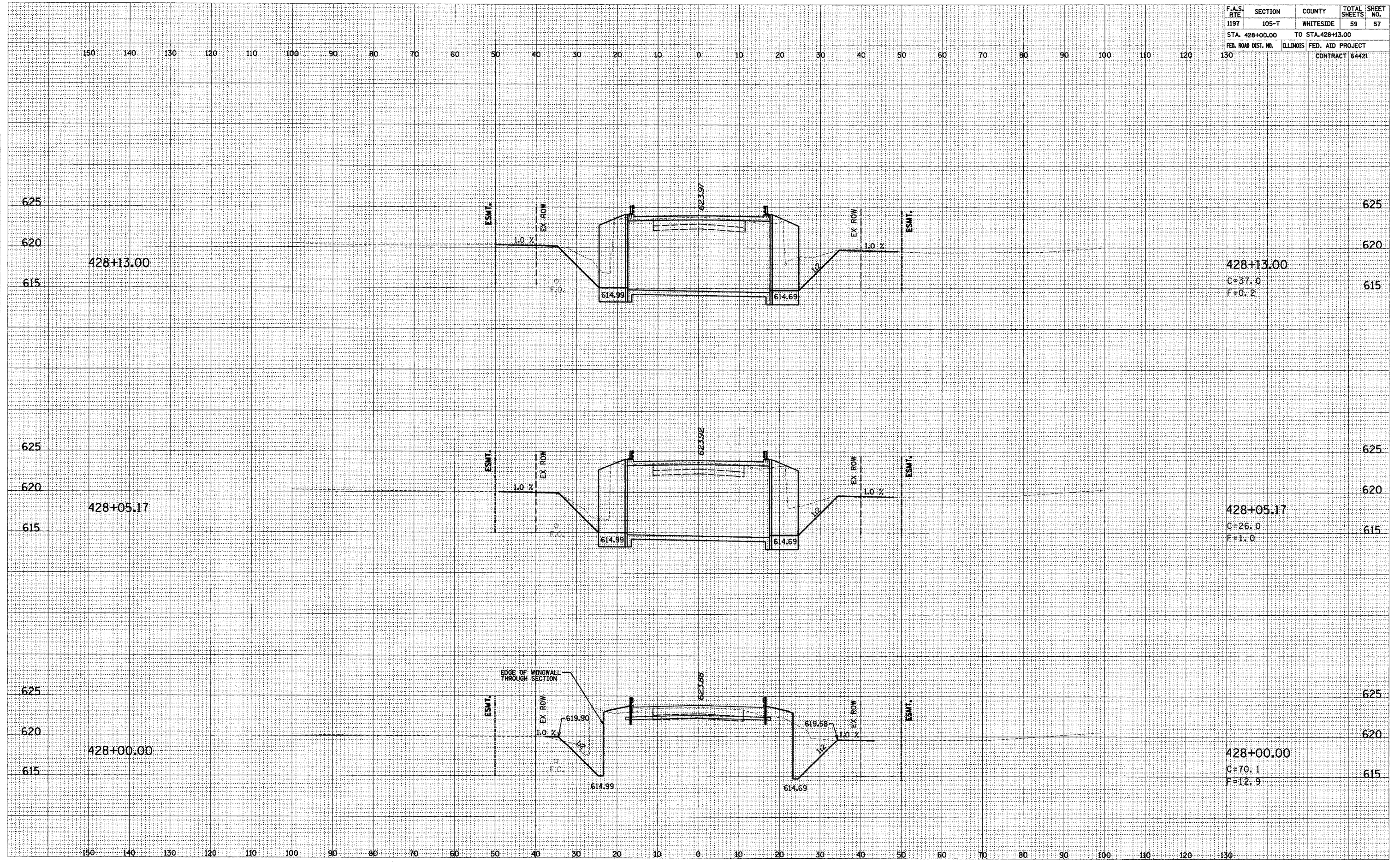
DATE	
BY	
ORIGINAL SURVEY	SURVEYED
NO. 1	PLOTTED
	DATE
	AREAS CHECKED



F.A.S. RTE	SECTION	COUNTY	TOTAL SHEETS	SHEET NO.
1197	105-T	WHITESIDE	59	57
STA. 428+00.00		TO STA. 428+13.00		
FED. ROAD DIST. NO.	ILLINOIS	FED. AID PROJECT		
		CONTRACT 64421		

FINAL SURVEY	DATE
SUPPLEMENTED	BY
NOTE BOOK	
AREAS CHECKED	
NO.	

ORIGINAL SURVEY	DATE
SUPPLEMENTED	BY
NOTE BOOK	
AREAS CHECKED	
NO.	



PLOT DATE: 11/5/2004 11:20:15 AM d05499bxml.dgn

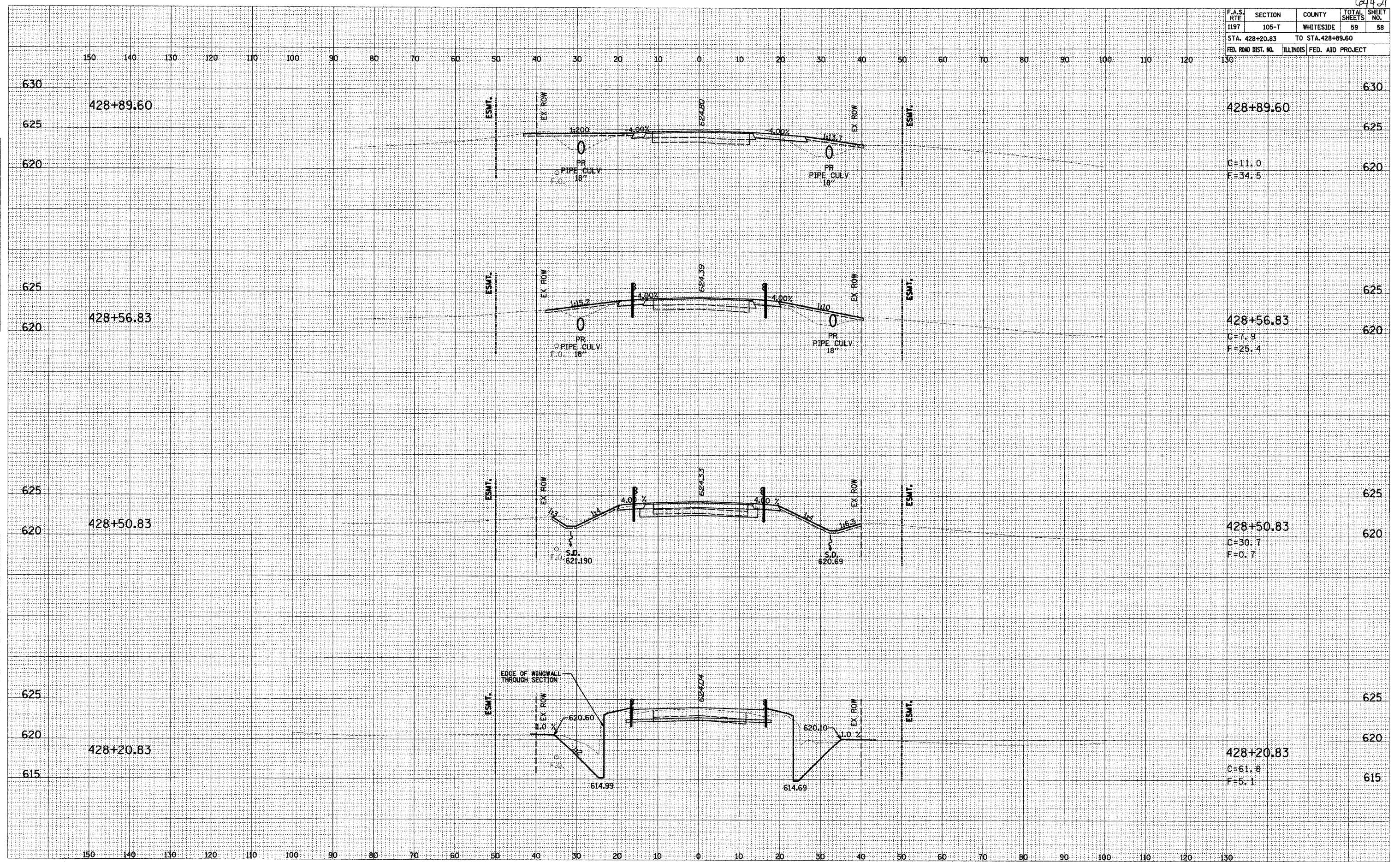
MOLINE ROAD STA 428+00.00 TO STA 428+13.00

64421

F.A.S. RTE	SECTION	COUNTY	TOTAL SHEETS	SHEET NO.
1197	105-T	WHITESIDE	59	58
STA. 428+20.83		TO STA. 428+89.60		
FED. ROAD DIST. NO.	ILLINOIS	FED. AID PROJECT		

DATE: _____
 BY: _____
 SURVEYED: _____
 SURVEY: _____
 TEMPLATE: _____
 NOTE BOOK: _____
 AREAS CHECKED: _____
 NO. _____

DATE: _____
 BY: _____
 SURVEYED: _____
 SURVEY: _____
 TEMPLATE: _____
 NOTE BOOK: _____
 AREAS CHECKED: _____
 NO. _____



64421

F.A.S. RTE	SECTION	COUNTY	TOTAL SHEETS	SHEET NO.
1197	105-T	WHITESIDE	59	59
STA. 429+00.00 TO STA. 429+62.04				
FED. ROAD DIST. NO. ILLINOIS FED. AID PROJECT				

DATE: _____
 BY: _____
 SURVEYED _____
 PLOTTED _____
 NOTE BOOK _____
 AREAS CHECKED _____

DATE: _____
 BY: _____
 SURVEYED _____
 PLOTTED _____
 NOTE BOOK _____
 AREAS CHECKED _____

