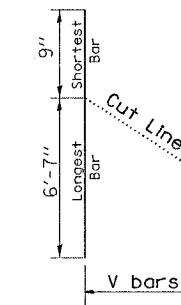
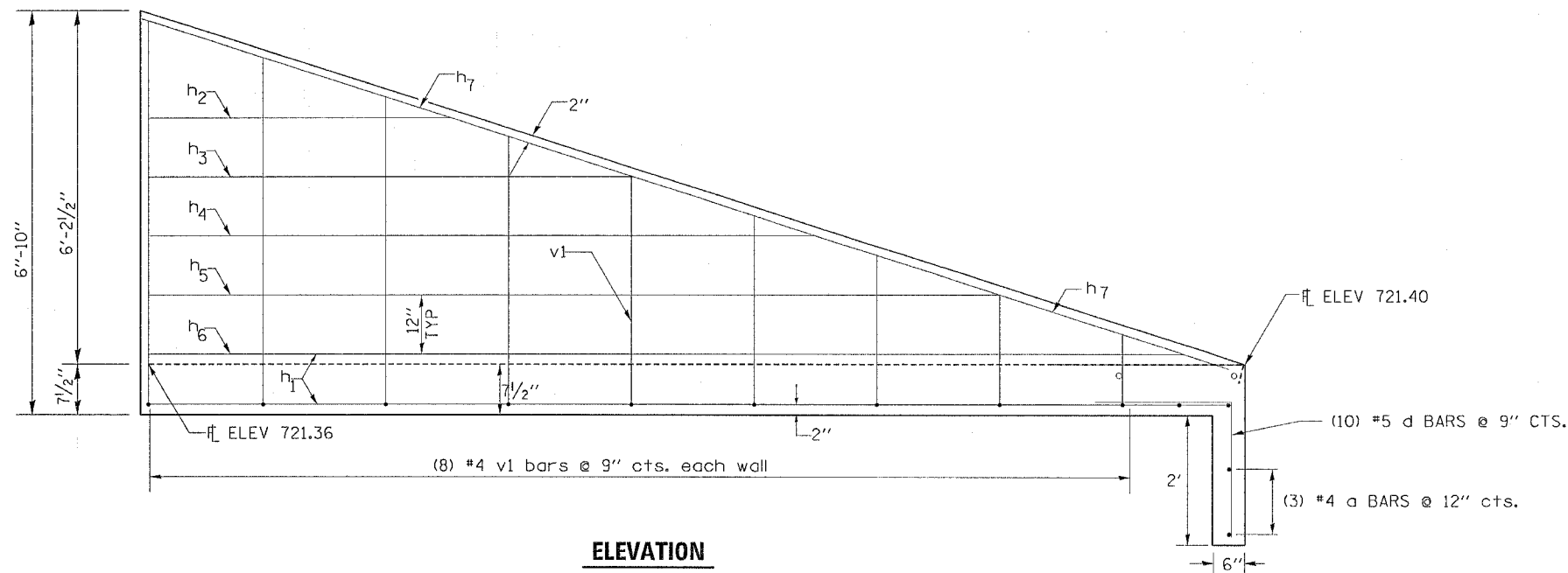
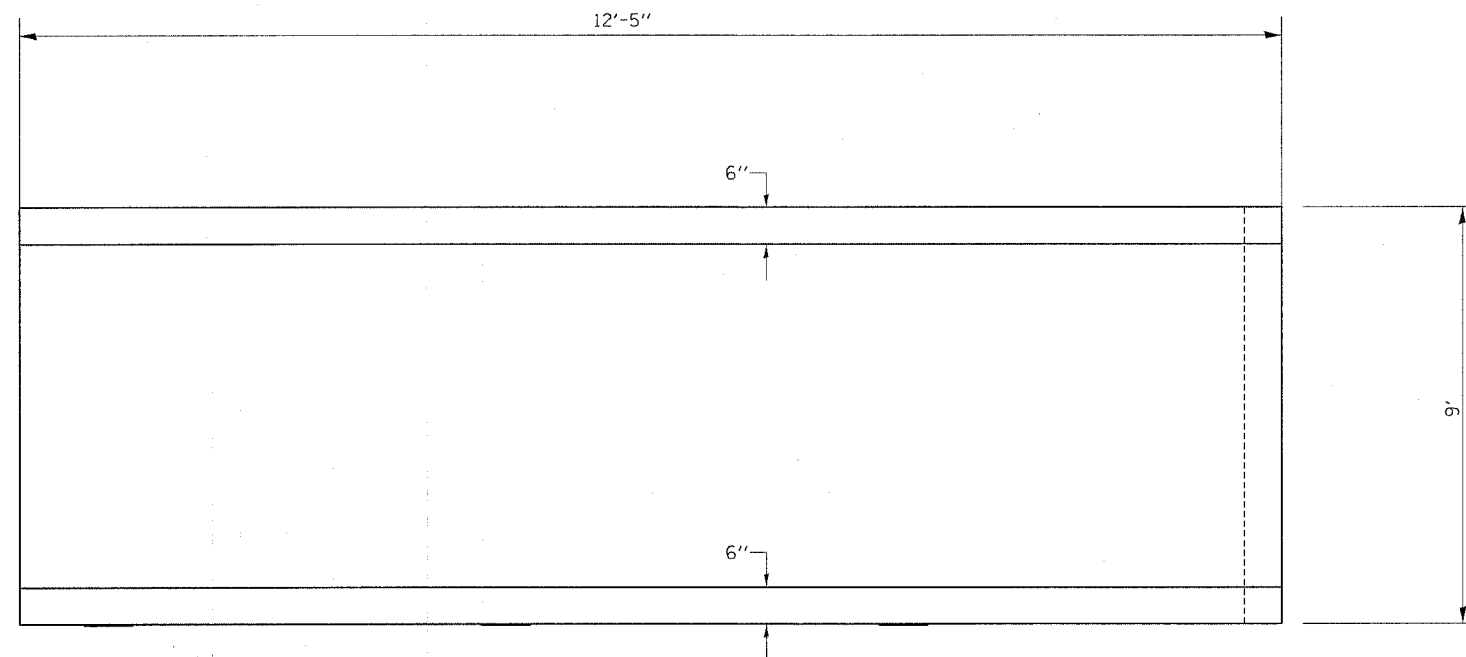


F.A.P. RTE.	SECTION	COUNTY	TOTAL SHEETS	SHEET NO.
549	116RS-1	OGLE	593	210
STA.		TO STA.		
FED. ROAD DIST. NO.		ILLINOIS	FED. AID PROJECT	

CONCRETE BOX CULVERT END SECTION

STA. 584 + 14.64 RT



BAR v₁
cut diagram

Order V₁ bars full length
Cut to fit as shown and
use remainder of bars in
opposite wall.