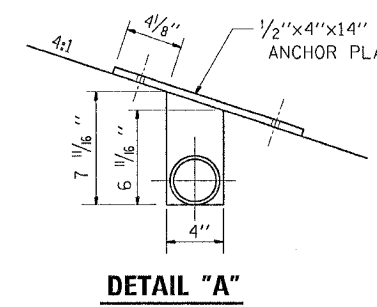
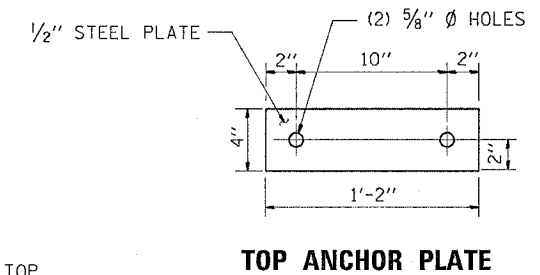
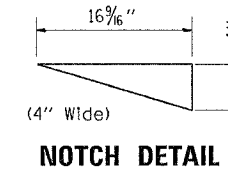
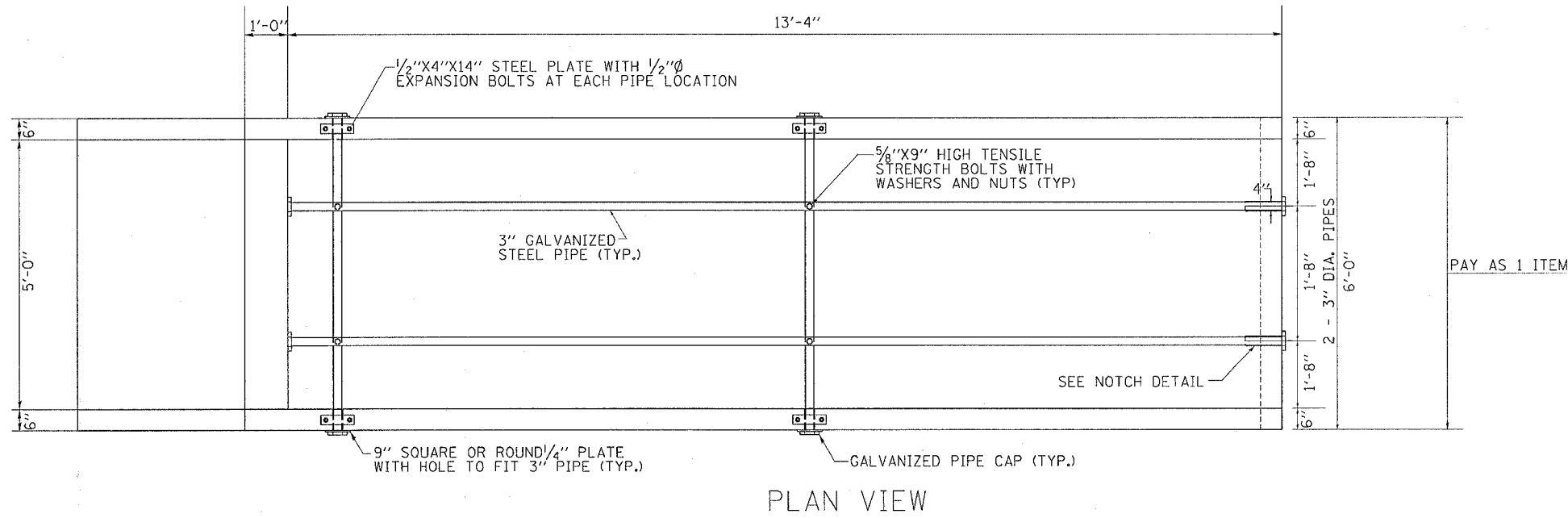


GRATED CULVERT EXTENSION NO. 5 & 6

RT /LT STA. 664 + 12.23
RT /LT STA. 671 + 36.73

F.A.P. RTE.	SECTION	COUNTY	TOTAL SHEETS	SHEET NO.
549	116RS-1	OGLE	593	203
STA.		TO STA.		
FED. ROAD DIST. NO.	ILLINOIS	FED. AID PROJECT		
CONTRACT NO. 64178				

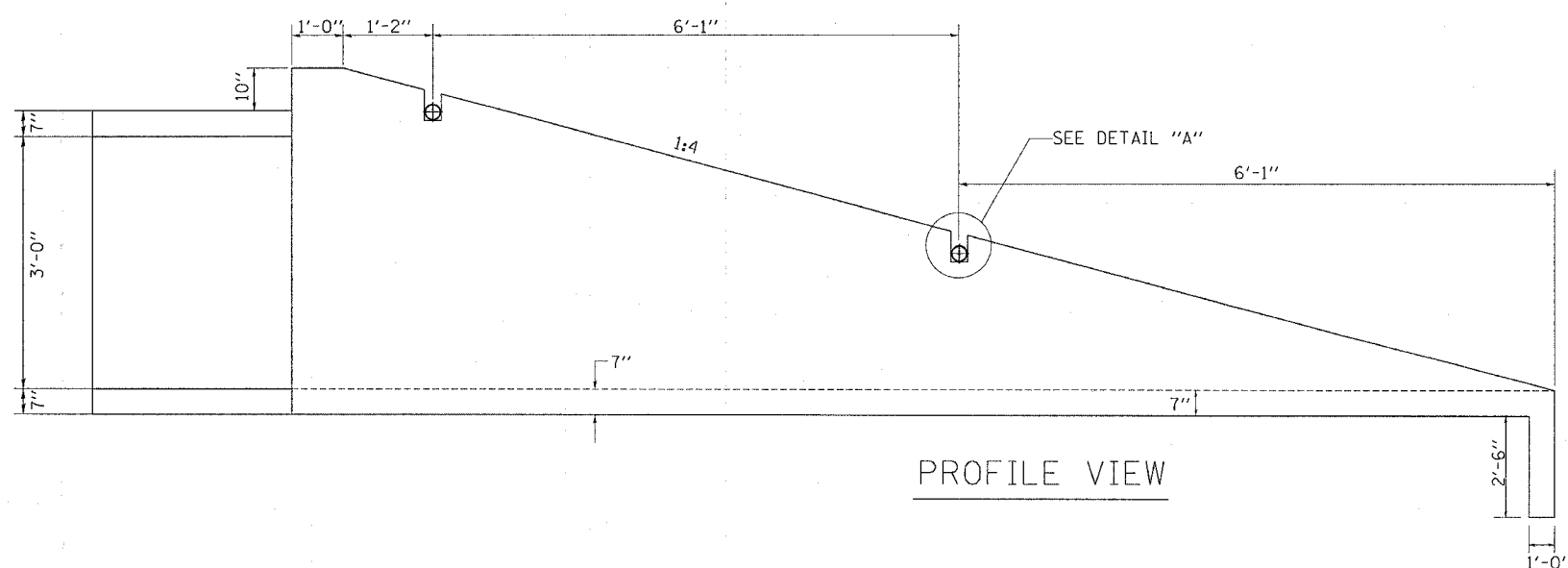


BILL OF MATERIALS (FOR ONE EXTENSION)

DESCRIPTION	UNIT	QTY.
3" Galvanized Steel Pipe	2@	13'-4"
3" Galv Pipe Caps	2@	6'-4"
1/4" Galv. Stl. Plate (9" Nominal)	EACH	8
1/2"x4"x14" Galv. Steel Plate	EACH	4
5/8"x9" Galv. Steel Bolts	EACH	4
Expansion Bolts 1/2"Ø	EACH	8

GENERAL NOTES:

- Slope flow line of the extension at the same rate as the flow line of the box.
- Bolts, Nuts, and Washers shall be in accordance with Article 710.11 of the standard specification and shall be galvanized.
- The contract unit price "Each" for Grated Culvert Extension No. 5 & 6 shall be of precast construction. It shall also include the Class SI Concrete for the Collar, Galvanized Pipe, Bolts, Nuts, Washers, Steel Plates.
- Steel pipes shall conform to A.S.T.M. A-53 (Type E or S) Grade B, Schedule 40, and shall be galvanized conforming to A.S.T.M. A-120. Contractor shall field verify pipe length.
- Steel Plates shall conform to AASHTO M-183 and shall be galvanized conforming to AASHTO M-111.
- SEE PLAN AND PROFILE SHEET FOR MORE INFORMATION
- SEE CULVERT LOCATION PLANS FOR MORE INFORMATION
- SEE CULVERT STAGING PLANS FOR MORE INFORMATION



DATE TIME
PREP. SPEC.
REF. AREF.
REF. REF.
REF. REF.