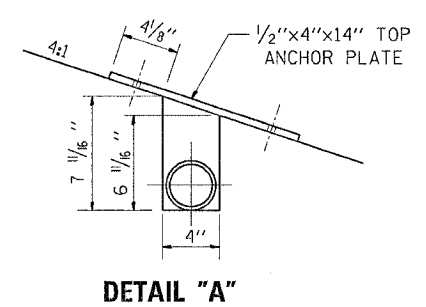
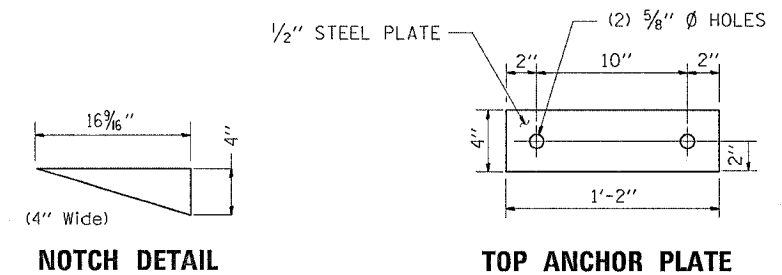
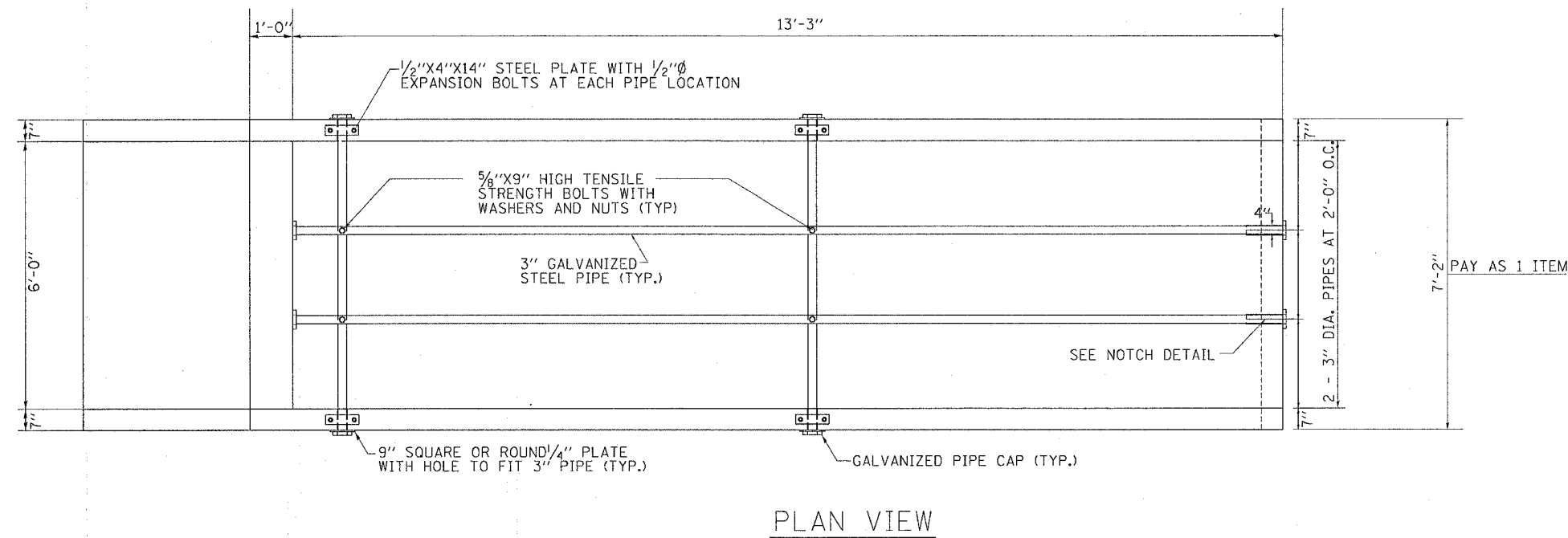


GRATED CULVERT EXTENSION NO. 3

RT STA. 651 + 37.00

F.A.P. RTE.	SECTION	COUNTY	TOTAL SHEETS	SHEET NO.
549	116RS-1	OGLE	593	201
STA.		TO STA.		
FED. ROAD DIST. NO.		ILLINOIS FED. AID PROJECT		
CONTRACT NO. 64178				



BILL OF MATERIALS
(FOR ONE EXTENSION)

DESCRIPTION	UNIT	QTY.
3" Galvanized Steel Pipe	2@	13'-3"
	2@	7'-6"
3" Galv Pipe Caps	EACH	8
1/4" Galv. Stl. Plate (9" Nominal)	EACH	4
1/2"x4"x14" Galv. Steel Plate	EACH	4
5/8"x9" Galv. Steel Bolts	EACH	4
Expansion Bolts 1/2"Ø	EACH	8

GENERAL NOTES:

Slope flow line of the extension at the same rate as the flow line of the box.

Bolts, Nuts, and Washers shall be in accordance with Article 710.11 of the standard specification and shall be galvanized.

The contract unit price "Each" for Grated Culvert Extension No. 3 shall be of precast construction. It shall also include the Class SI Concrete for the Collar, Galvanized Pipe, Bolts, Nuts, Washers, Steel Plates.

Steel pipes shall conform to A.S.T.M. A-53 (Type E or S) Grade B, Schedule 40, and shall be galvanized conforming to A.S.T.M. A-120. Contractor shall field verify pipe length.

Steel Plates shall conform to AASHTO M-183 and shall be galvanized conforming to AASHTO M-111.

SEE PLAN AND PROFILE SHEET FOR MORE INFORMATION
SEE CULVERT LOCATION PLANS FOR MORE INFORMATION

