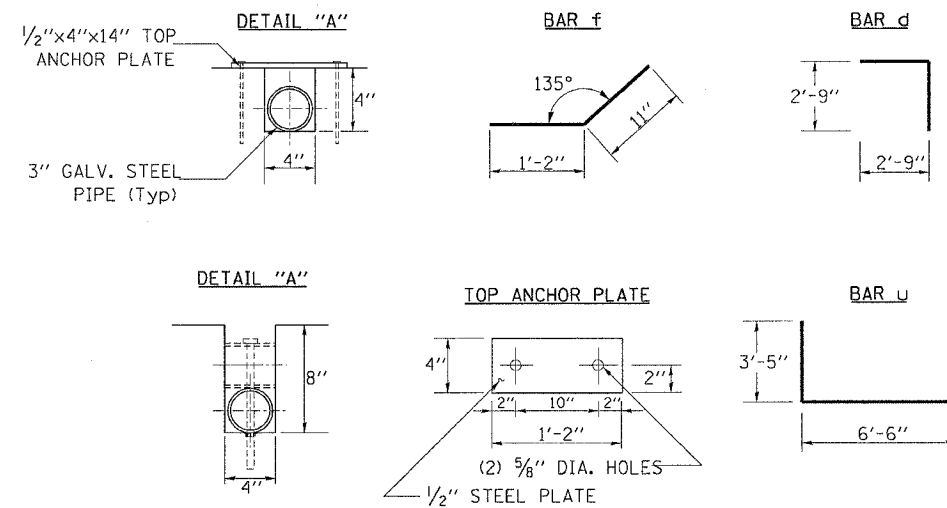
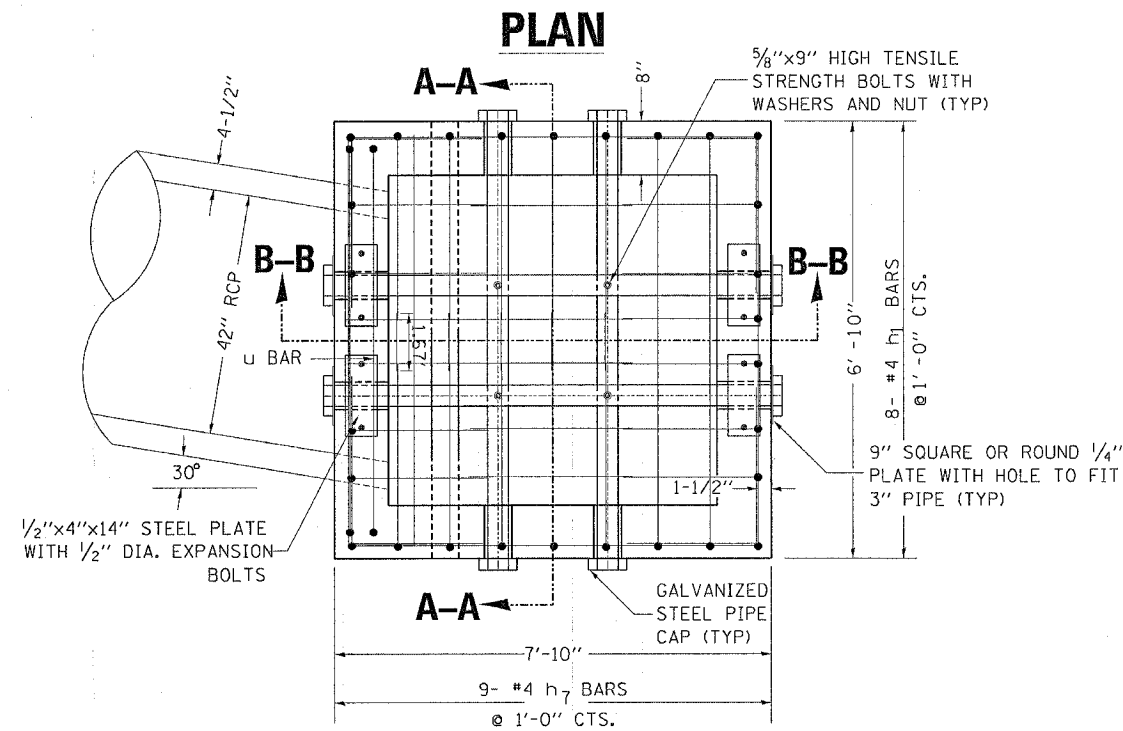


# DROP BOX NO. 3

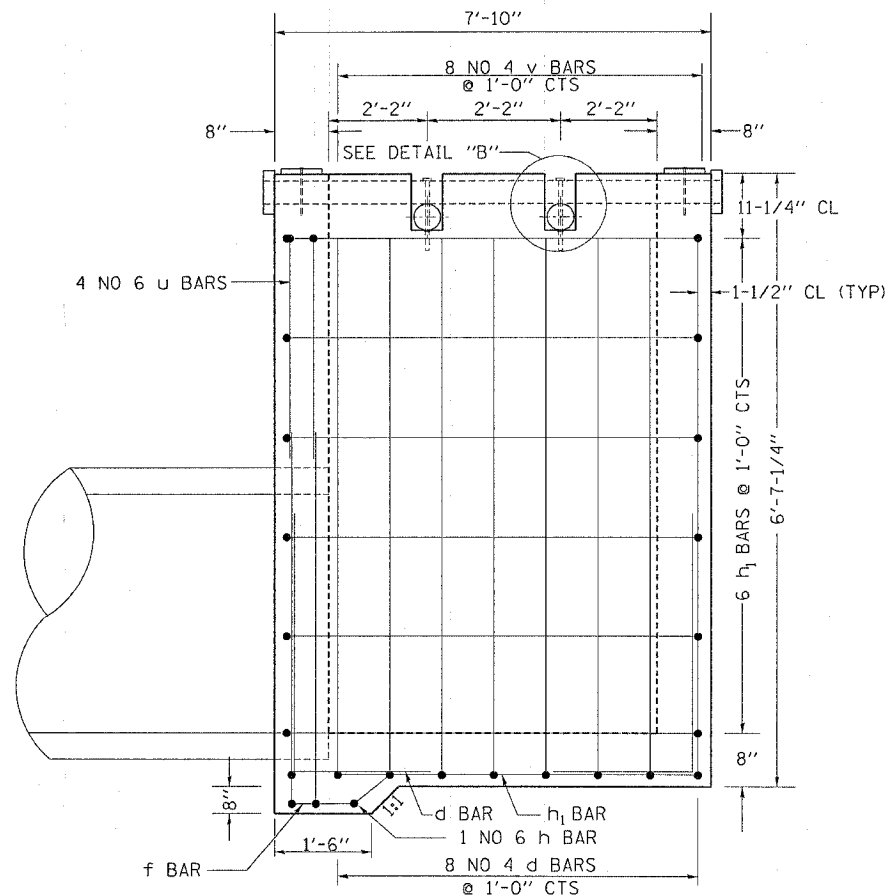
## STA 528 + 13.37

### 30.7' RT

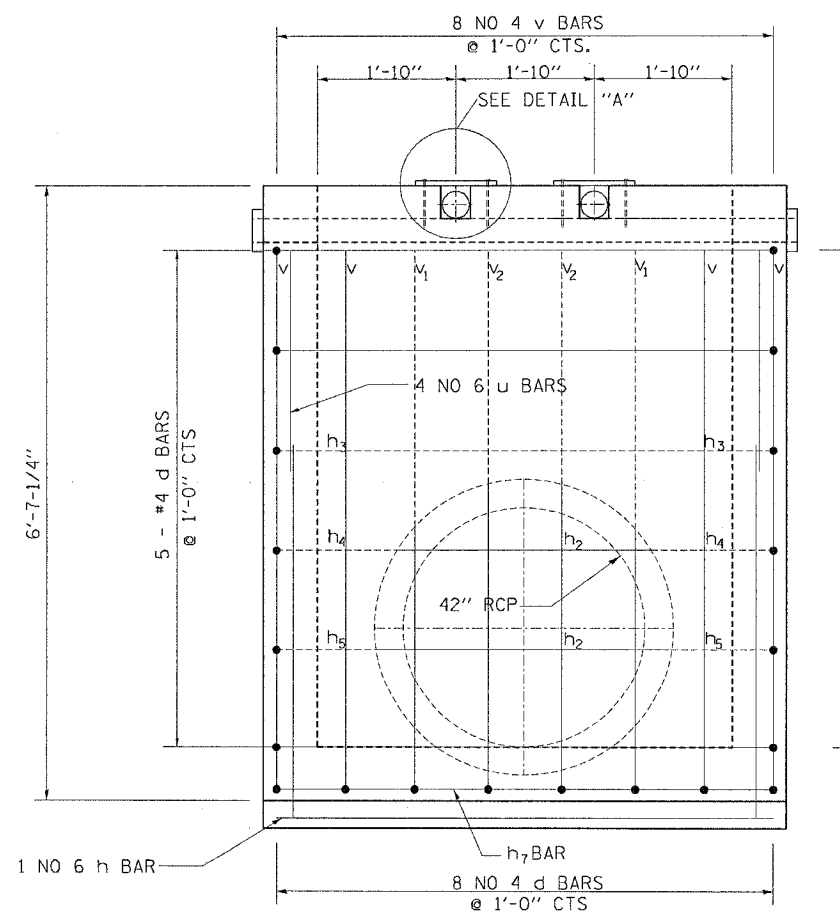
F.A.P. RTE.	SECTION	COUNTY	TOTAL SHEETS	SHEET NO.
549	116RS-1	OGLE	593	195
STA.		TO STA.		
FED. ROAD DIST. NO.		ILLINOIS	FED. AID PROJECT	
CONTRACT NO. 64178				



### SECTION B-B



### SECTION A-A



### BILL OF MATERIAL

BAR	SIZE	NO.	LENGTH	BAR SHAPE
d	4	36	5'-6"	
f	4	3	2'-1"	
h	4	1	6'-6"	
h1	6	26	7'-7"	
h2	4	9	6'-7"	
h3	4	2	1'-6"	
h4	4	2	1'-0"	
h5	4	2	1'-2"	
h7	4	9	6'-7"	
u	6	4	9'-11"	
v	4	28	5'-6"	
v1	4	2	2'-7"	
v2	4	2	2'-2.5"	
DESCRIPTION		UNIT	QTY	
CLASS "SI" CONCRETE		CU YD	5.2	
REINFORCEMENT BARS		LB	689.84	
EXPANSION BOLTS 1/2"		EACH	8	
5/8" X 9" GAL. STEEL BOLTS		EACH	4	
3" GALV. STEEL PIPE		e2	8'-2"	
		e2	7'-2"	
3" GALV. PIPE CAPS		EACH	8	
1/2" X 4" X 14" GALV. PLATE		EACH	4	
1/4" GALV. STEEL PLATE (9" NOMINAL)		EACH	4	

### GENERAL NOTES

This work shall be done according to the applicable portion of 503, 508, and 542 of the Standard Specifications.

Class "SI" Concrete shall be used. Exposed edges shall be beveled 3/4".

The contract unit price "each" for DROP BOX NO. 3 shall include the Expansion Bolts, Galvanized Pipe, Class "SI" Concrete, Reinforcement Bars, Bolts, Nuts, Washers, Steel Plates, earth excavation where required, and necessary grading to fit the Inlet as shown in the cross sections or to the slope

Reinforcement bars shall conform to the requirements of AASHTO M-31 or M-53, Grade 60.

STEEL PLATES SHALL CONFORM TO AASHTO M-183 AND SHALL BE GALVANIZED CONFORMING TO AASHTO M-111.

Bolts, Nuts, and Washers shall be in accordance with Article 710.11 of the Standard Specification and shall be galvanized.

Contractor shall field verify Galvanized pipe length