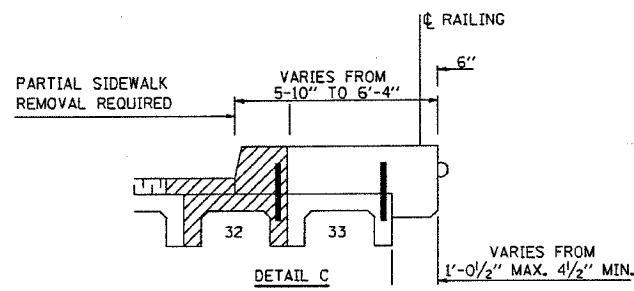
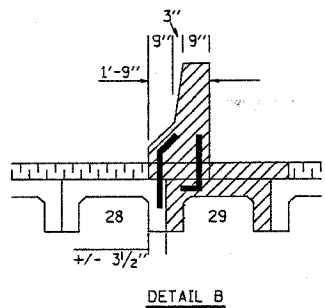
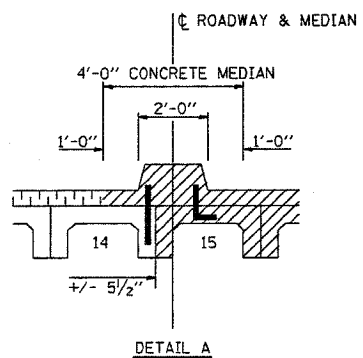
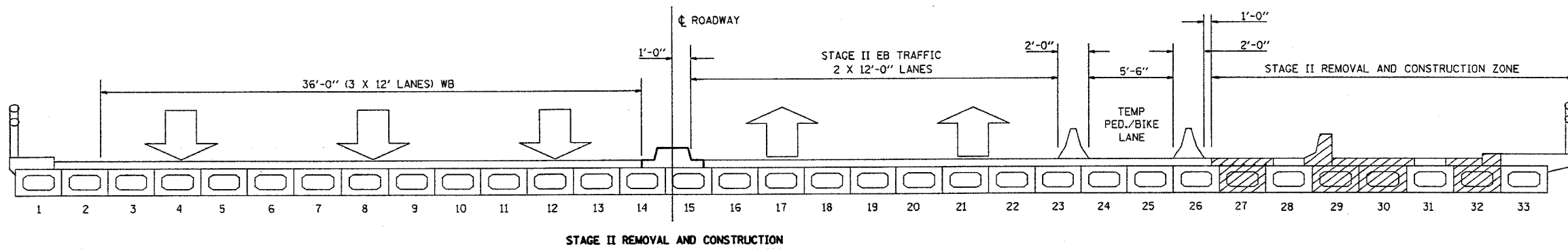
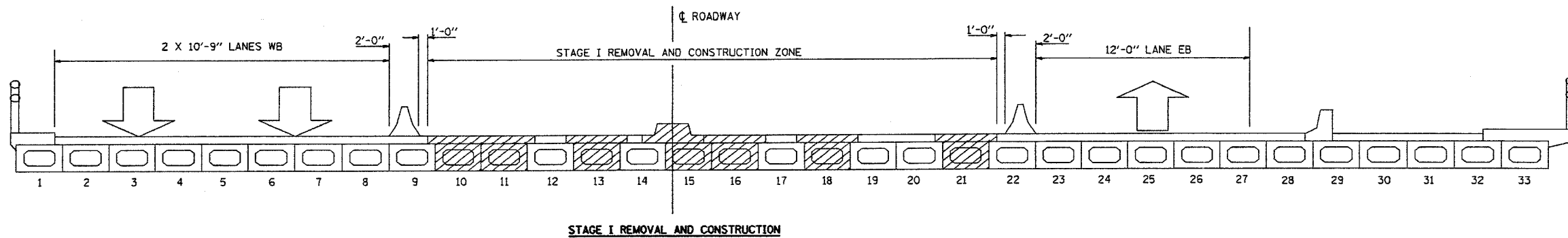
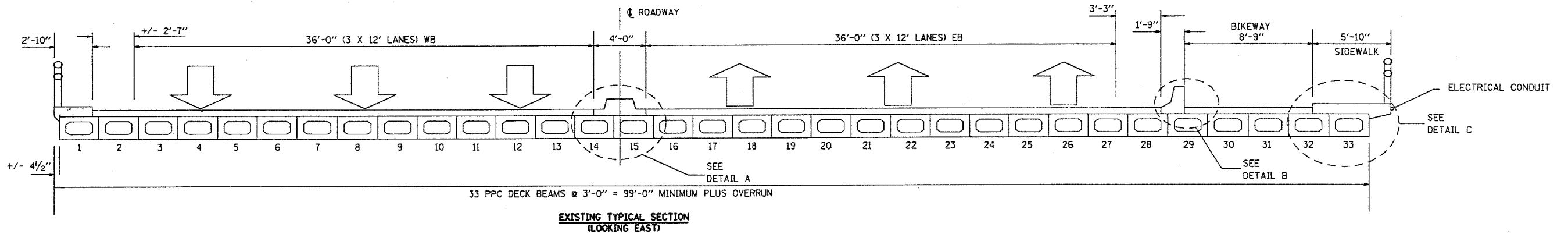


F.A.P. RTE.	F.A.P. RTE.	SECTION	COUNTY	TOTAL SHEETS	SHEET NO.
343	1453	2005-0058R	COOK/DUPAGE	14	5
STA.		TO STA.			
FED. ROAD DIST. NO.		ILLINOIS	FED. AID PROJECT		



REVISIONS	DATE

ILLINOIS DEPARTMENT OF TRANSPORTATION

STAGING LAYOUT
LOCATION 2
SN: 022-0084

SCALE: VERT. / HORIZ.
DATE

DRAWN BY
CHECKED BY

PLOT DATE = 3/31/2005
FILE NAME = c:\projects\111700aa\111700aa.dwg
PLOT SCALE = 1/8" = 1'-0"
PLOT DEVICE = HPGL