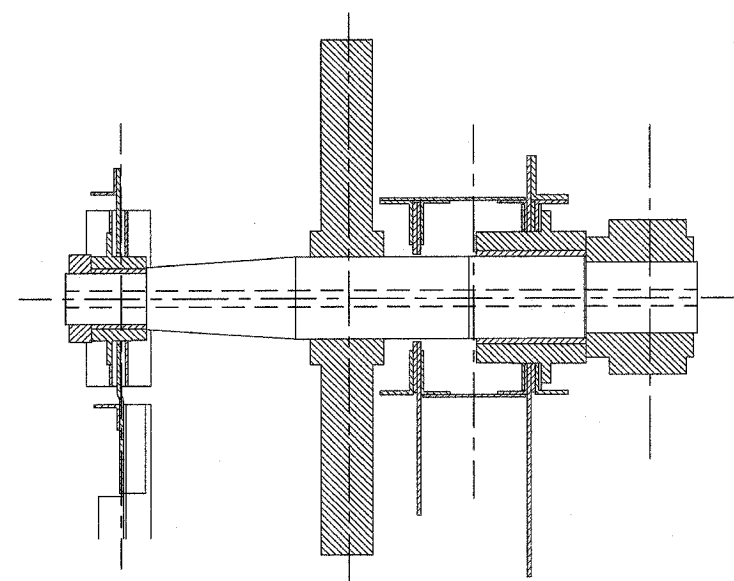
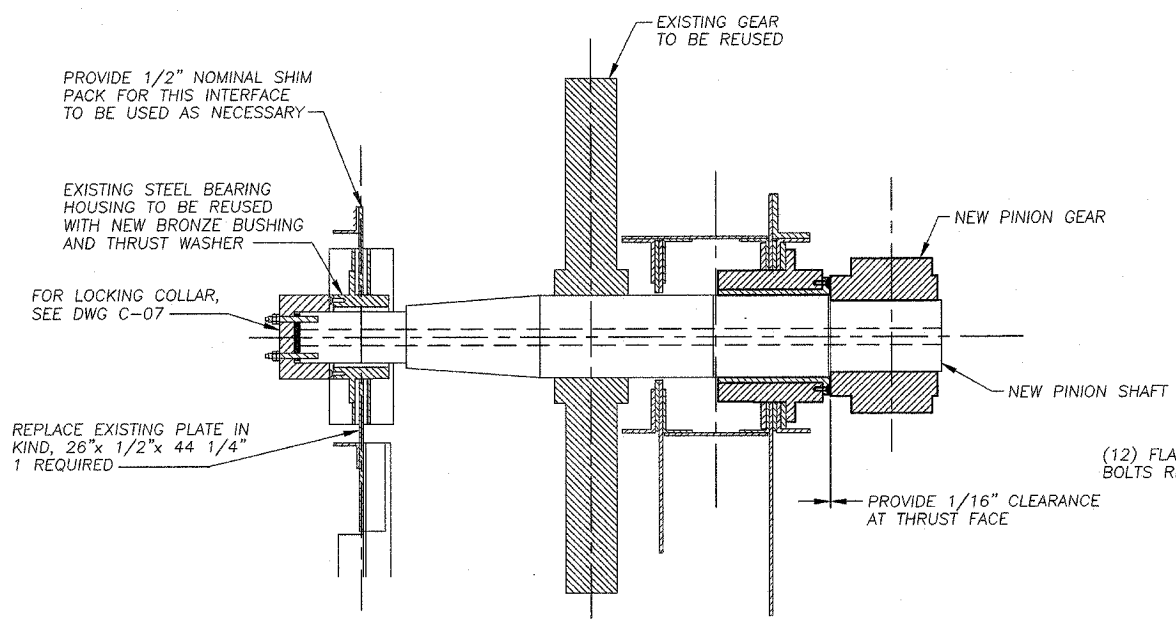


62859

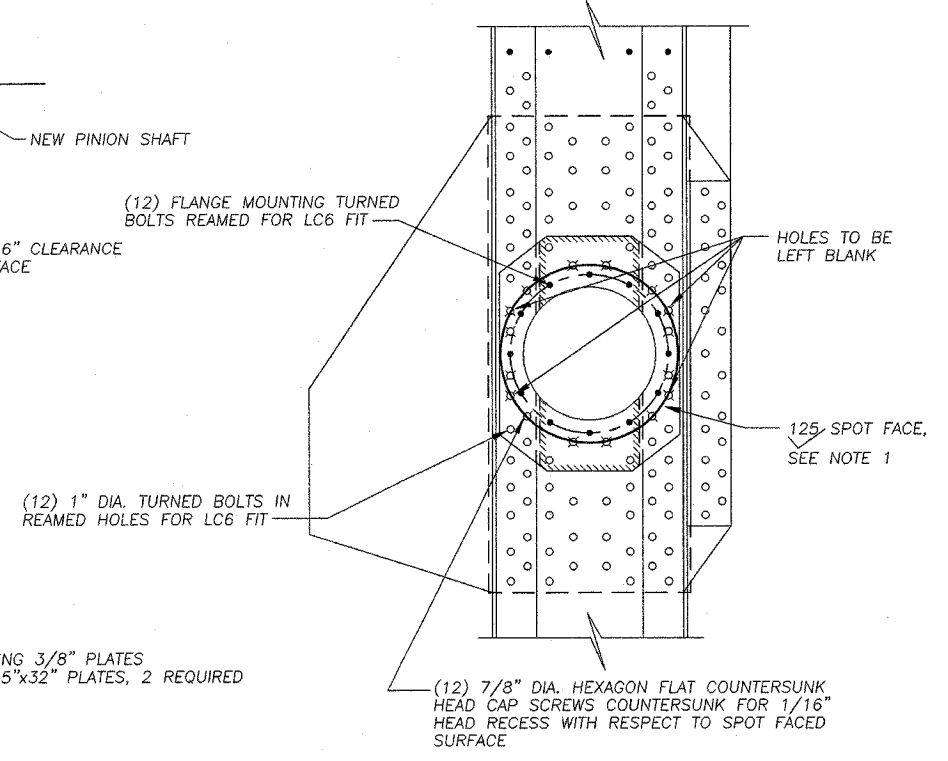
ROUTE NO.	SECT.	COUNTY	SHEET NO.	TOTAL SHEETS
FAP 607	G-R-1-4	WILL	8	10
FED. ROAD DIST. NO.		ILLINOIS	FED. AID PROJECT	



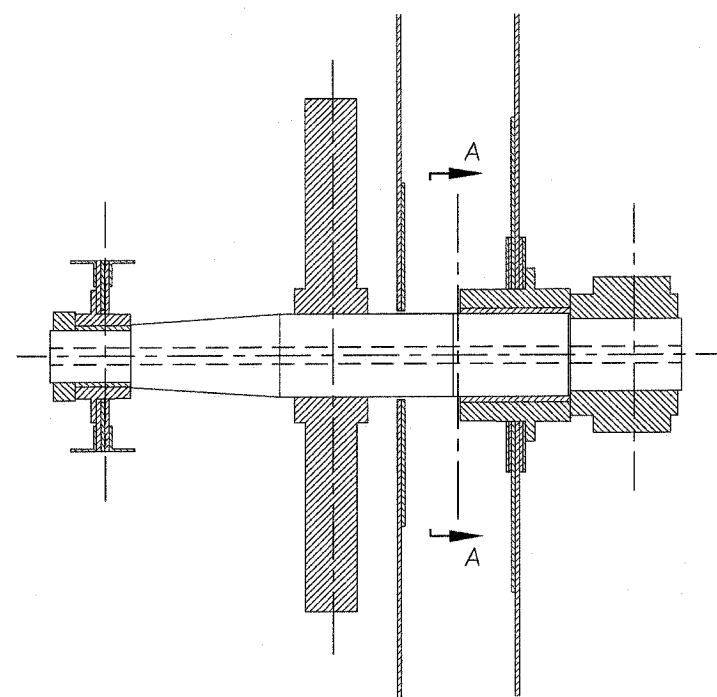
EXISTING PINION ASSEMBLY - PLAN
SCALE: 1" = 1'-0"



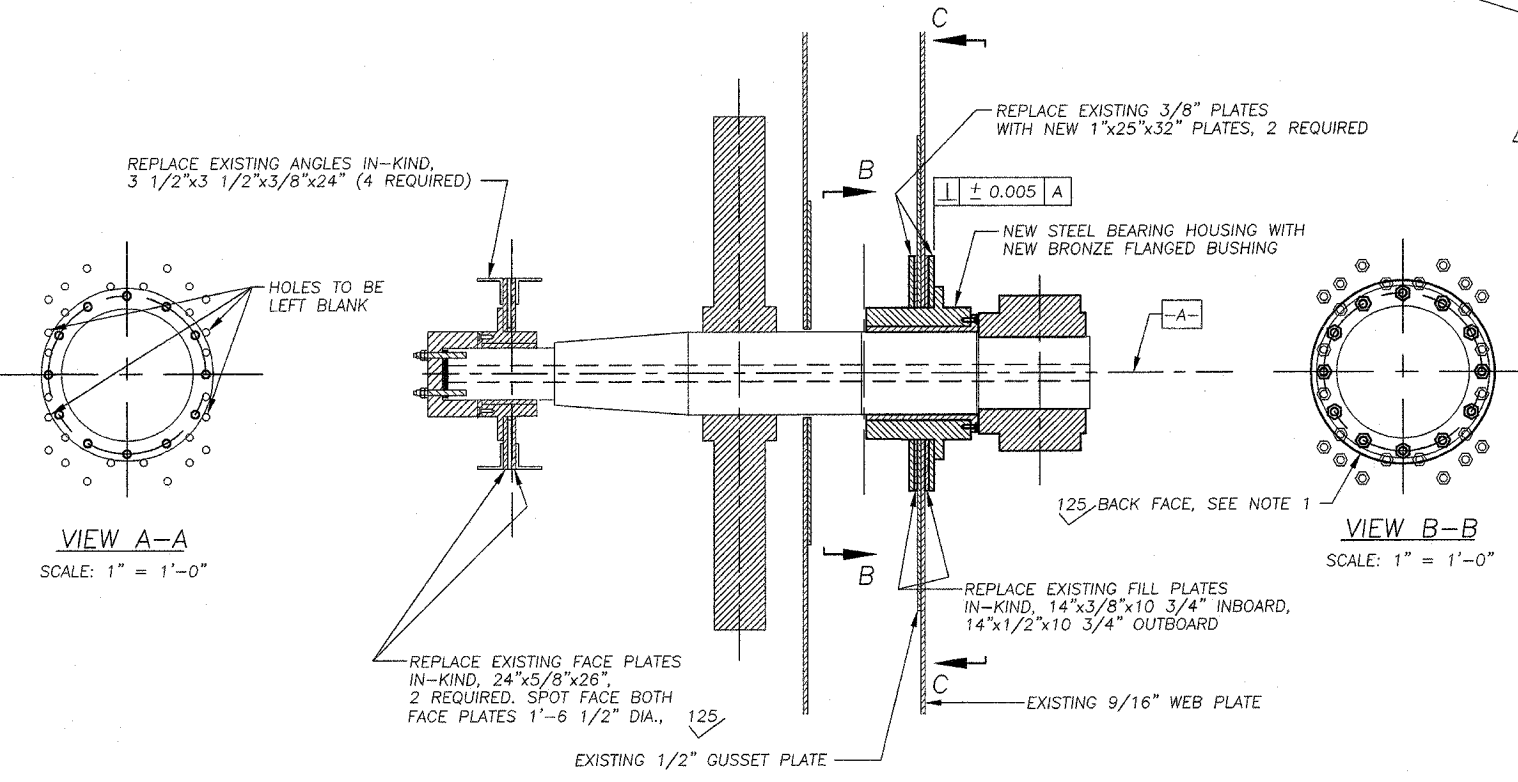
NEW PINION ASSEMBLY - PLAN
SCALE: 1" = 1'-0"



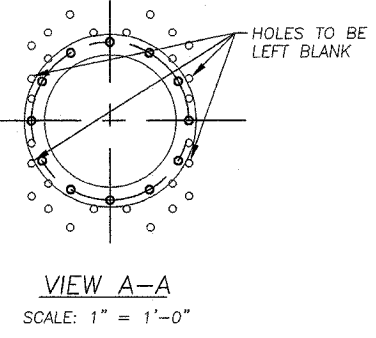
VIEW C-C
SCALE: 1" = 1'-0"



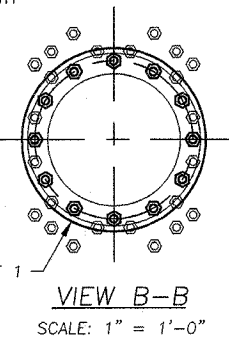
EXISTING PINION ASSEMBLY - ELEVATION
SCALE: 1" = 1'-0"



NEW PINION ASSEMBLY - ELEVATION
(ANGLES NOT SHOWN FOR CLARITY)
SCALE: 1" = 1'-0"



VIEW A-A
SCALE: 1" = 1'-0"



VIEW B-B
SCALE: 1" = 1'-0"

- NOTES:
- CONTRACTOR SHALL SPOT AND BACK FACE NEW 1" STRUCTURAL PLATES FOR THE MAXIMUM DIAMETER CENTERED ON THE NEW LINE BORE WHICH CLEARS THE EXISTING ADJACENT ANGLES.
 - SOLID BRONZE BEARING OPTION SHOWN ON DRAWING C-07.

REVISION	DATE	DESCRIPTION
STATE OF ILLINOIS DEPARTMENT OF TRANSPORTATION		
NEW PINION ASSEMBLY		
CASS STREET BRIDGE OVER DESPLAINES RIVER U.S. 30 (WESTBOUND) CITY OF JOLIET, WILL COUNTY STRUCTURE NUMBER 099-0101		
MODJESKI AND MASTERS, INC. HARRISBURG, PENNSYLVANIA		
DRAWING NO. C-06	SCALE	DATE 7-10-2002
		SHEET NO. 6 OF 7

Designed by: JWN
Checked by: LRL
Drafted by: TD,ES
Checked by: JWN