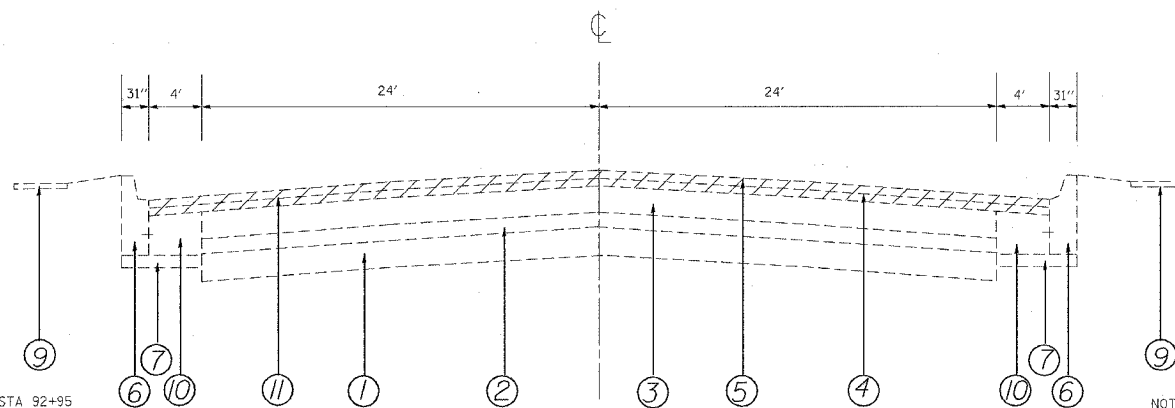


F.A.U. NO.	SECTION	COUNTY	TOTAL SHEETS	SHEET NO.
3578	1314 RS-3	COOK	23	5
STA. _____		TO STA. _____		
FED. ROAD DIST. NO. 1		ILLINOIS FED. AID PROJECT		

CONTRACT 62673



NOTE: PCC SIDEWALK ENDS AT STA 92+95  
PCC SIDEWALK BEGINS AT STA 96+09  
PCC SIDEWALK ENDS AT STA 98+80  
PCC SIDEWALK BEGINS AT STA 14+10  
PCC SIDEWALK ENDS AT STA 15+35

EXISTING TYPICAL CROSS-SECTION  
SOUTHWEST HWY  
STA 84+08 TO STA 126+17.5

NOTE: PCC SIDEWALK ENDS AT STA 84+25  
PCC SIDEWALK BEGINS AT STA 105+46  
PCC SIDEWALK ENDS AT STA 106+36  
PCC SIDEWALK BEGINS AT STA 107+56  
PCC SIDEWALK ENDS AT STA 11+08  
PCC SIDEWALK BEGINS AT STA 125+38  
PCC SIDEWALK ENDS AT STA 126+17.5

### LEGEND

- ① EXISTING PCC PAVEMENT (9'-7")
- ② EXISTING BITUMINOUS RESURFACING + 3"
- ③ EXISTING BITUMINOUS AGGREGATE MIXTURE (6" OVERLAY)
- ④ EXISTING BITUMINOUS CONCRETE BINDER COURSE (1 1/2")
- ⑤ EXISTING BITUMINOUS CONCRETE SURFACE COURSE CLASS 1 (1 1/2")
- ⑥ EXISTING COMBINATION CURB AND GUTTER TYPE B-6.24
- ⑦ EXISTING SUB-BASE GRANULAR MATERIAL, TYPE A (6")
- ⑧ EXISTING CORRUGATED MEDIAN
- ⑨ EXISTING PCC SIDEWALK
- ⑩ EXISTING PCC BASE COURSE WIDENING (9")
- ⑪ PROPOSED BITUMINOUS SURFACE REMOVAL (2 1/2")
- ⑫ PROPOSED POLYMERIZED LEVELING BINDER (MACHINE METHOD) SUPERPAVE, IL-4.75, N50 (3/4")
- ⑬ PROPOSED POLYMERIZED BIT. CONCRETE SURFACE COURSE, SUPERPAVE, MIX "F", N90 (1 3/4")

REVISIONS	
NAME	DATE

ILLINOIS DEPARTMENT OF TRANSPORTATION

### TYPICAL SECTIONS

SCALE: VERT. NTS  
HORIZ.  
DATE 3/28/2005

DRAWN BY  
CHECKED BY

3/28/2005 11:43 AM 103604.dwg