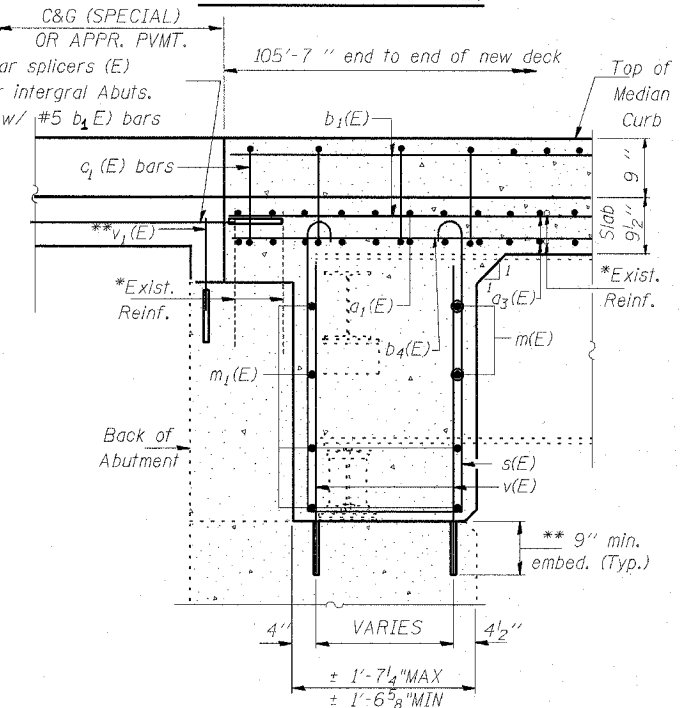
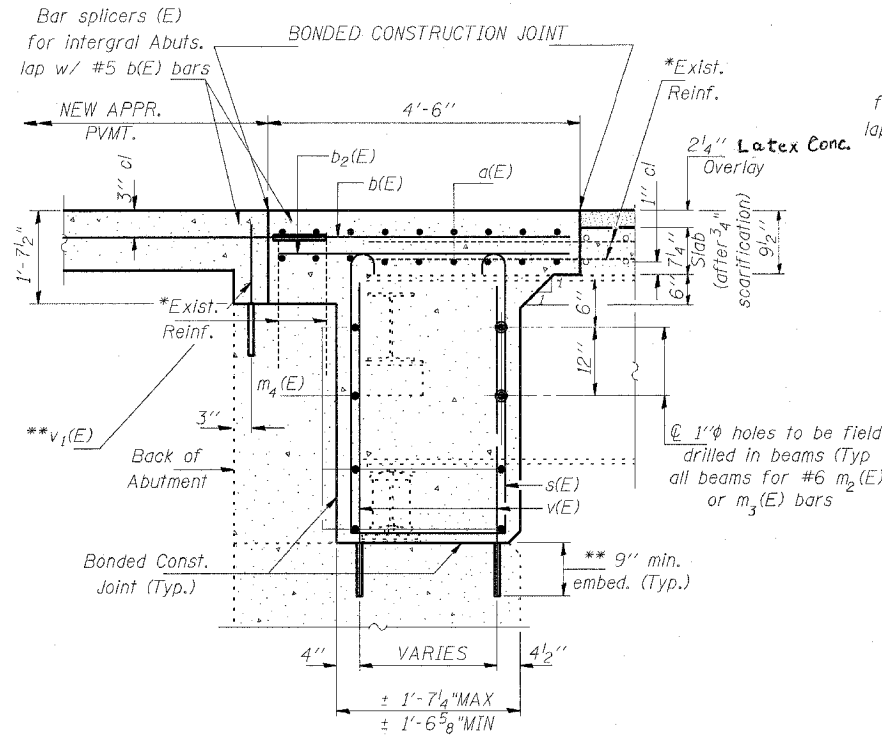
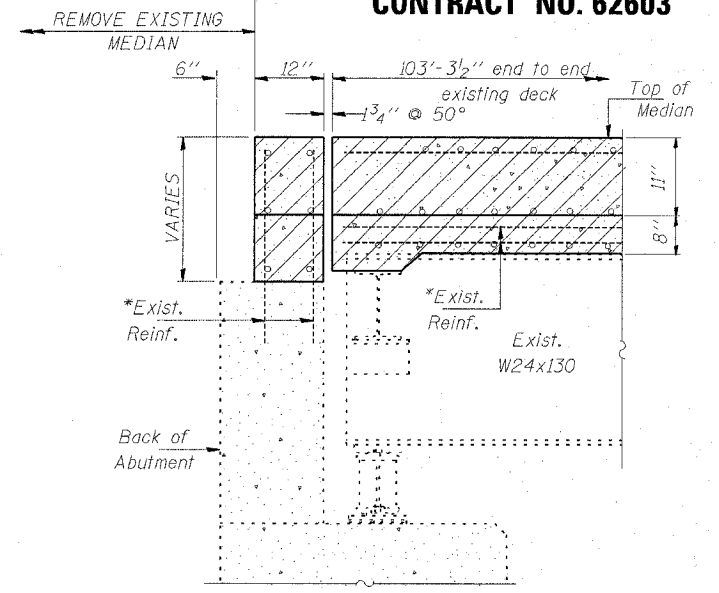
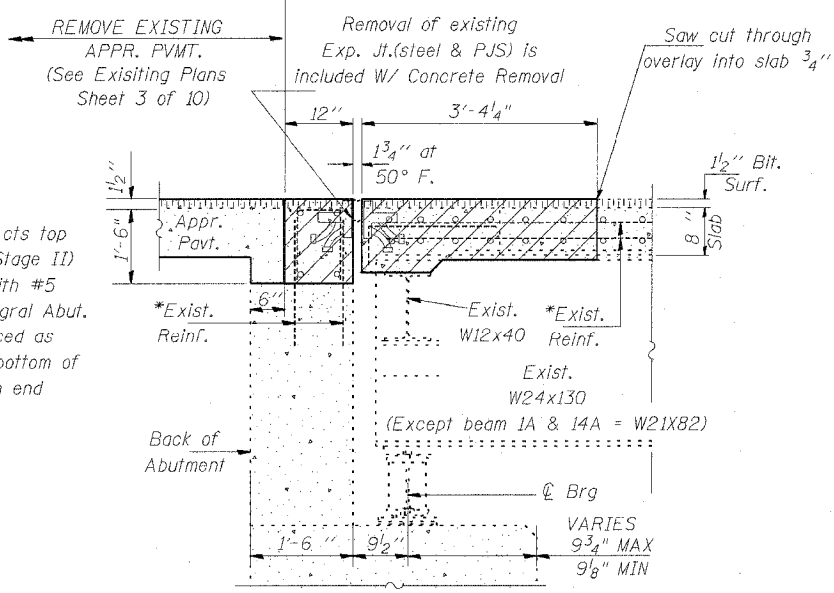
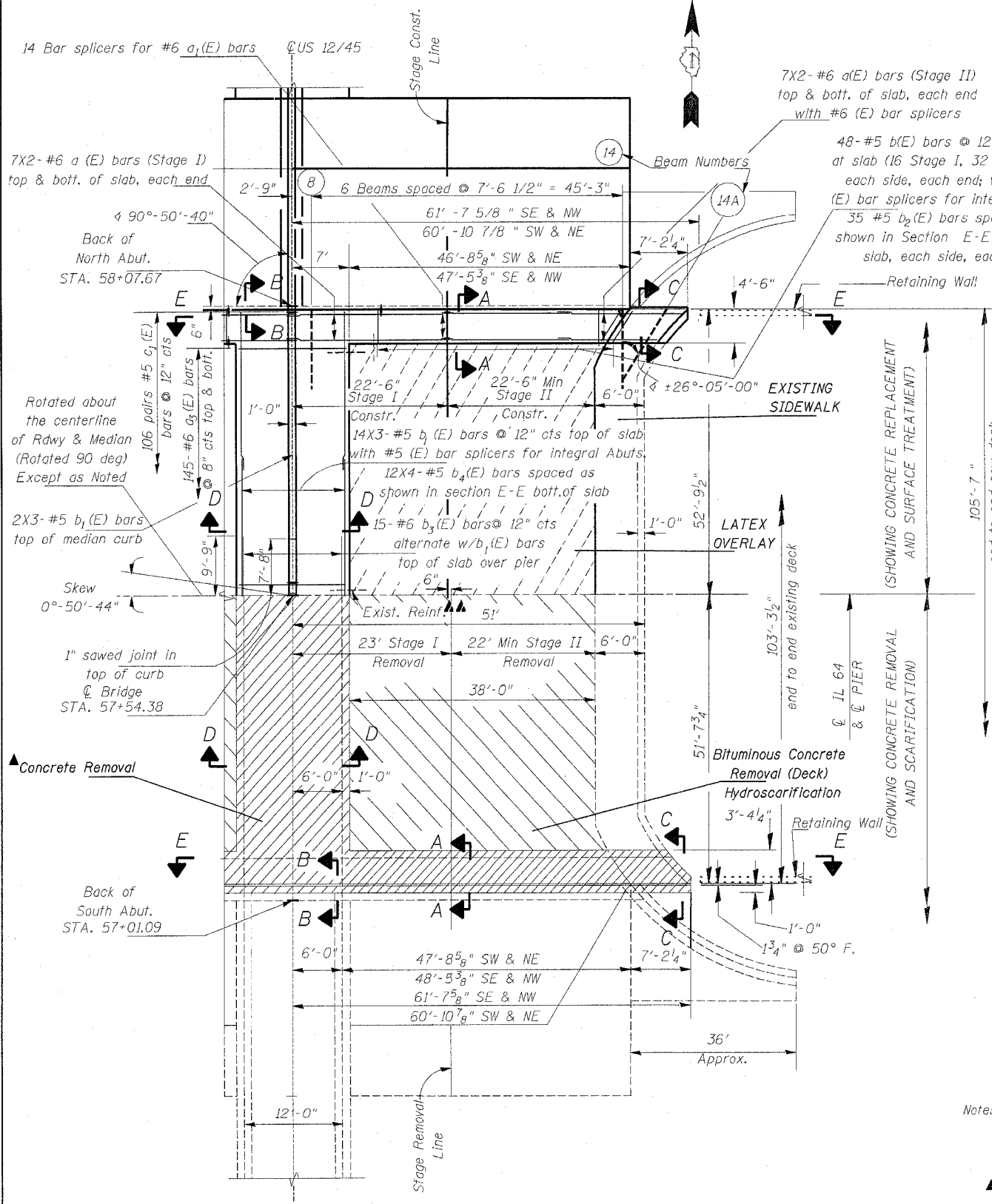


**CONTRACT NO. 62603**



Notes: See Sheet 7 of 11 for Sections C-C & D-D, Bar Details. See Sheet 7 of 11 for Bill of Material. See Sheet 8 of 11 for Section E-E.

▲ Any bituminous removed over the Concrete Removal area is included in the cost of "Concrete Removal".

▲▲ 3'-0" existing reinforcement to extend into removal area.

\* Existing reinforcement bars extending into the removal area shall be cleaned, straightened and incorporated into the new construction.

\*\* Epoxy grout #5v(E) & v<sub>1</sub>(E) bars in 7/8" φ drilled holes. See Std. Specs. Cost included with Reinforcement Bars, Epoxy Coated.

For Bar Splicer details, see sheet 9 of 10.

REVISIONS		ILLINOIS DEPARTMENT OF TRANSPORTATION
NAME	DATE	
		BRIDGE PLAN LOC 1: US 12/ 45 OVER IL 64 SN 016-0336  SCALE: VERT.      DRAWN BY HORIZ.              CHECKED BY DATE 4/16/2005