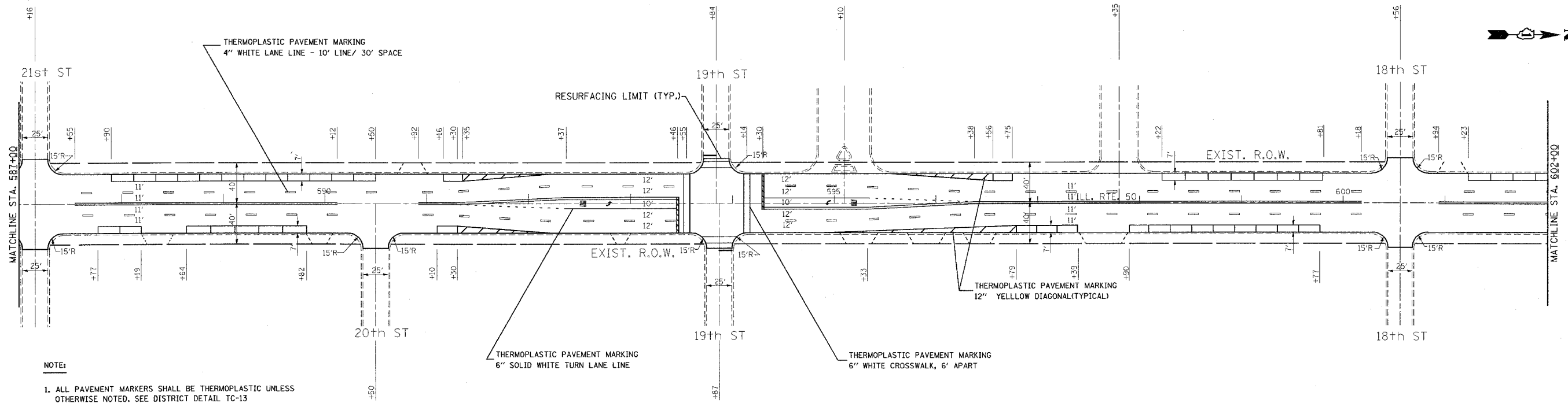


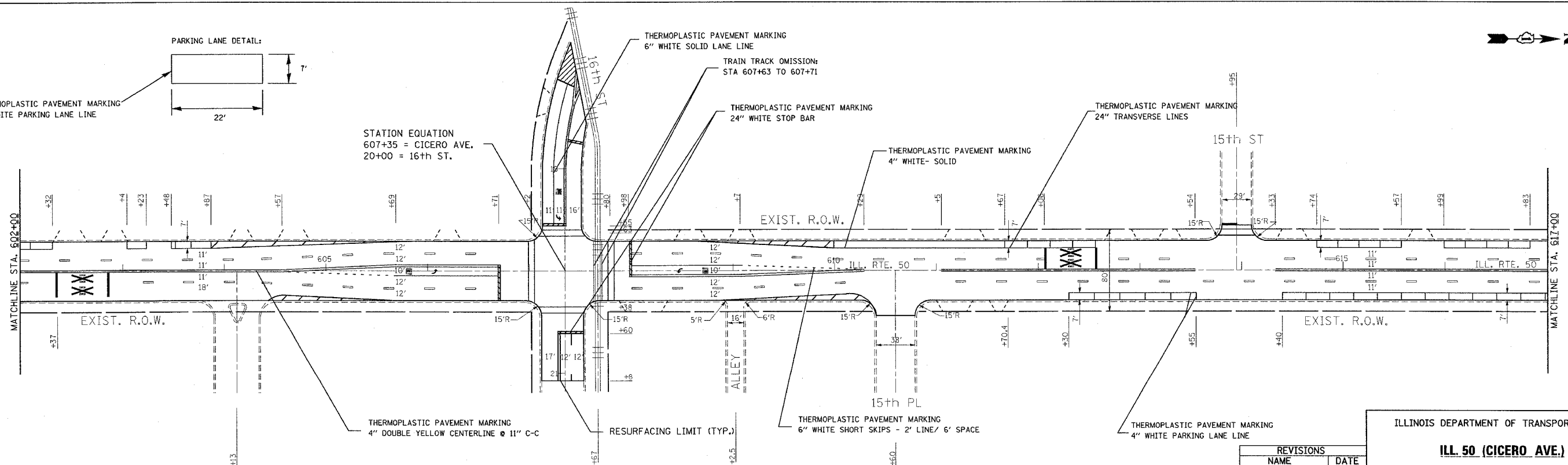
62430

SECTION	COUNTY	TOTAL SHEETS	SHEET NO.
350	COOK	24	6
STA. 587+00 TO STA. 617+00			
FED. ROAD DIST. NO. 1	ILLINOIS	FED. AID PROJECT	

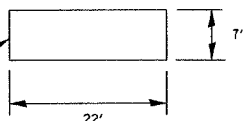


NOTE:

1. ALL PAVEMENT MARKERS SHALL BE THERMOPLASTIC UNLESS OTHERWISE NOTED. SEE DISTRICT DETAIL TC-13
2. RAISED REFLECTIVE PAVEMENT MARKERS SHALL BE USED THROUGHOUT THE IMPROVEMENT LIMITS. DOUBLE LANE LINE MARKERS SHALL BE INSTALLED. SEE DISTRICT DETAIL TC-11



PARKING LANE DETAIL:



THERMOPLASTIC PAVEMENT MARKING
4\"/>

STATION EQUATION
607+35 = CICERO AVE.
20+00 = 16th ST.

REVISIONS	
NAME	DATE

ILLINOIS DEPARTMENT OF TRANSPORTATION
ILL. 50 (CICERO AVE.)
PROPOSED ROADWAY PLANS

SCALE: VERT. 1"=50'
DATE 4/6/2005

DRAWN BY
CHECKED BY

4/6/2005
C:\p\projects\14902\14902.dwg
REF

I:\L1\JHE\100 027\1001\6000