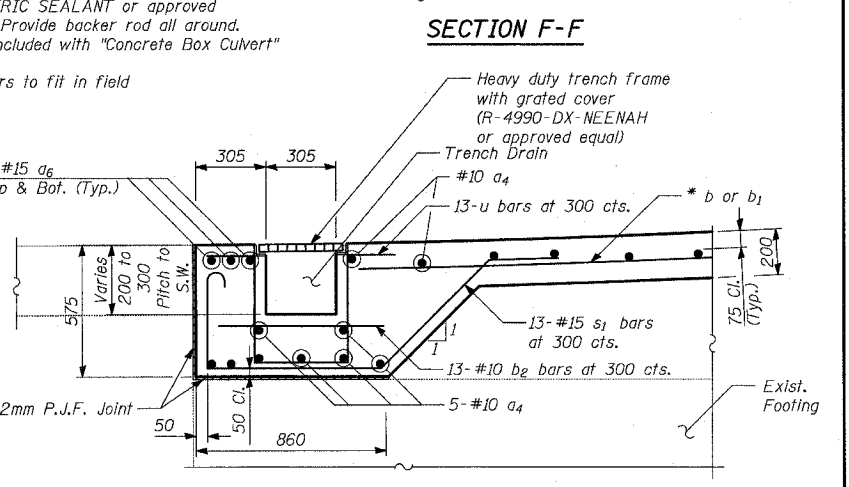
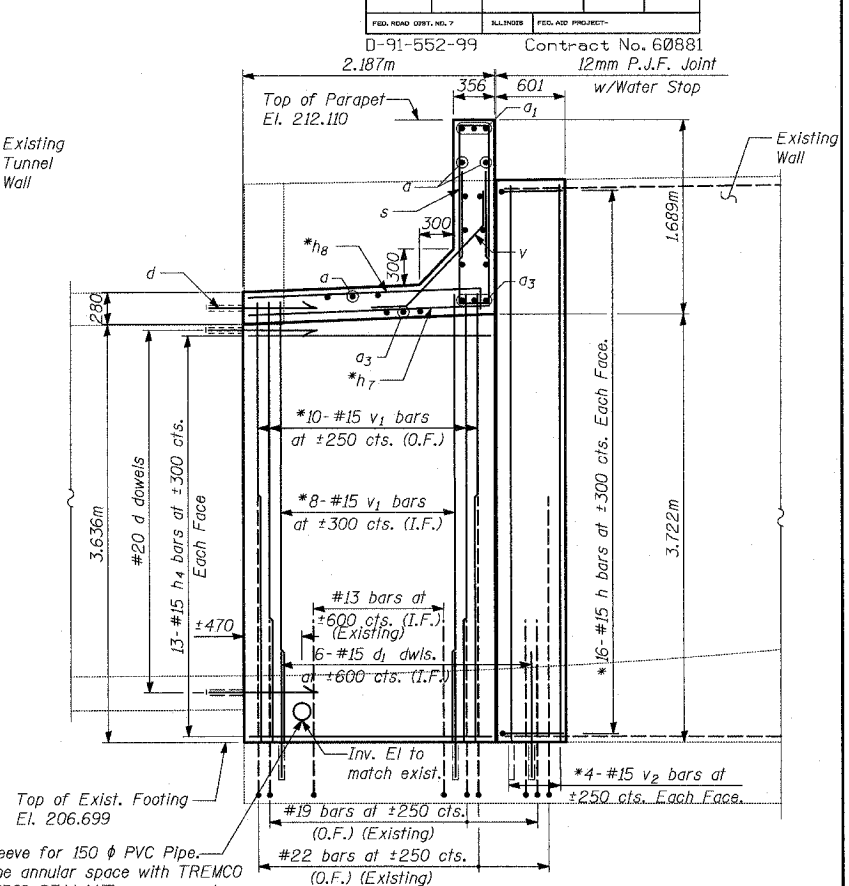
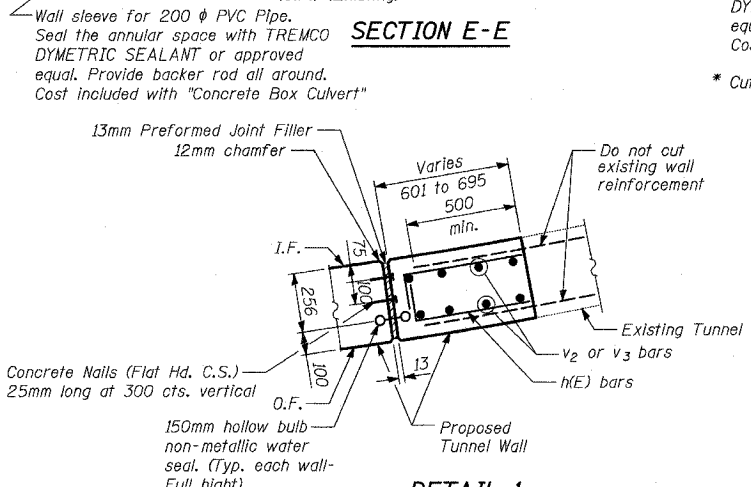
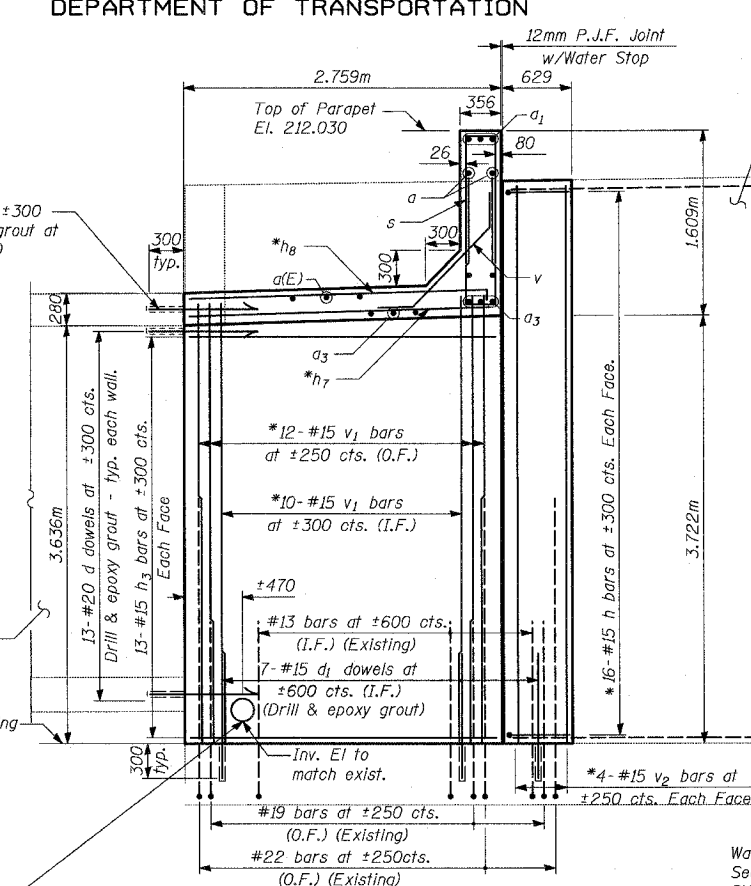
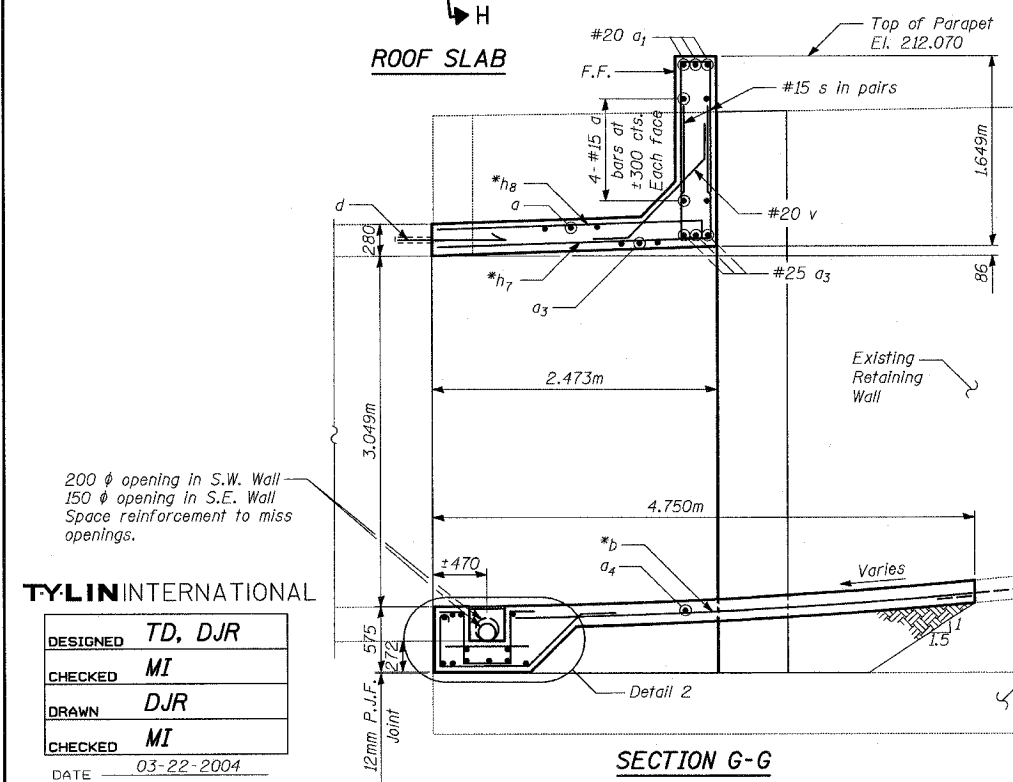
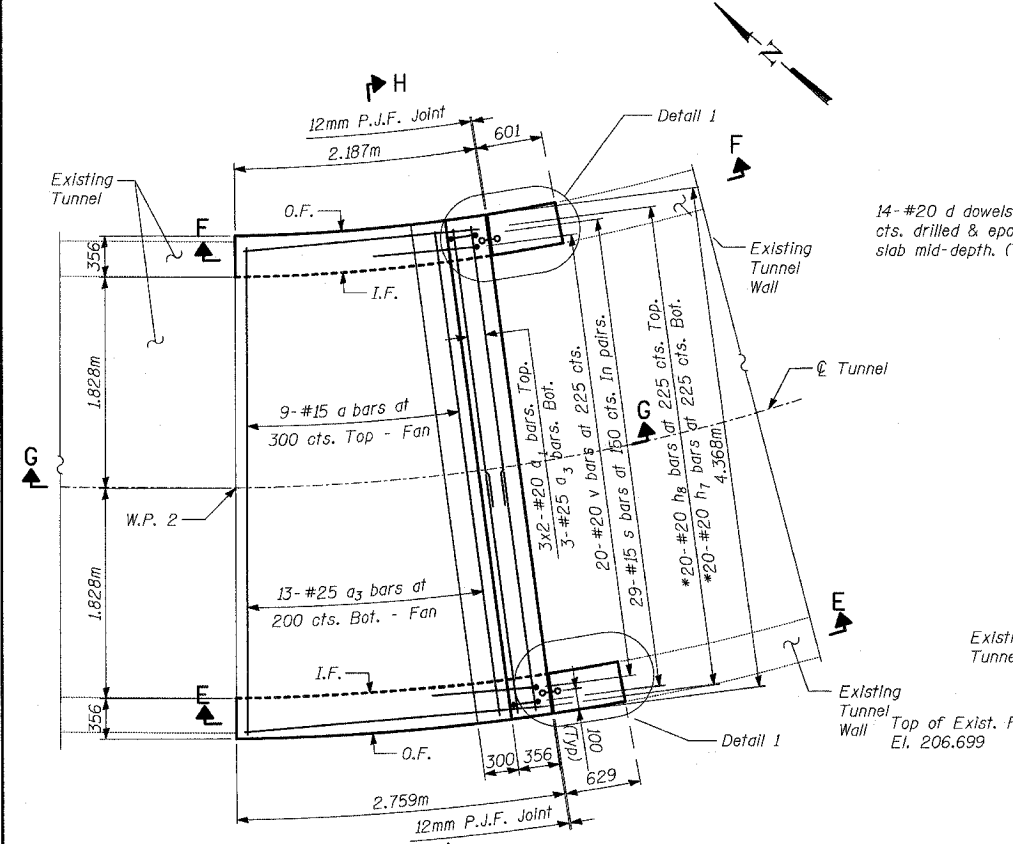


STATE OF ILLINOIS
DEPARTMENT OF TRANSPORTATION

FAP	SECTION	COUNTY	ROUTE	POST MILE	SHEET NO.
337	20R-5	LAKE	562	439	7 SHEETS

D-91-552-99 Contract No. 60881
12mm P.J.F. Joint w/Water Stop



TYLINTERNATIONAL

DESIGNED	TD, DJR
CHECKED	MI
DRAWN	DJR
CHECKED	MI

DATE 03-22-2004

- NOTES**
- For Notes and Legend, See Sheet 3.
 - Notch formed by rough finished board attached to and removed with form work.
 - For Section H-H, See Sheet 5.

TUNNEL EXTENSION SOUTH

IL ROUTE 22 OVER
PEDESTRIAN TUNNEL EXTENSION
FAP 337 SECTION 20R-5
LAKE COUNTY
STA. 101+613.705
S.N. 049-T017