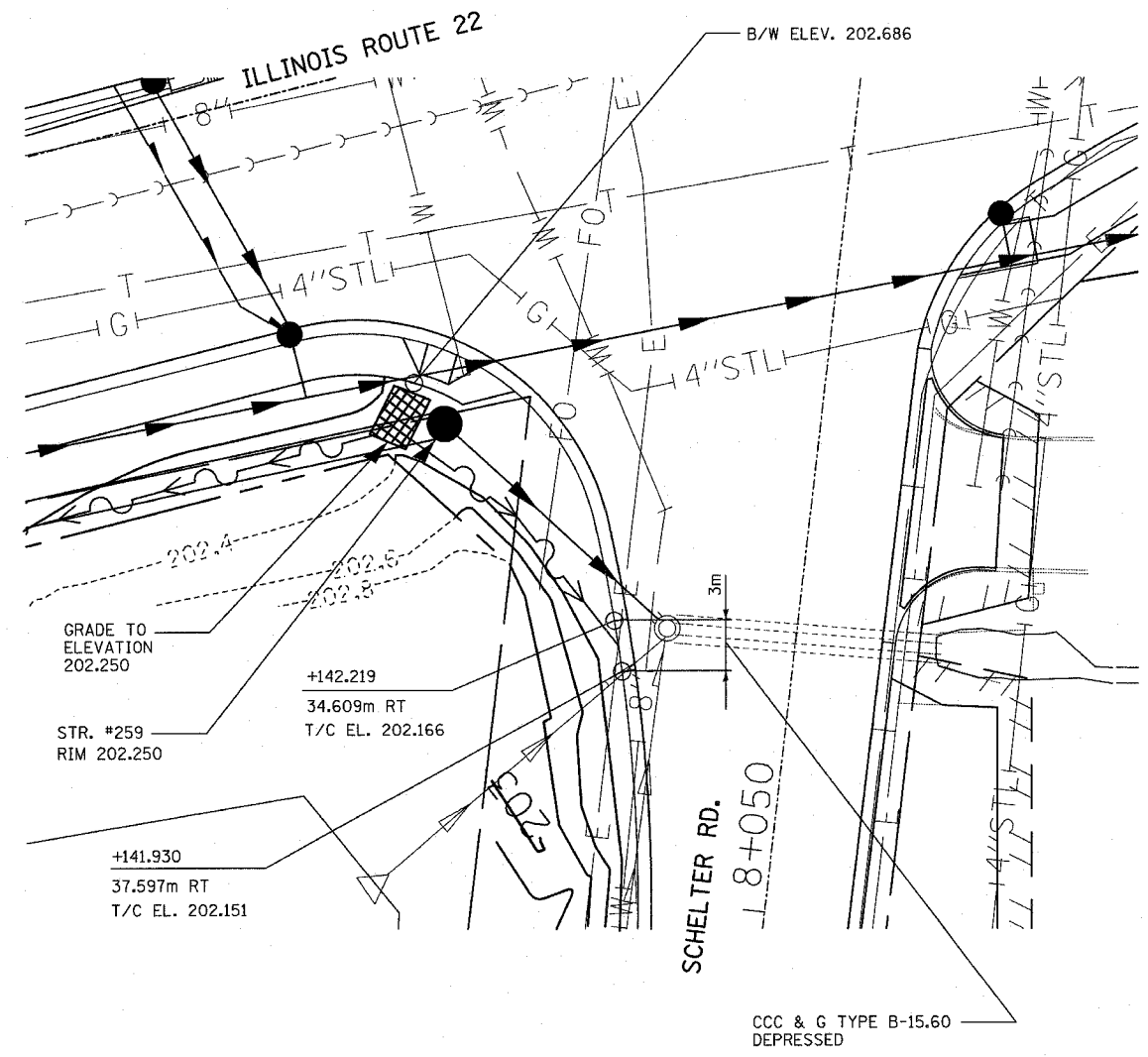


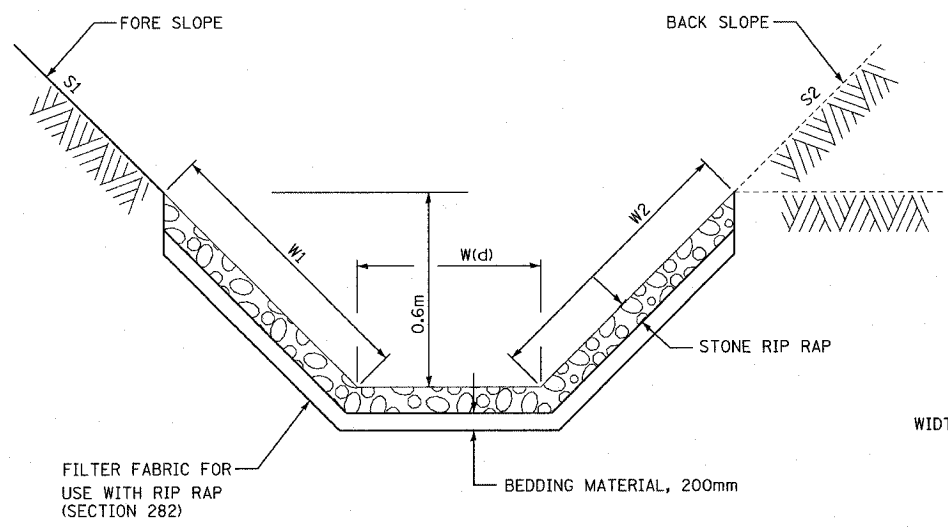
F.A.P. RTE.	SECTION	COUNTY	TOTAL SHEETS	SHEET NO.
337	20R-5	LAKE	562	232
STA.		TO STA.		
FED. ROAD DIST. NO.		ILLINOIS	FED. AID PROJECT	
D-91-552-99		60881		

FINAL SURVEY PLOTTED	BY	DATE
NOTE BOOK TEMPLATE		
AREAS CHECKED		
NO.		

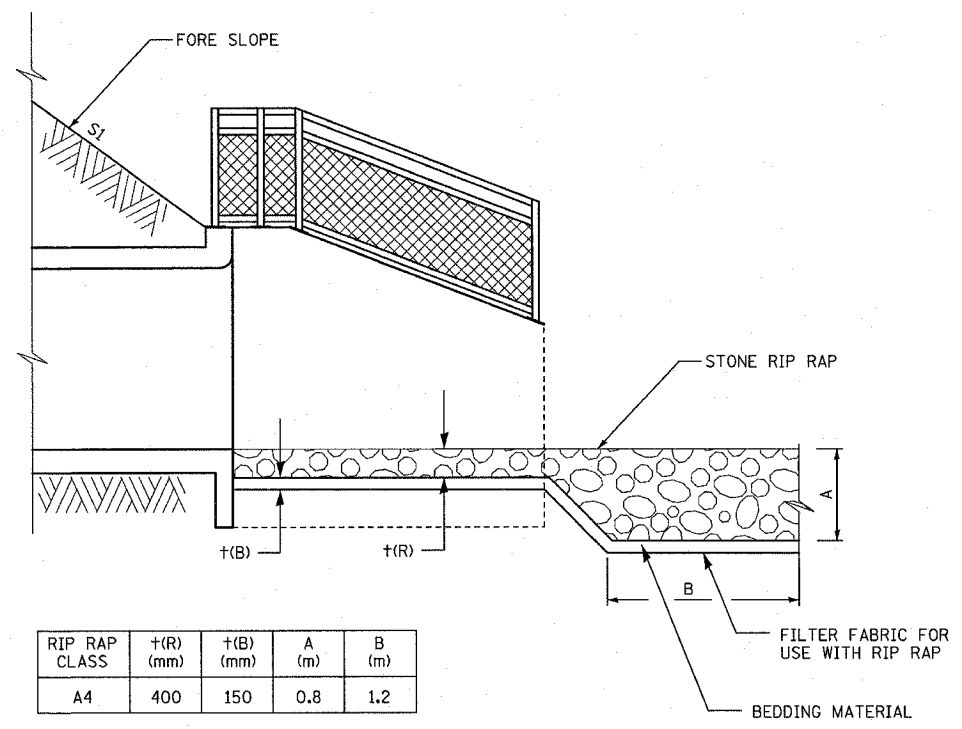
ORIGINAL SURVEY PLOTTED	BY	DATE
NOTE BOOK TEMPLATE		
AREAS CHECKED		
NO.		



GRADING DETAIL AT STA. 104+132.568, RT



CASE 1  
RIP RAP DITCH DETAIL



RIP RAP CLASS	t(R) (mm)	t(B) (mm)	A (m)	B (m)
A4	400	150	0.8	1.2

CASE 2  
RIP RAP DETAIL

REVISIONS		ILLINOIS DEPARTMENT OF TRANSPORTATION IL RTE 22 (FAP 337) IL RTE 83 TO US 45 / IL 21 (MILWAUKEE AVE)  DRAINAGE AND STONE RIP RAP DETAILS
NAME	DATE	
		SCALE: 1:200
		DATE: 03-22-2004
		DRAWN BY: MB
		CHECKED BY: DAJ