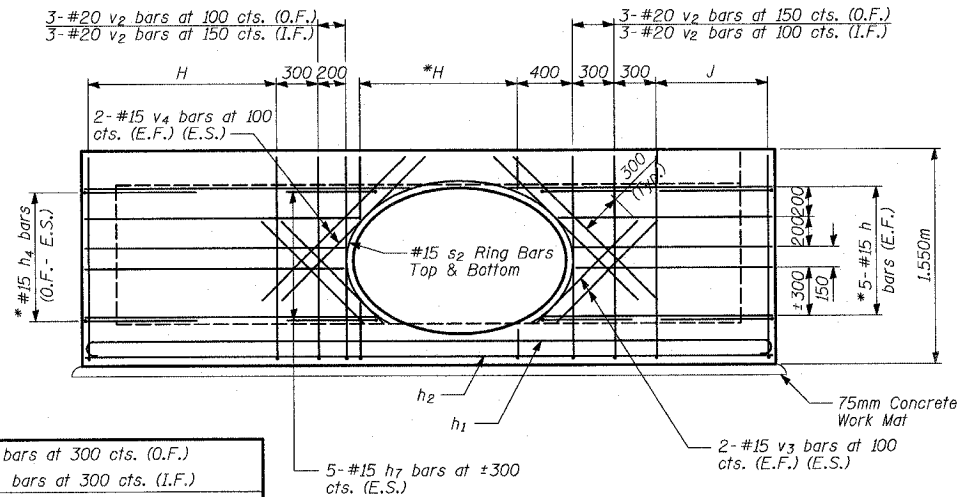


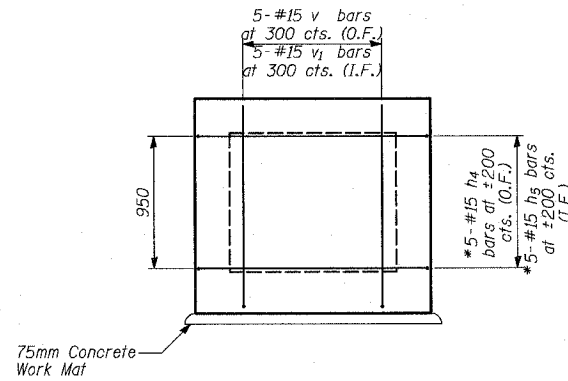
STATE OF ILLINOIS
DEPARTMENT OF TRANSPORTATION

FAP	SECTION	COUNTY	TOTAL SHEETS	SHEET	SHEET NO. 3 3 SHEETS
937	20R-5	LAKE	562	218	
FED. ROAD DIST. NO. 7		ILLINOIS	FED. AID PROJECT		
0-91-552-99		Contract No. 60881			

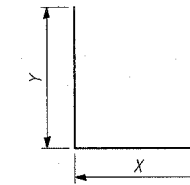


H	5-#15 v bars at 300 cts. (O.F.) 5-#15 v1 bars at 300 cts. (I.F.)
J	4-#15 v bars at 300 cts. (O.F.) 4-#15 v1 bars at 300 cts. (I.F.)

SECTION E-E

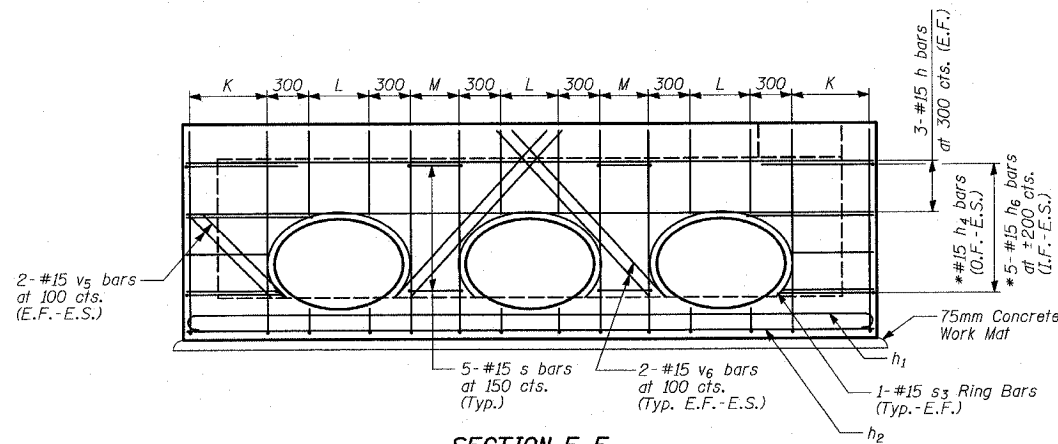


SECTION G-G

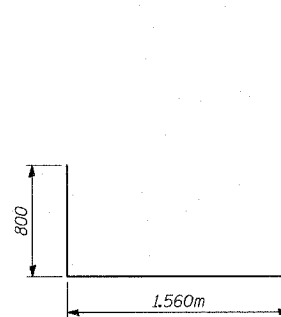


BARS v, v1 & v2

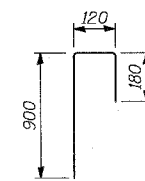
Bar	Y	X
v	1.42m	650
v1	1.42m	260
v2	1.42m	700



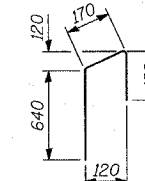
SECTION F-F



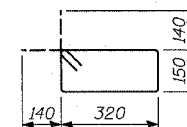
BAR h4



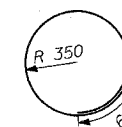
BAR h6



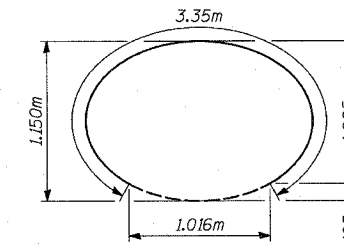
BAR h7



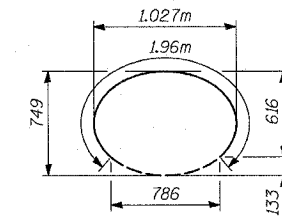
BAR s



BAR s1



BAR s2



BAR s3

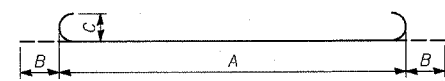
NOTES:

Reinforcement bar clearance to be 50mm unless otherwise noted.

E.F. - denotes Each Face
E.S. - denotes Each Side
I.F. - denotes Inside Face
O.F. - denotes Outside Face

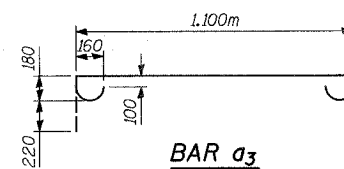
* Cut bars to fit in field

K	3-#20 v2 bars at 280 cts. (E.F.)
L	*2-#15 v bars at 200 cts. (O.F.) *2-#15 v1 bars at 200 cts. (I.F.)
M	3-#20 v2 bars at 150 cts. (E.F.)

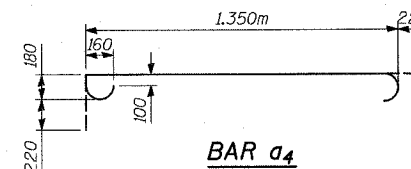


BARS a1, h1 & h3

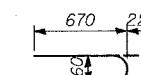
Bar	A	B	C
a1	1.60m	220	160
h1	4.90m	220	160
h3	4.90m	180	130



BAR a3



BAR a4



BAR a5

TYLIN INTERNATIONAL

DESIGNED	MI, MAF
CHECKED	TD
DRAWN	MAF, BK
CHECKED	TD
DATE	03-22-2004

DETAILS 2

JUNCTION CHAMBER 2
STA. 103+408.310
IL ROUTE 22
FAP 337 SECTION 20R-5
IL RTE 83 TO US 45/IL 21
LAKE COUNTY