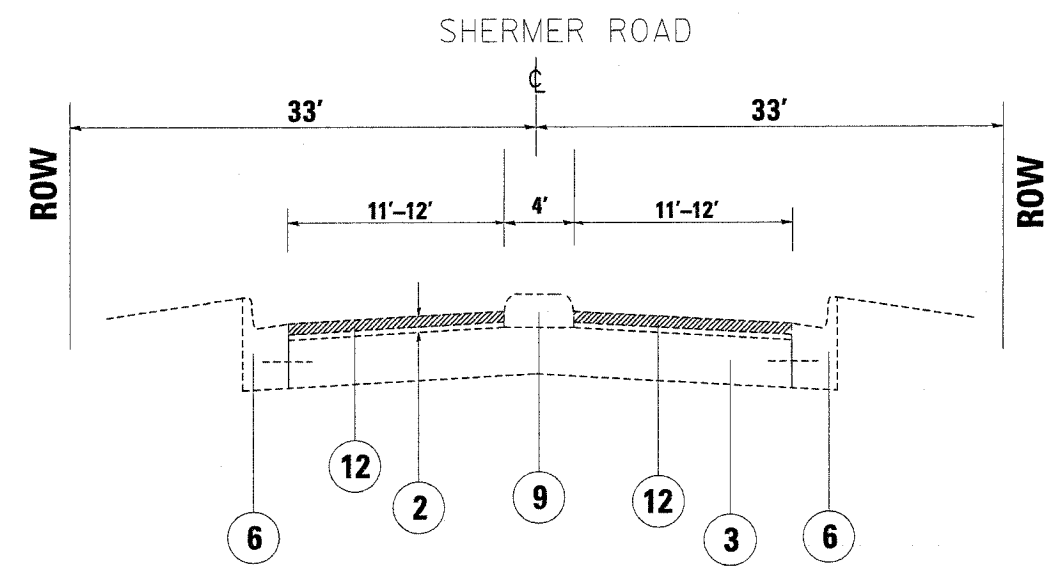
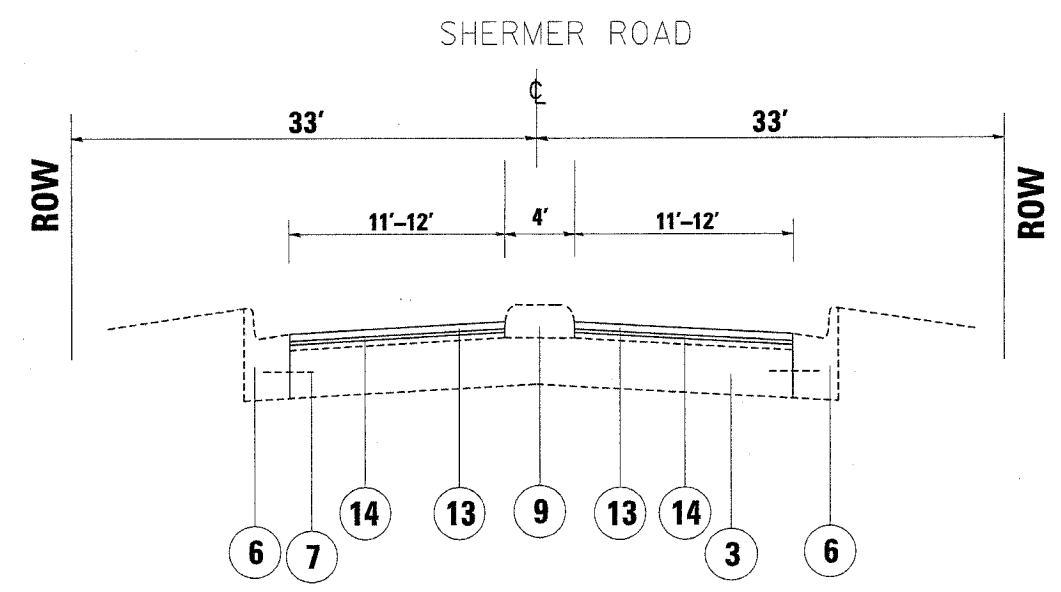


F.A. RTE.	SECTION	COUNTY	TOTAL SHEETS	SHEET NO.
	1316RS-1	COOK	22	5
FED. ROAD DIST. NO.	ILLINOIS	FED. AID PROJECT		

CONTRACT NO. 60754



EXISTING TYPICAL CROSS SECTION
STA. 36+10 TO 37+34



PROPOSED TYPICAL CROSS SECTION
STA. 36+10 TO 37+34

LEGEND

- ① EXISTING COMPACTED EARTH FILL
- ② EXISTING BITUMINOUS CONCRETE OVERLAY, +3"
- ③ EXISTING P.C.C. PAVEMENT, 9"
- ④ EXISTING SUB-BASE GRANULAR MATERIAL, TYPE A, 6"
- ⑤ EXISTING COMB. CONCRETE CURB & GUTTER, B.6-24
- ⑥ EXISTING COMB. CONCRETE CURB & GUTTER, B-6.12
- ⑦ EXISTING TIE BARS @ 2'-6" CENTERS
- ⑧ EXISTING CONCRETE MEDIAN SURFACE
- ⑨ EXISTING CONCRETE MEDIAN
- ⑩ EXISTING AGGREGATE SHOULDER
- ⑪ EXISTING CONCRETE CURB, TYPE BA
- ⑫ PROP. BITUMINOUS CONCRETE SURFACE REMOVAL, +- 2/4"
- ⑬ PROP. BITUMINOUS CONCRETE SURFACE COURSE, SUPERPAVE. MIX "D", N 70, 1 1/2"
- ⑭ PROP. POLYMERIZED LEVELING BINDER, (MACHINE METHOD), SUPERPAVE, IL - 4.75, N 50, 3/4"
- ⑮ PROP. AGGREGATE SHOULDERS, TYPE B

REVISIONS	
NAME	DATE

ILLINOIS DEPARTMENT OF TRANSPORTATION
SHERMER ROAD
WILLOW RD. TO OLD WILLOW RD.
EXISTING AND PROPOSED
TYPICAL SECTIONS

SCALE: VERT. DRAWN BY
 HORIZ. CHECKED BY
DATE 4/6/2005