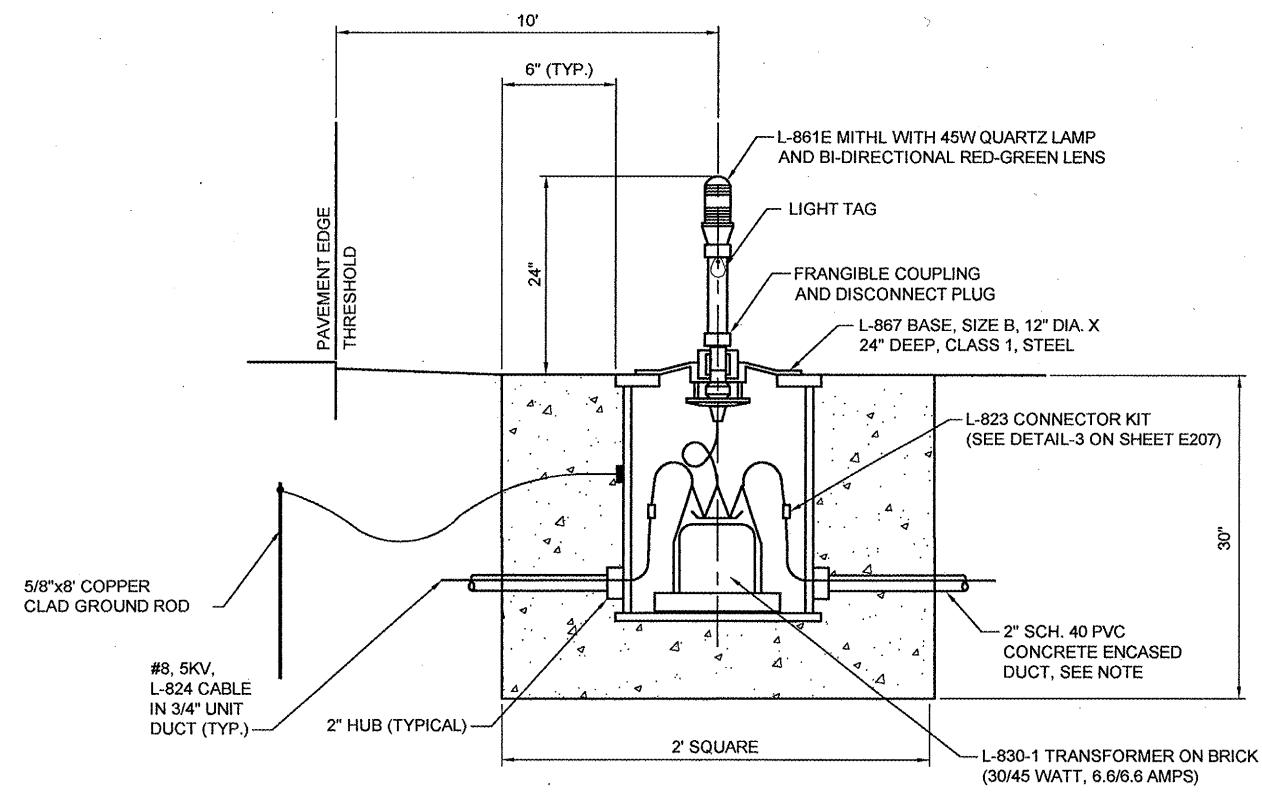
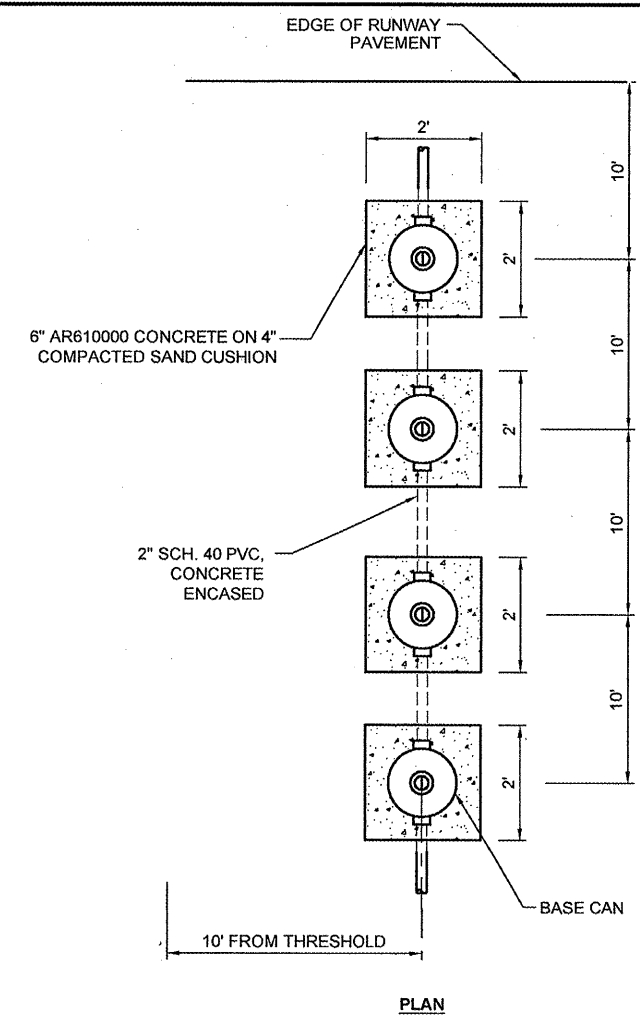


no.	date	by	ckd	description
0	04/25/08	BJQ	MAR	ISSUED FOR BID



ELEVATION

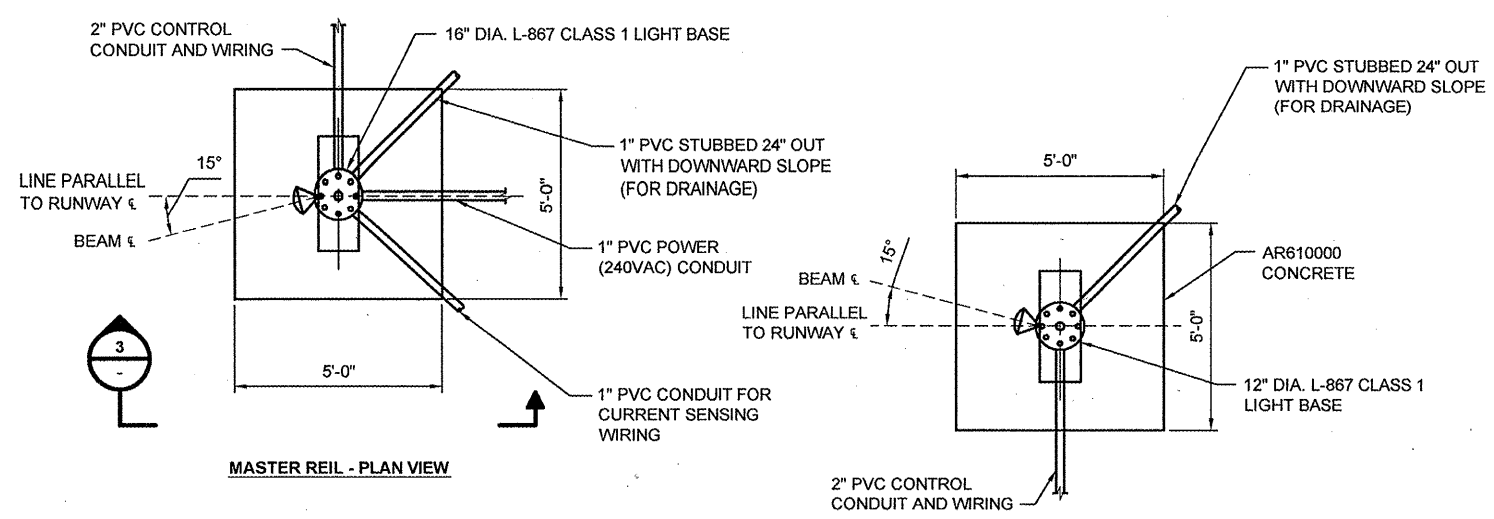
NOTE:
CONDUIT ALIGNMENT SHOWN ROTATED 90° FOR PURPOSE OF ILLUSTRATION.



PLAN

TYPICAL BASE MOUNTED THRESHOLD FIXTURE DETAIL

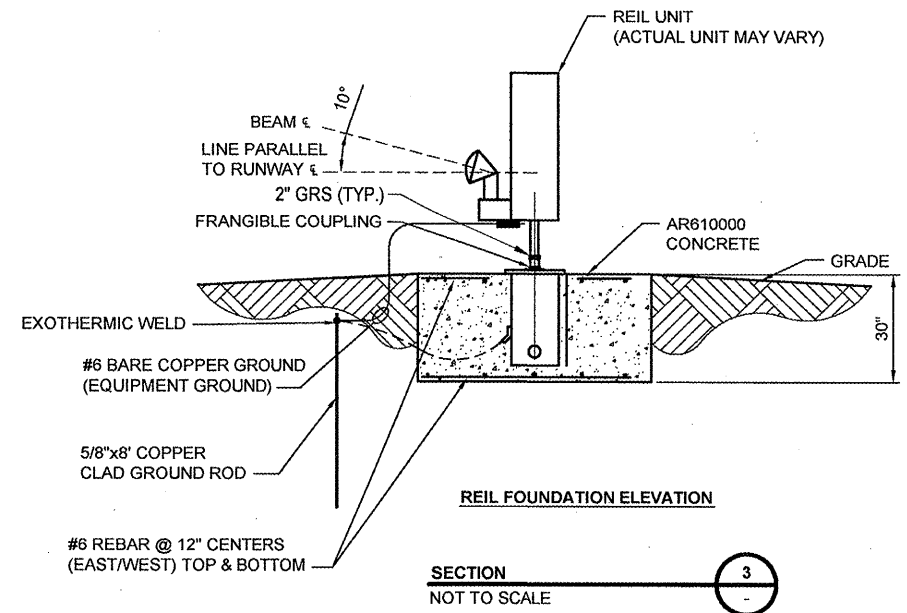
DETAIL 1
NOT TO SCALE
E102
E104



MASTER REIL - PLAN VIEW

SLAVE REIL - PLAN VIEW
NOT TO SCALE

DETAIL 2
NOT TO SCALE
E102
E104



REIL FOUNDATION ELEVATION

SECTION 3
NOT TO SCALE



date	02/13/08	detailed	L. TUCKER
designed	B. QUINLAN	checked	A. RAHMAN

RUNWAY 9/27 LIGHTING, NAVAIDS AND SIGNAGE; RUNWAY 18/36 WIND CONES AND SIGNAGE

ELECTRICAL DETAILS 5

project	contract
drawing	rev.
E205	0
sheet 19 of 21 sheets	file 47463E205.dwg

Scale For Microlining
Millimeters
Inches

COPYRIGHT © 2008 BURNS & MCDONNELL ENGINEERING COMPANY, INC.