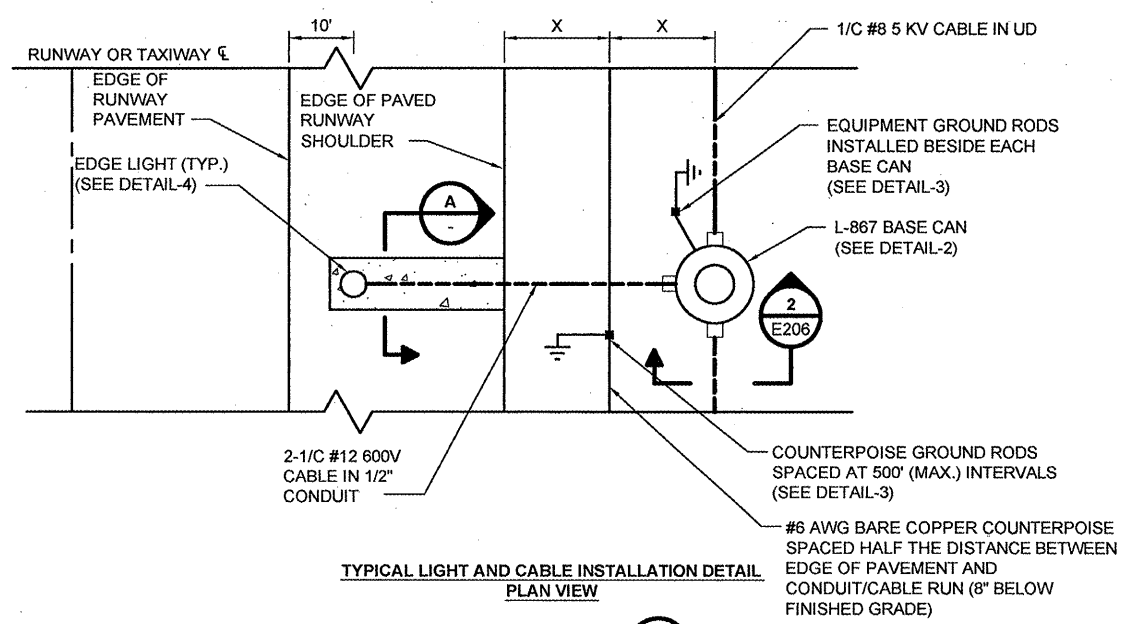
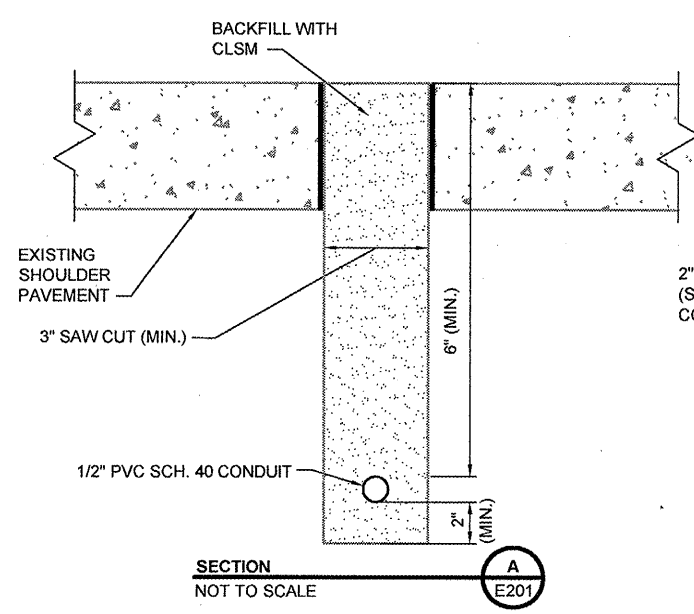


no.	date	by	ckd	description
0	04/25/08	BJQ	MAR	ISSUED FOR BID

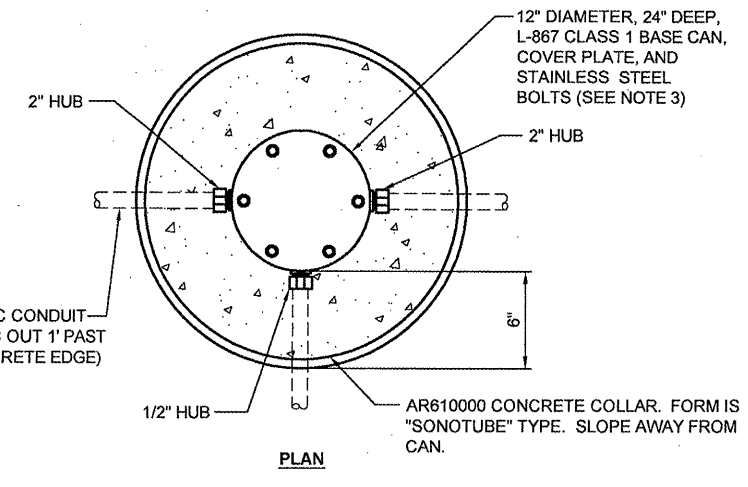


TYPICAL LIGHT AND CABLE INSTALLATION DETAIL
PLAN VIEW

DETAIL 1
NOT TO SCALE
E102
E103
E104

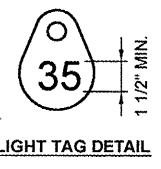


SECTION
NOT TO SCALE
A
E201



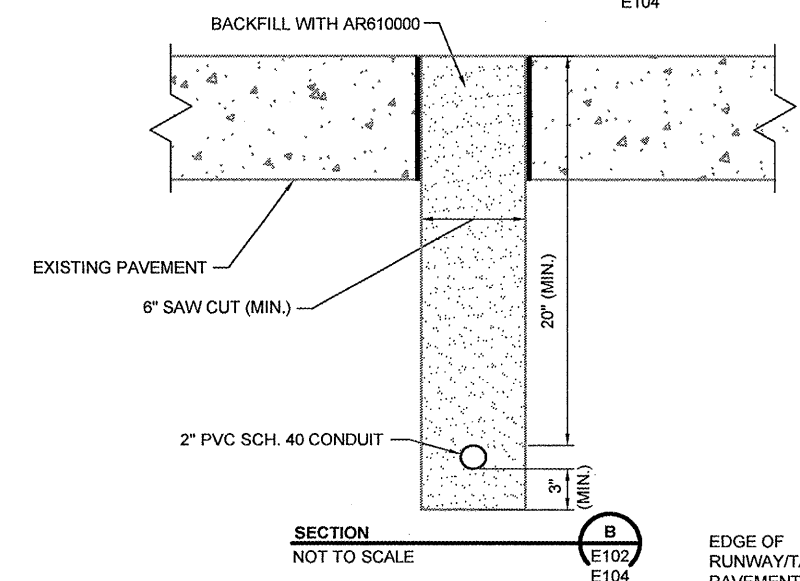
L-867 BASE CAN INSTALLATION
DETAIL 2
NOT TO SCALE
E101
E102
E103
E104

- NOTES:
1. COLLARS NOT ROUND AND CENTERED SHALL BE REPLACED AT CONTRACTORS EXPENSE.
 2. SEE DETAIL-5 FOR WIRING INFORMATION.
 3. ALL BASE CAN BOLTS SHALL BE COATED WITH ANTI-SIEZE COMPOUND PRIOR TO INSTALLATION.
 4. SEE DETAIL-1 FOR GROUNDING INFORMATION.
 5. PROVIDE ONE (1) SNOW WAND FOR EACH BASE CAN. SNOW WAND SHALL NOT BE PAID FOR SEPARATELY BUT SHALL BE CONSIDERED INCIDENTAL TO EACH BASE CAN.

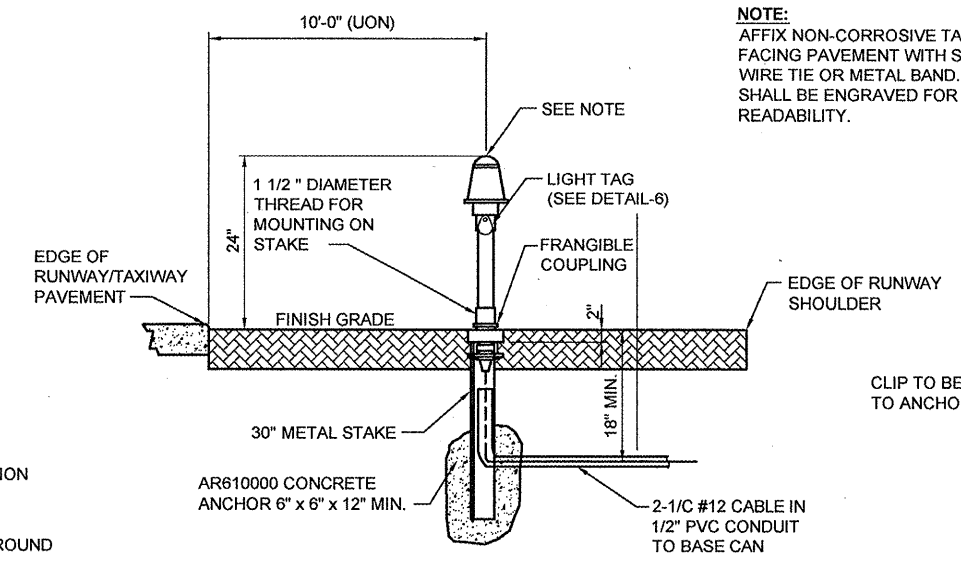


DETAIL 6
NOT TO SCALE
E101
E102
E103
E104

NOTE:
AFFIX NON-CORROSIVE TAG TO FIXTURE FACING PAVEMENT WITH SET SCREW, WIRE TIE OR METAL BAND. NUMERALS SHALL BE ENGRAVED FOR PERMANENT READABILITY.

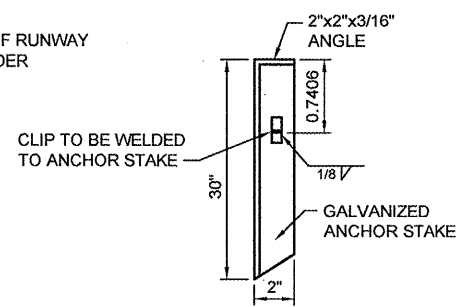


SECTION
NOT TO SCALE
B
E102
E104

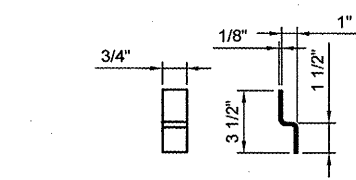


STAKE MOUNTED EDGE LIGHT
DETAIL 4
NOT TO SCALE
E102
E103
E104
E105
E108

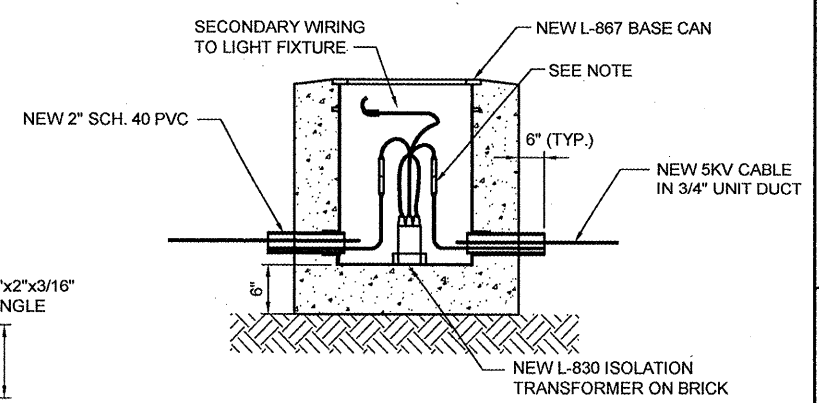
NOTE:
L-861 MIRL OR MITL WITH 30W QUARTZ LAMP, LENS COLOR AS INDICATED ON DRAWINGS.



ANCHOR STAKE
NOT TO SCALE

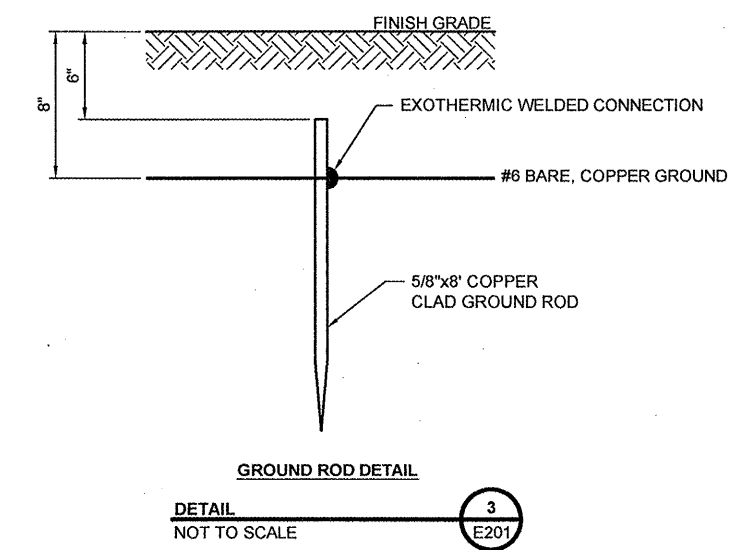


STEEL CLIP (FOR ANCHOR STAKE)
NOT TO SCALE



TYPICAL BASE CAN - WIRING
DETAIL 5
NOT TO SCALE
E201

NOTE:
L-823 CONNECTORS SHALL BE HALF-LAP-TAPED WITH ELECTRICAL TAPE. PROVIDE 1-PIECE HEAT SHRINK TUBING OVER ENTIRE L-823 CONNECTOR. HEAT SHRINK SHALL HAVE INTERNAL ADHESIVE AT ENDS ONLY. (SEE DETAIL-3, SHEET E207)



GROUND ROD DETAIL
DETAIL 3
NOT TO SCALE
E201



date	02/13/2008	detailed	L. TUCKER
designed	B. QUINLAN	checked	A. RAHMAN

RUNWAY 9/27 LIGHTING, NAVAIDS AND SIGNAGE; RUNWAY 18/36 WIND CONES AND SIGNAGE

ELECTRICAL DETAILS 1

project	contract
drawing	rev.
E201 - 0	
sheet 15 of 21 sheets	file 47463E201.DWG

Scale For Microfitting
Millimeters
Inches

COPYRIGHT © 2008 BURNS & McDONNELL ENGINEERING COMPANY, INC.