



HANSON PROFESSIONAL SERVICES INC.

815 Commerce Drive, Suite 200
Oak Brook, Illinois 60423
Telephone: 630.990.3800
Fax: 630.990.3801

Illinois Professional Design Firm
Registration No. 184-001084

© Copyright Hanson Professional Service Inc. 2008

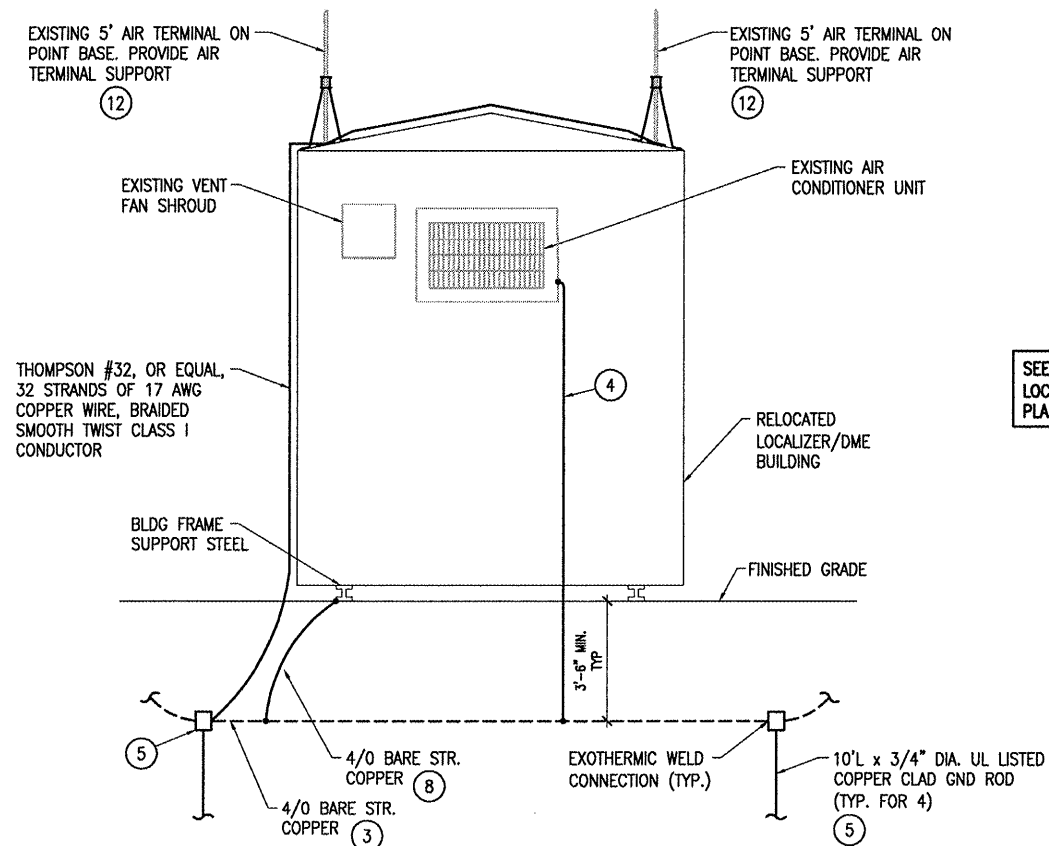


JOLIET REGIONAL PORT DISTRICT

1 George Michas Drive
Romeoville, Illinois 60446
Telephone: 815.838.9497
Fax: 815.838.9524

EXTEND RUNWAY 2-20: CONSTRUCT
TAXIWAY TURNAROUND

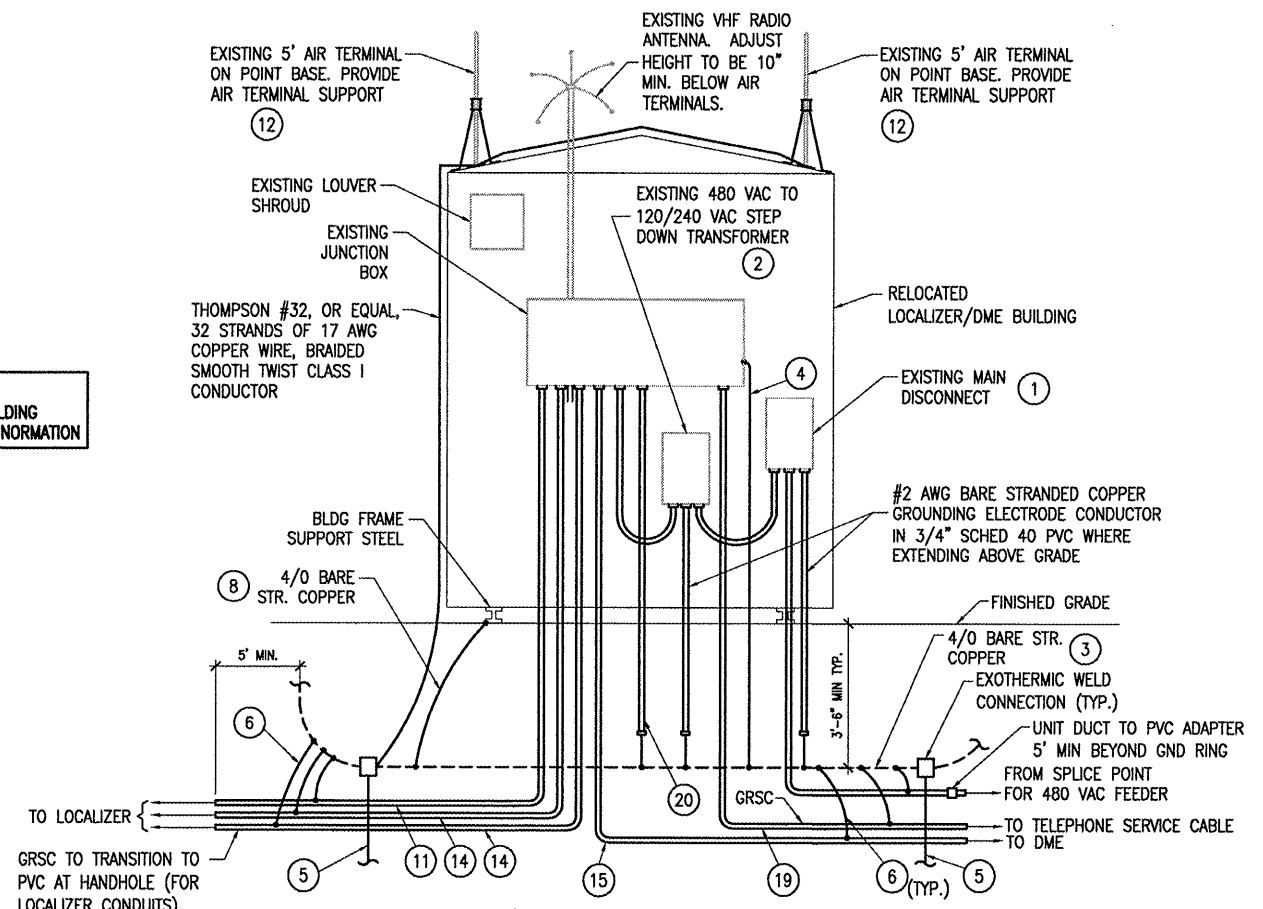
AIP PROJECT NO. 3-17-0140-B42
IDA PROJECT NO. LOT-3792



RWY 2 LOCALIZER/DME BUILDING RIGHT SIDE ELEVATION

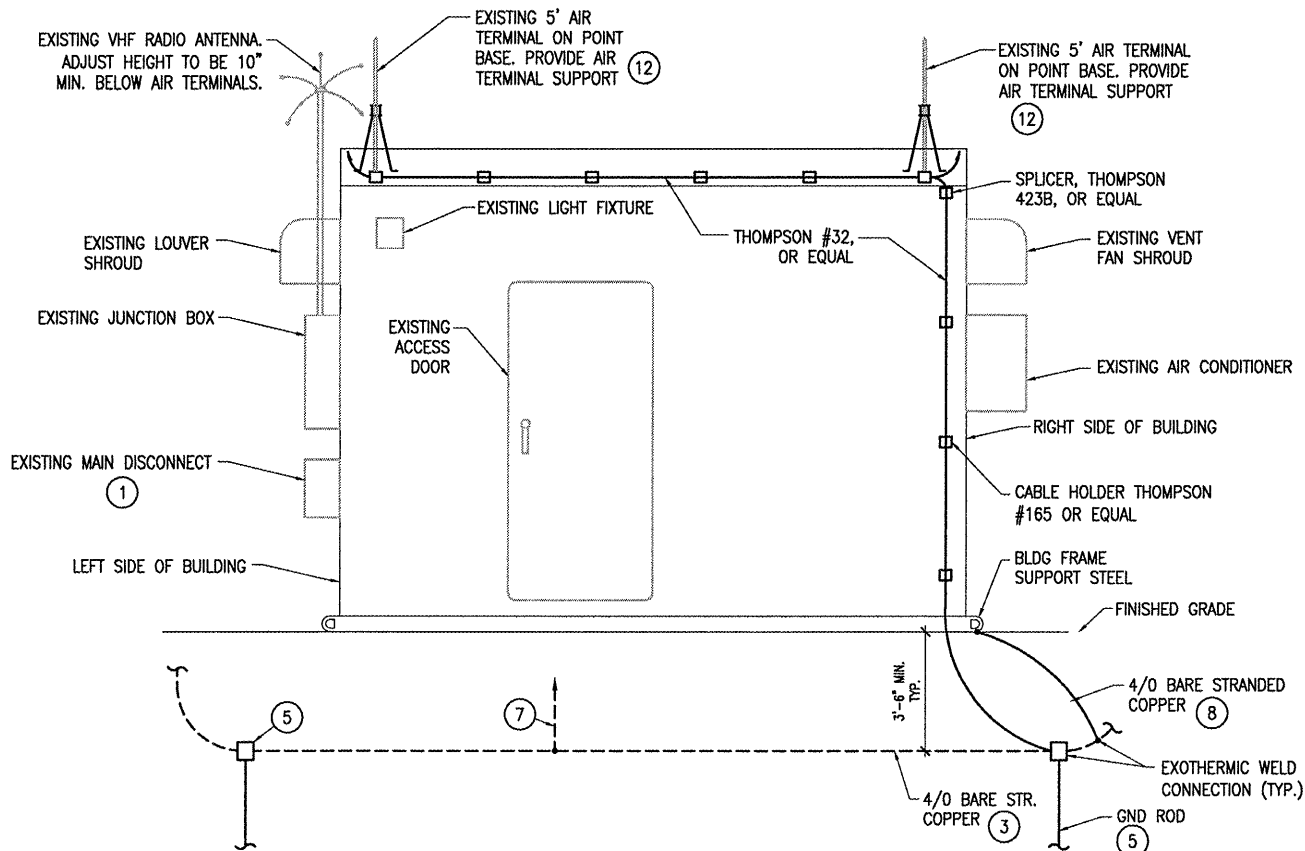
NOT TO SCALE

SEE RUNWAY 2
LOCALIZER/DME BUILDING
PLAN FOR LEGEND INFORMATION



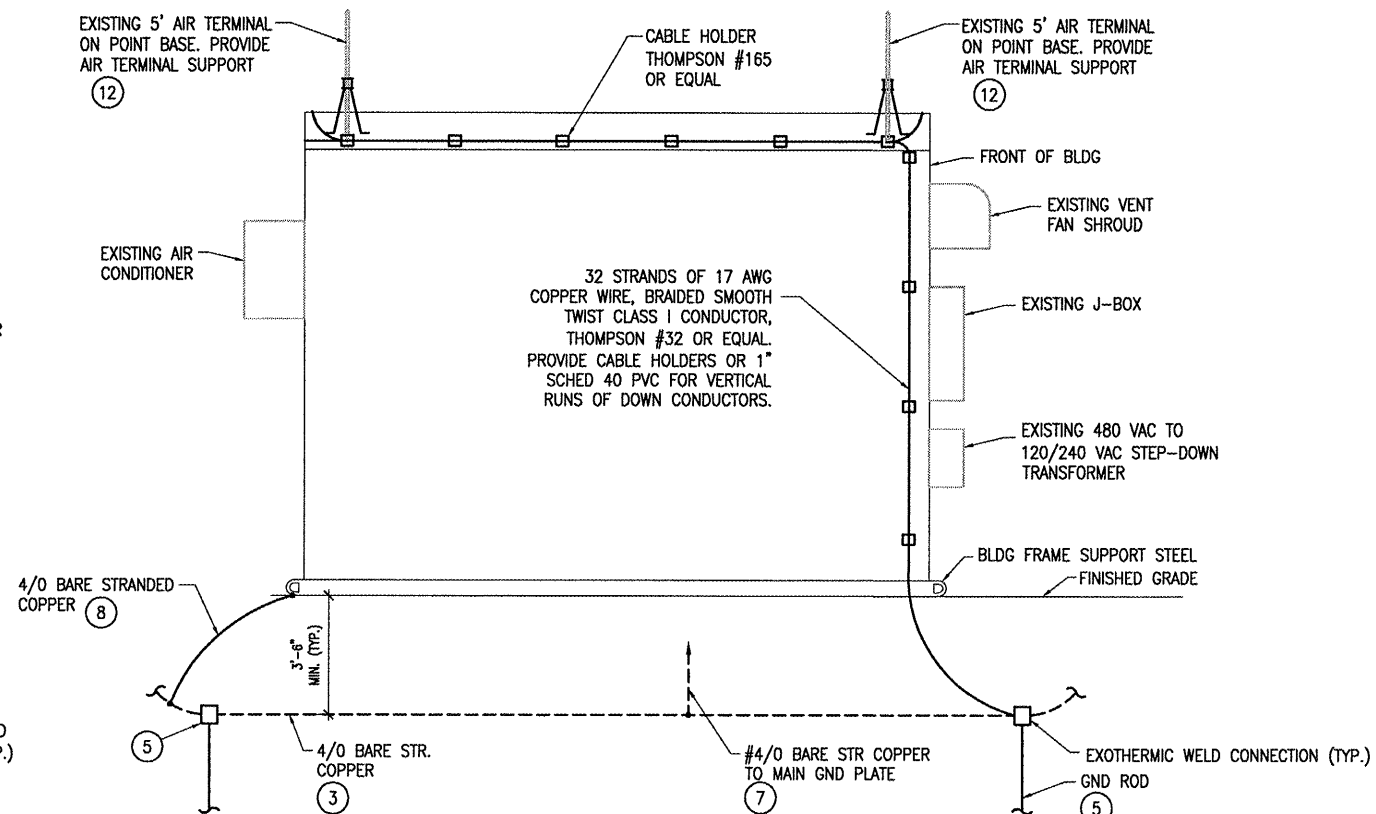
RWY 2 LOCALIZER/DME BUILDING LEFT SIDE ELEVATION

NOT TO SCALE



RWY 2 LOCALIZER/DME BUILDING FRONT ELEVATION

NOT TO SCALE



RWY 2 LOCALIZER/DME BUILDING REAR ELEVATION

NOT TO SCALE

I:\07A005\00840\07A0166\DRAWINGS\SHEETS\7B-LOCALIZER BUILDING ELEVATIONS.DWG, APR 18, 2008 10:21AM HANSON0822

No.	Drawing Issue Description	Date	By

Date
APRIL 18, 2008
Sheet Title

**RUNWAY 2
LOCALIZER/DME
BUILDING ELEVATIONS**

07A0166
Project Number
KNL 11/26/03
Layout By Date
KNL 11/26/03
Designed By Date
RMH 03/20/08
Reviewed By Date
MV
Drawn By Sheet No.