



HANSON PROFESSIONAL SERVICES INC.

815 Commerce Drive, Suite 200
Oak Brook, Illinois 60523
Telephone: 630.990.3800
Fax: 630.990.3801

Illinois Professional Design Firm
Registration No. 184-001084

© Copyright Hanson Professional Service Inc. 2008



JOLIET REGIONAL PORT DISTRICT

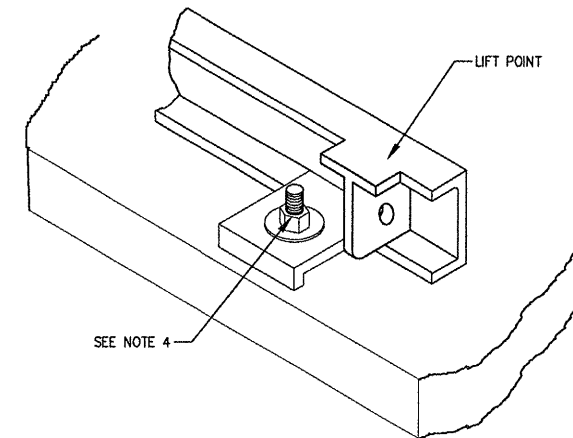
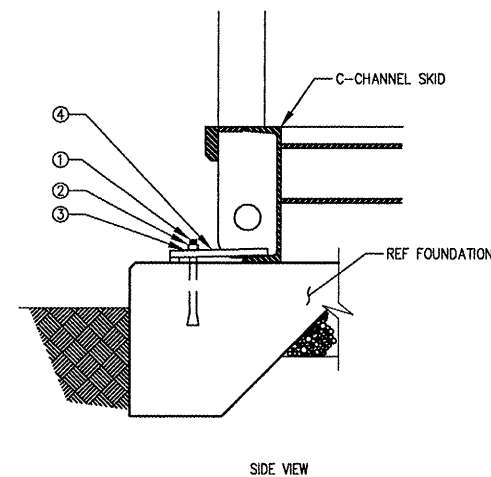
1 George Michas Drive
Romeoville, Illinois 60446
Telephone: 815.838.9497
Fax: 815.838.9524

EXTEND RUNWAY 2-20: CONSTRUCT
TAXIWAY TURNAROUND

AIP PROJECT NO. 3-17-0140-B42
IDA PROJECT NO. LOT-3792

NOTES

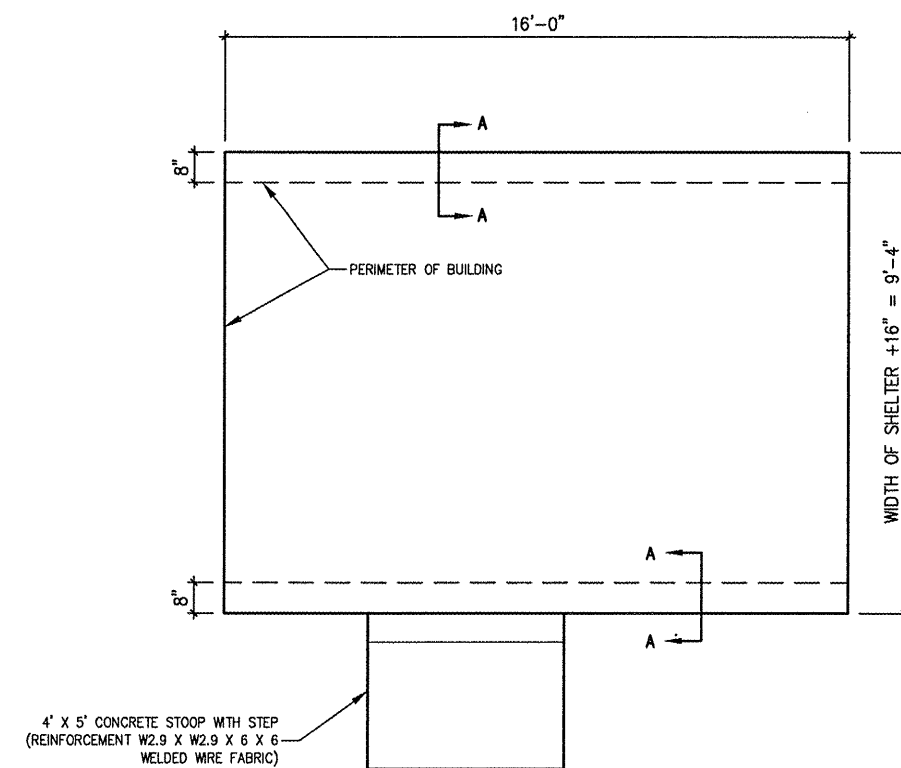
1. CONCRETE TO BE ITEM 610 P.C. CONCRETE, AIR-ENTRAINED FOR FOUNDATIONS.
2. REINFORCING BARS SHALL CONFORM TO ASTM-A65 GRADE 60 IN ACCORDANCE WITH SPECIAL PROVISIONS.
3. TOPS OF CONCRETE FOUNDATION MUST BE WITHIN 0.02" PER FOOT OF ELEVATION SPECIFIED.
4. LOCATE WEDGE ANCHORS AFTER SHELTER IS LOCATED ON SLAB TO CORRECTLY ALIGN WITH INSTALLED ANCHOR PLATE. DO NOT INSTALL WEDGE ANCHOR BEFORE SETTING SHELTER ON FOUNDATION.
5. SEE SPECIAL PROVISIONS FOR ADDITIONAL INFORMATION.



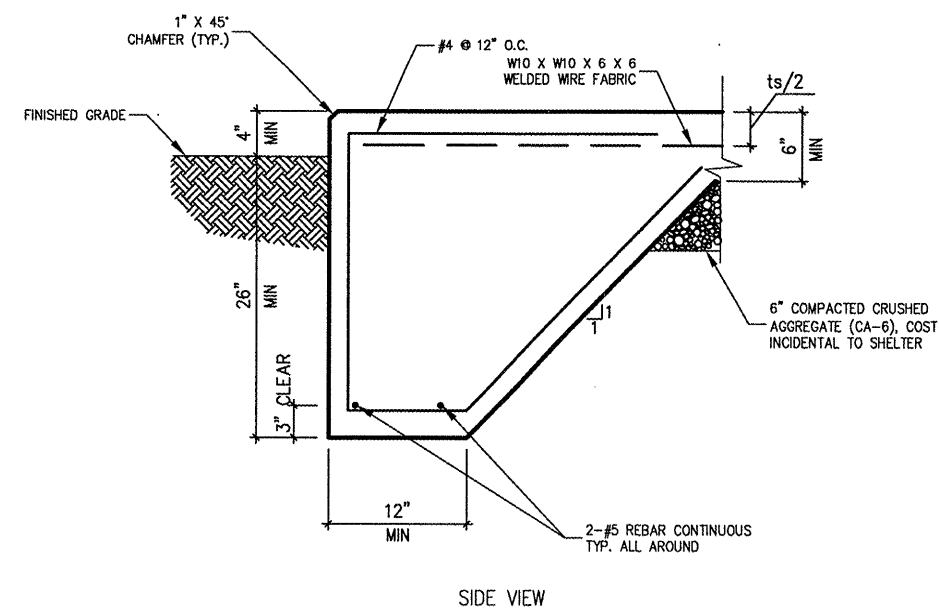
| QTY. | UNIT OF MEASURE | PART NO. | DESCRIPTION | ITEM NO. |
|------|-----------------|------------|------------------------------|----------|
| 4 | EA | 101283-003 | ANCHOR PLATE | 4 |
| 4 | EA | 165005-009 | FLAT WASHER, 3/4 | 3 |
| 4 | EA | 165032-002 | HEX NUT, 3/4-10 | 2 |
| 4 | EA | 3A464 | WEDGE ANCHOR, 3/4-10 x 6 1/4 | 1 |

A BUILDING ATTACHMENT
SECTION VIEW - SEE ALSO DETAIL D

B TIE DOWN PLATE
FRONT VIEW



C FOUNDATION PLAN
FOUNDATION PLAN VIEW



D CONTINUOUS PERIMETER FOOTING
SECTION VIEW SECTION A-A

DETAILS SHOWN ARE NOT TO SCALE

| No. | Drawing Issue Description | Date | By |
|-----|---------------------------|------|----|
| | | | |
| | | | |
| | | | |
| | | | |
| | | | |
| | | | |
| | | | |
| | | | |
| | | | |
| | | | |

Date
APRIL 18, 2008
Sheet Title

**LOCALIZER SHELTER
FOUNDATION DETAILS**

07A0166
Project Number
LDH 03/20/08
Layout By Date
LDH 03/20/08
Designed By Date
RMH 03/20/08
Reviewed By Date
RJT
Drawn By Sheet No.