



HANSON PROFESSIONAL SERVICES INC.

815 Commerce Drive, Suite 200  
Oak Brook, Illinois 60523  
Telephone: 630.990.3800  
Fax: 630.990.3801

Illinois Professional Design Firm  
Registration No. 184-001084

© Copyright Hanson Professional Service Inc. 2008



JOLIET REGIONAL PORT DISTRICT

1 George Michas Drive  
Romeoville, Illinois 60446  
Telephone: 815.838.9497  
Fax: 815.838.9524

EXTEND RUNWAY 2-20: CONSTRUCT TAXIWAY TURNAROUND

AIP PROJECT NO. 3-17-0140-B42  
IDA PROJECT NO. LOT-3792

No.	Drawing Issue Description	Date	By
1	Shelter Foundation	03/07/03TMM	

Date

APRIL 18, 2008

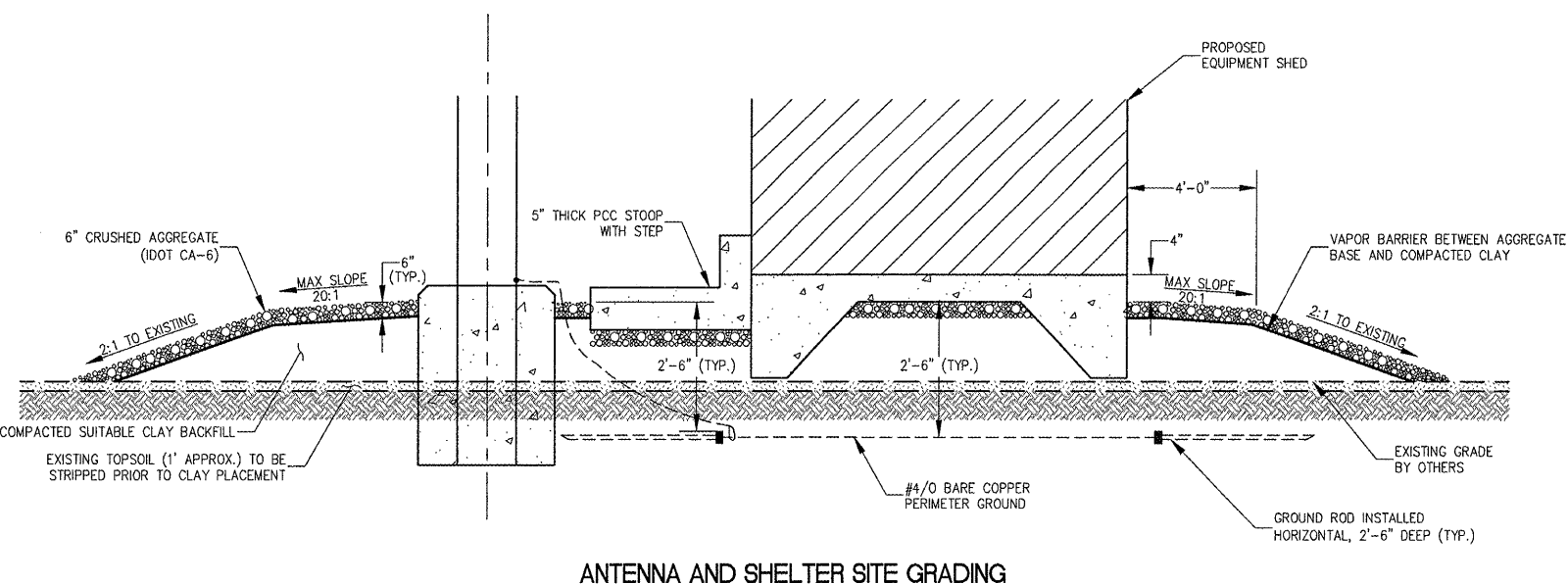
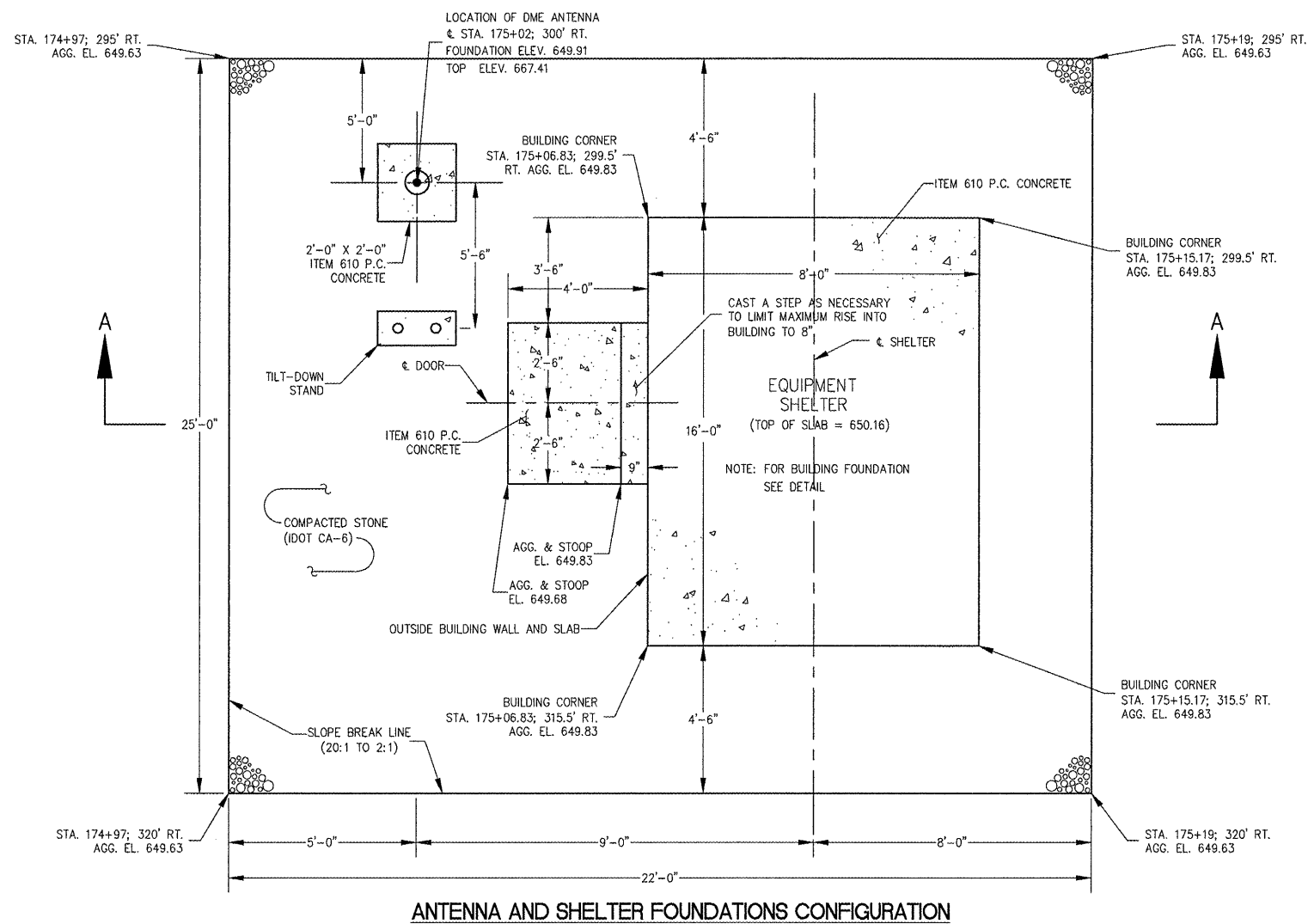
Sheet Title

LOCALIZER SHELTER SITE PLAN AND DME ANTENNA DETAIL

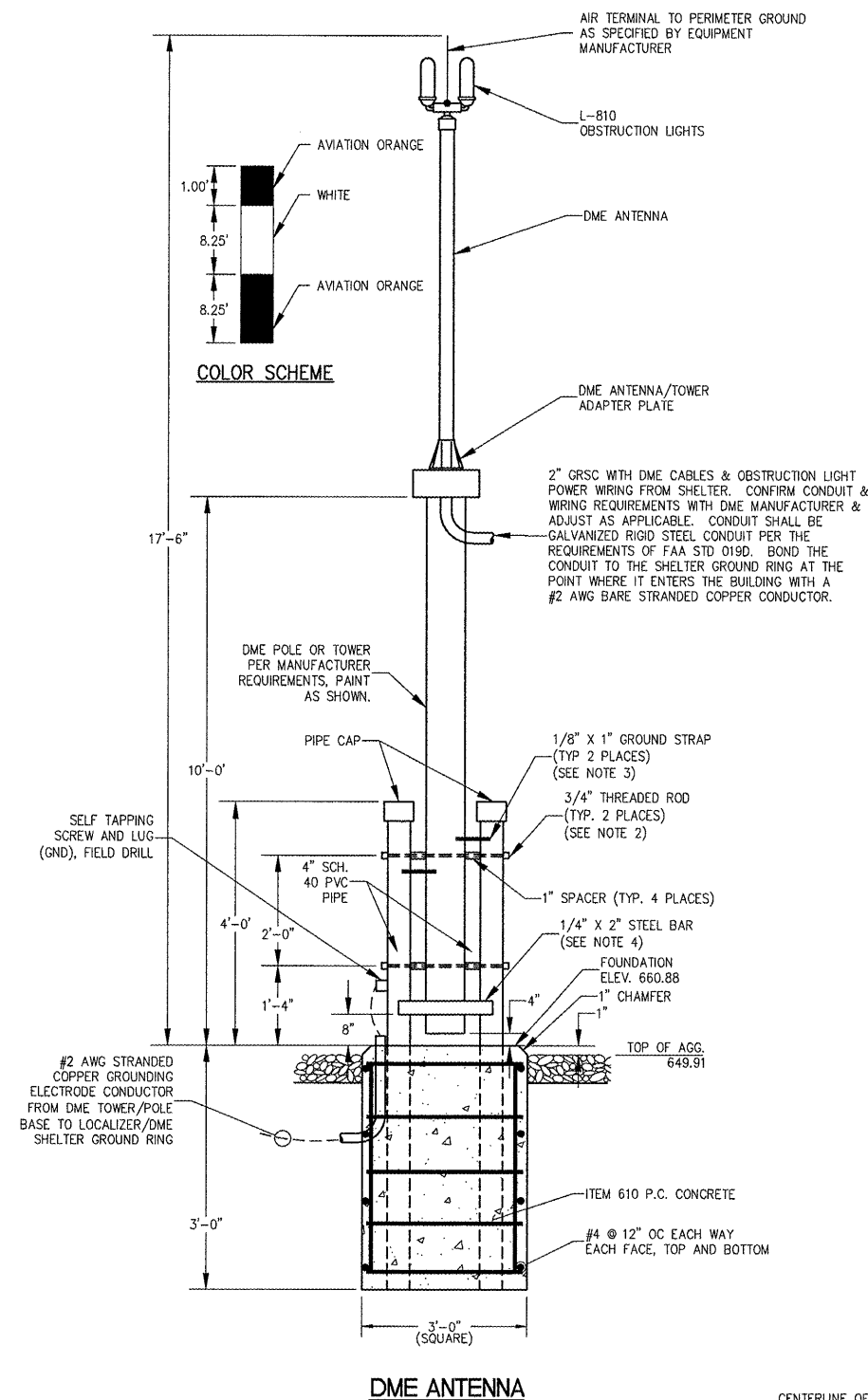
07A0166  
Project Number  
LDH 03/20/08  
Layout By Date  
LDH 03/20/08  
Designed By Date  
RMH 03/20/08  
Reviewed By Date  
RJT  
Drawn By Sheet No.

NOTES

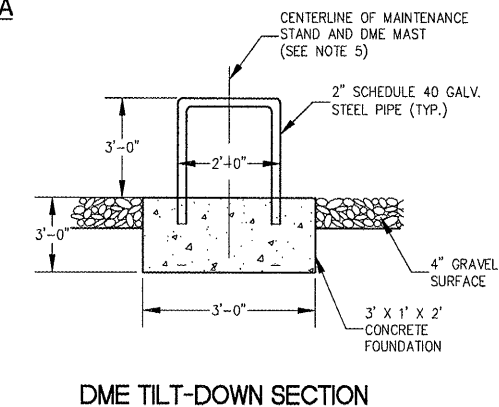
- CONTRACTOR SHALL PROVIDE CONCRETE FOUNDATIONS AND ALL CONTROL WIRING AND CABLING AND GROUNDING NECESSARY FOR A COMPLETE INSTALLATION.
- CONTRACTOR SHALL PROVIDE CABLING AND CONDUIT BETWEEN LOCALIZER AND SHELTER AS REQUIRED BY EQUIPMENT MANUFACTURER.
- GRADE CA-6 TO SLOPE AWAY FROM FOUNDATION, (MAX. SLOPE 20:1)
- WORK TO BE PAID UNDER ITEM AR127961 EXCEPT AS NOTED.
- COMPACTED STONE TO BE PAID SEPARATELY UNDER ITEM AR208606. VAPOR BARRIER TO BE PAID SEPARATELY UNDER ITEM AR800968.
- FOR SHELTER GROUNDING REQUIREMENTS SEE PROTECTION DETAILS.



DETAILS SHOWN ARE NOT TO SCALE



- NOTES
- WORK TO BE PAID UNDER ITEM AR127961.
  - THE 3/4" THREADED ROD SHALL BE STAINLESS STEEL. ALL REQUIRED HARDWARE (NUTS, WASHERS, SPACERS, ETC.) SHALL BE STAINLESS STEEL OR HOT DIPPED GALVANIZED.
  - INSTALL A 1/8" X 1" FLEXIBLE BRAIDED COPPER GROUND STRAP BETWEEN BOTH 4" RGS PIPES AND THE ANTENNA MAST. USE A BOLTED CONNECTION FOR THE GROUNDING STRAP. ALLOW SUFFICIENT SLACK IN THE GROUNDING STRAP FOR LOWERING THE ANTENNA MAST.
  - BOLT A 1/4" X 2" STEEL BAR TO THE 2"-4" RGS PIPE TO ENSURE MAST ASSEMBLY CANNOT TILT AWAY FROM INTENDED LOWERING POSITION.
  - INSTALL SAFETY CHAIN SO THAT IT WILL SUPPORT THE DME MAST HORIZONTAL TO THE GROUND FOR MAINTENANCE.



DME TILT-DOWN SECTION