



HANSON PROFESSIONAL SERVICES INC.

815 Commerce Drive, Suite 200
Oak Brook, Illinois 60523
Telephone: 630.990.3800
Fax: 630.990.3801

Illinois Professional Design Firm
Registration No. 184-001084

© Copyright Hanson Professional Service Inc. 2008

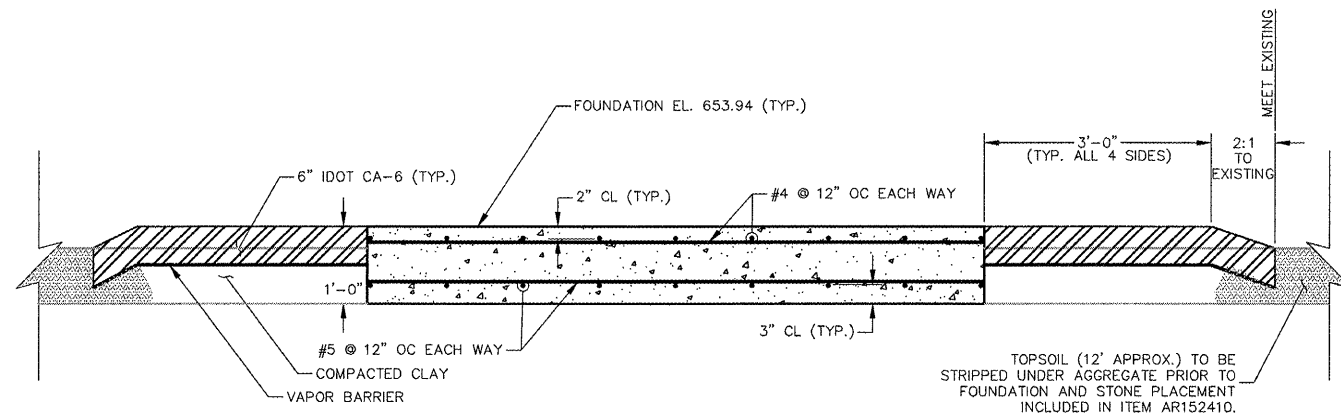


JOLIET REGIONAL PORT DISTRICT

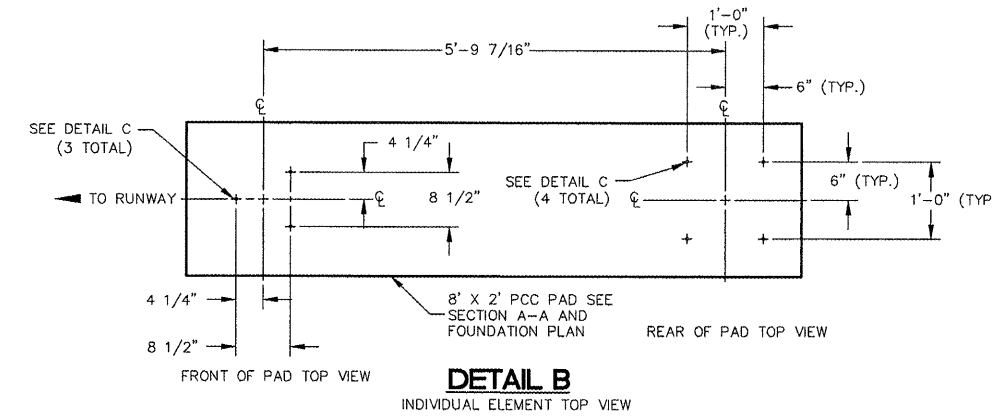
1 George Michas Drive
Romeoville, Illinois 60446
Telephone: 815.838.9497
Fax: 815.838.9524

EXTEND RUNWAY 2-20: CONSTRUCT
TAXIWAY TURNAROUND

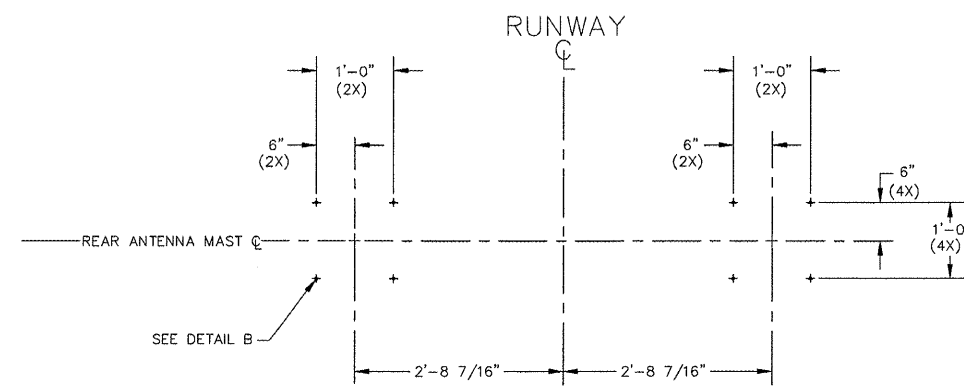
AIP PROJECT NO. 3-17-0140-B42
IDA PROJECT NO. LOT-3792



SECTION A-A FROM FOUNDATION PLAN

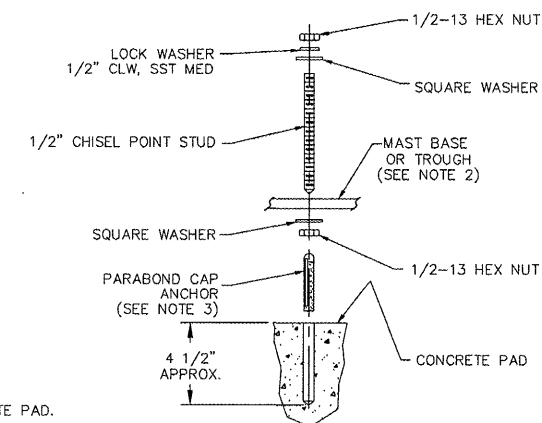


DETAIL B
INDIVIDUAL ELEMENT TOP VIEW



DETAIL A

14 ELEMENT DU MAST MOUNTING



DETAIL C

NOTES

1. LEAVE 1/4" CLEARANCE BETWEEN BASE OF TROUGH AND TOP OF CONCRETE PAD.
2. FOLLOW MANUFACTURERS INSTRUCTIONS WHEN INSTALLING.
3. PLACE AGGREGATE TO DIMENSIONS AS SHOWN ON LOCALIZER PLAN SHEET. AGGREGATE ANTENNA FOUNDATION TO BE IDOT GRADATION CA-6.
4. FOUNDATION SHOWN IS TYPICAL. ACTUAL FOUNDATION LAYOUT BY EQUIPMENT MANUFACTURER.

DETAILS SHOWN ARE NOT TO SCALE

No.	Drawing Issue Description	Date	By

Date

APRIL 18, 2008

Sheet Title

**LOCALIZER ANTENNA
FOUNDATION DETAILS**

07A0166
Project Number
LDH 03/20/08
Layout By Date
LDH 03/20/08
Designed By Date
RMH 03/20/08
Reviewed By Date
RJT
Drawn By Sheet No.

70