



HANSON PROFESSIONAL SERVICES INC.

815 Commerce Drive, Suite 200
Oak Brook, Illinois 60523
Telephone: 630.990.3800
Fax: 630.990.3801

Illinois Professional Design Firm
Registration No. 184-001084

© Copyright Hanson Professional Service Inc. 2008

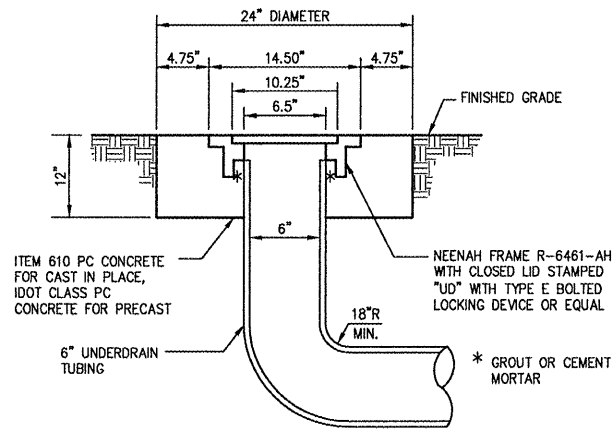


JOLIET REGIONAL PORT DISTRICT

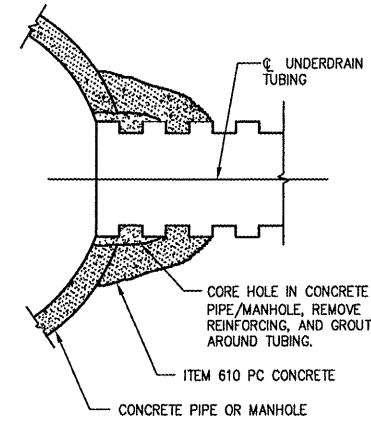
1 George Michas Drive
Romeoville, Illinois 60446
Telephone: 815.838.9497
Fax: 815.838.9524

EXTEND RUNWAY 2-20; CONSTRUCT
TAXIWAY TURNAROUND

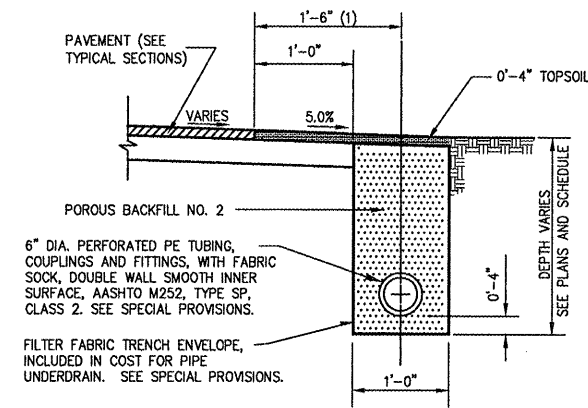
AIP PROJECT NO. 3-17-0140-B42
IDA PROJECT NO. LOT-3792



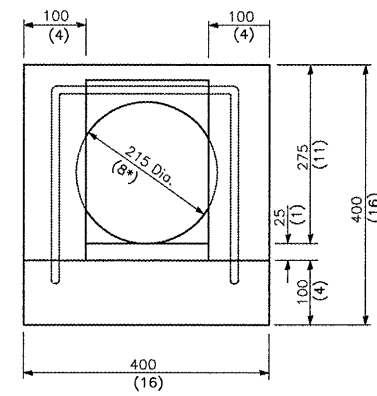
UNDERDRAIN CLEANOUT



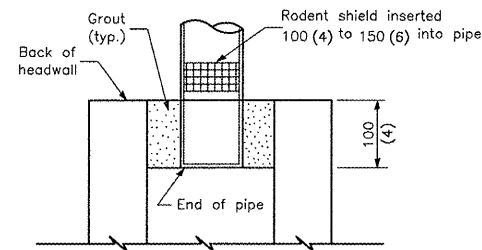
STORM SEWER CONCRETE COLLAR AND GROUT CONNECTION



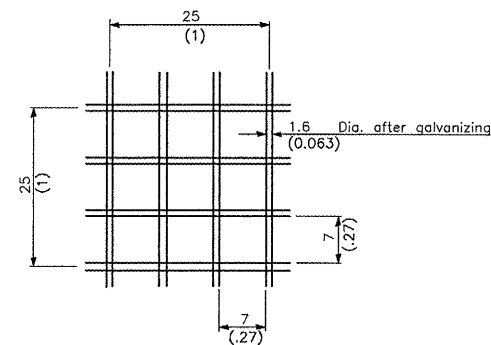
UNDERDRAIN ALONG PAVEMENT EDGE



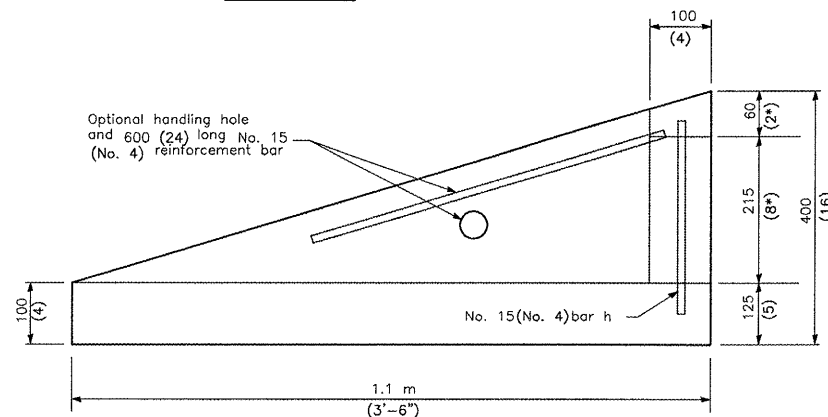
FRONT VIEW



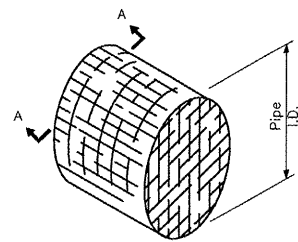
RODENT SHIELD PLACEMENT



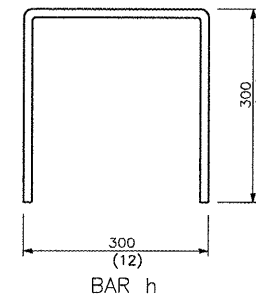
SECTION A-A



SIDE VIEW



DETAIL OF RODENT SHIELD



BAR h

UNDERDRAIN END SECTION (ITEM 705620)

NOTES

1. HEADWALL CONSTRUCTION SHALL MEET IDOT STANDARD 601101 WITH OPENING MODIFIED TO ACCEPT 8 INCH I.D. PVC PIPE.
2. PRECAST CONCRETE SHALL BE IDOT CLASS PC MIX.
3. RODENT SHIELD SHALL BE FURNISHED INCIDENTAL TO HEADWALL.
4. DRAIN PIPE SHALL BE GROUTED AND SEALED TO THE HEADWALL OPENING WITH CEMENT MORTAR.
5. AN ALTERNATE PAVED INVERT MEETING THE APPROVAL OF THE ENGINEER MAY BE SUBSTITUTED FOR THAT SHOWN IN SIDE VIEW.
6. ALL DIMENSIONS ARE IN MILLIMETERS (INCHES) UNLESS OTHERWISE SHOWN.

DETAILS SHOWN ARE NOT TO SCALE

No.	Drawing Issue Description	Date	By

Date

APRIL 18, 2008

Sheet Title

UNDERDRAIN DETAILS

07A0166
Project Number
LDH 02/27/08
Layout By Date
LDH 03/07/08
Designed By Date
RMH 03/20/08
Reviewed By Date
LDH --- | ---
Drawn By Sheet No.

F:\07A005\00840\07A0166\DRAWINGS\SHEETS\28-UNDERDRAIN DETAILS.DWG APR 18, 2008 10:16AM HAUSMORSE