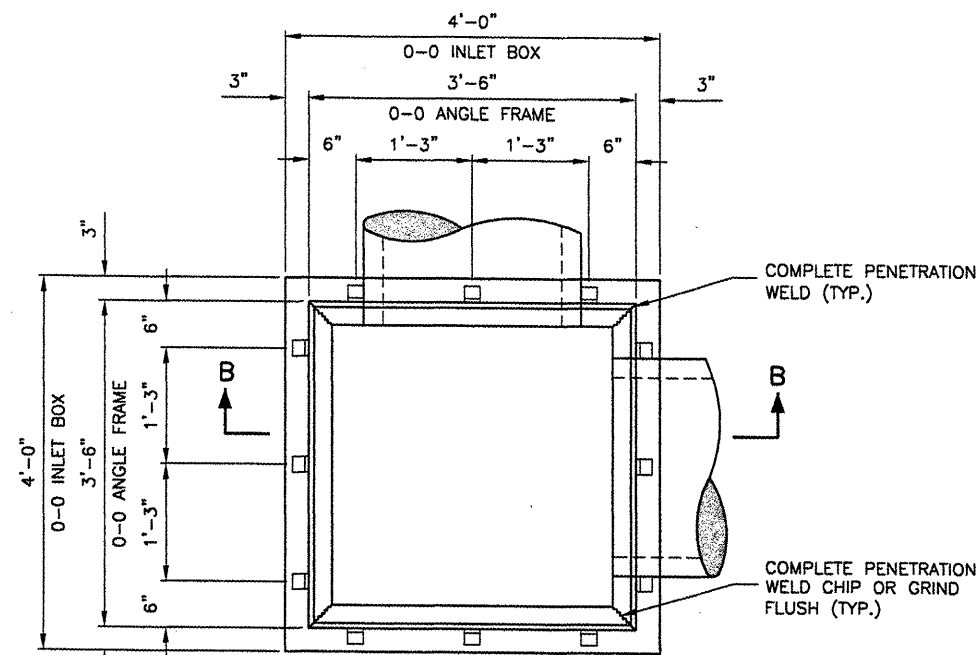
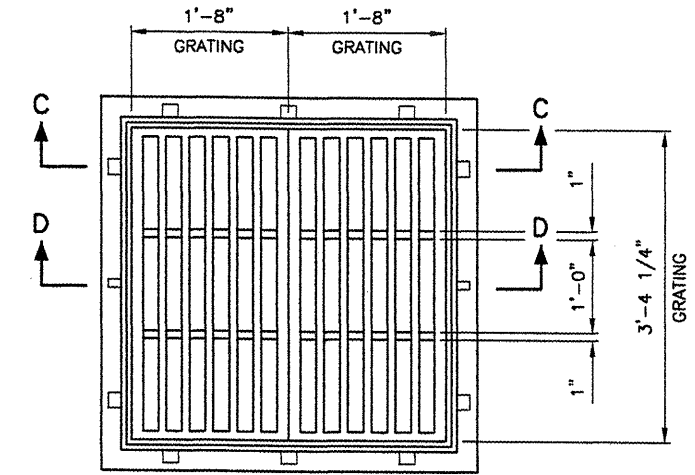


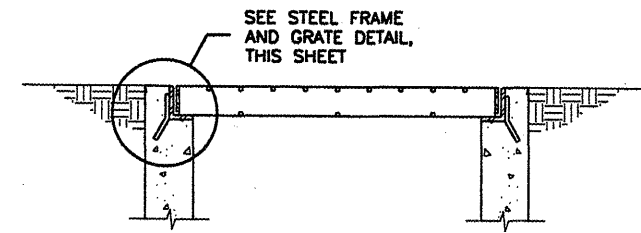
**PLAN**  
N.T.S.



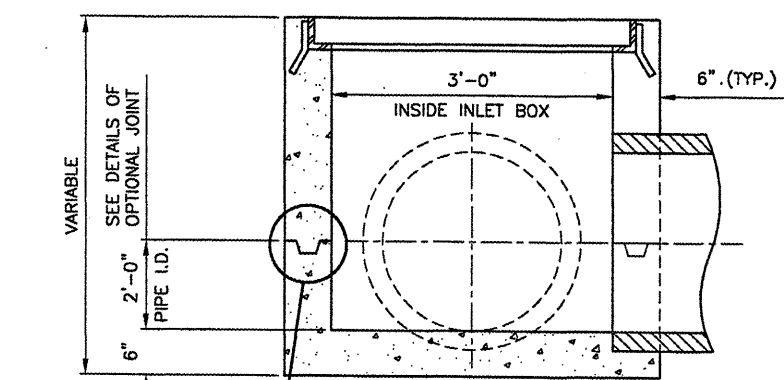
**PLAN**  
N.T.S.



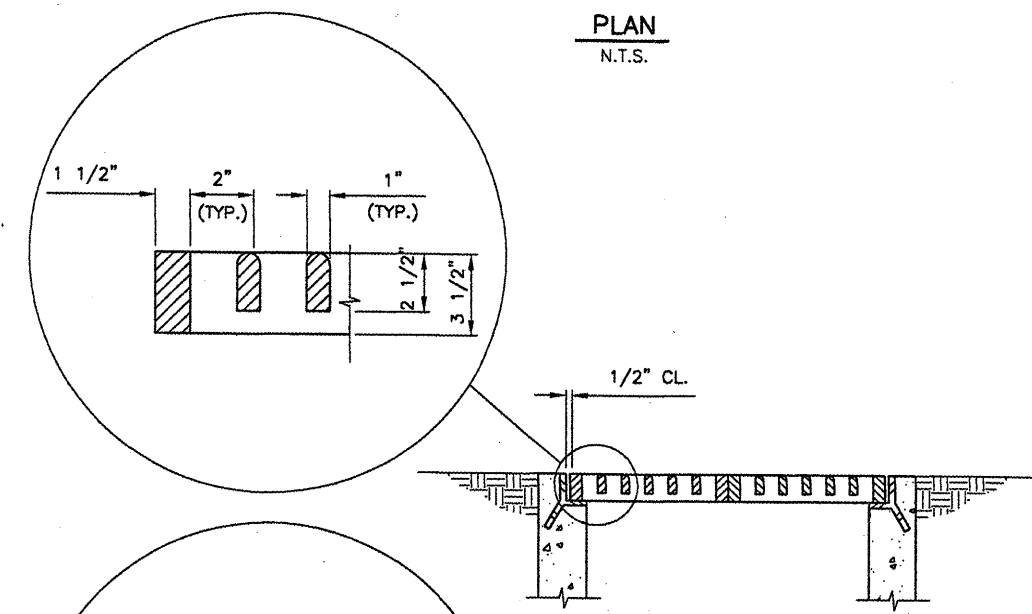
**PLAN**  
N.T.S.



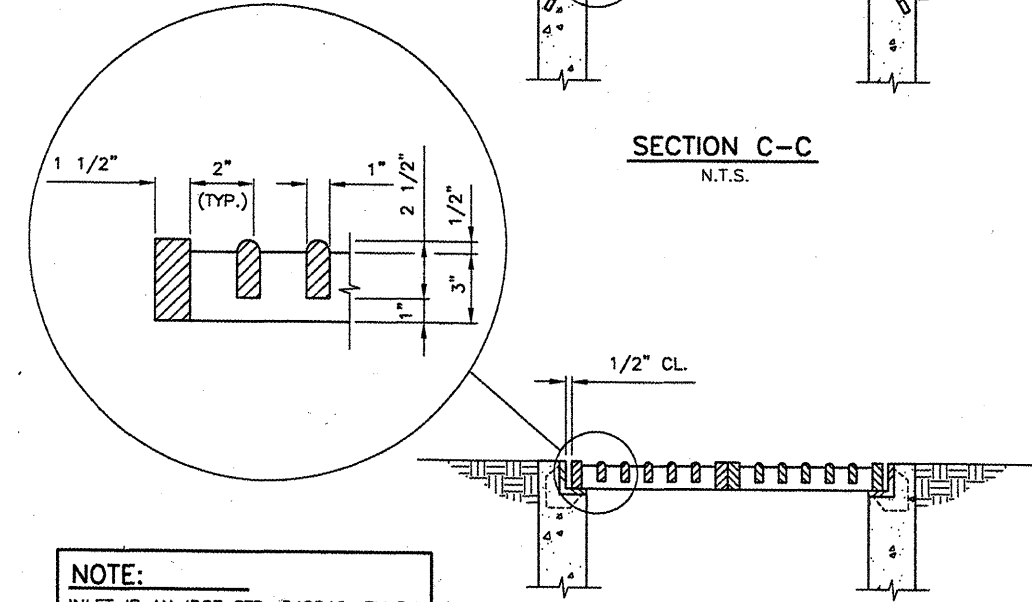
**SECTION A-A**  
N.T.S.



**SECTION B-B**  
N.T.S.

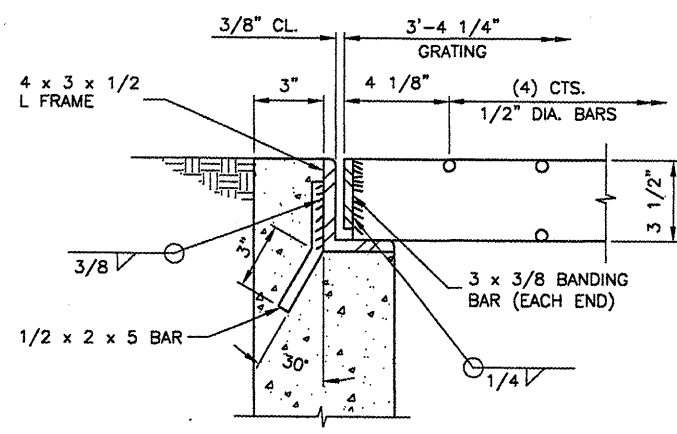


**SECTION C-C**  
N.T.S.

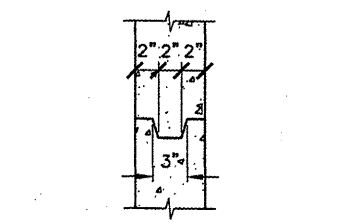


**SECTION D-D**  
CAST FRAME AND GRATE DETAIL  
N.T.S.

**NOTE:**  
 INLET IS AN IDOT STD. 542546, FLUSH  
 INLET BOX FOR MEDIAN. FRAME &  
 GRATES ARE NEENAH R-3807 OR  
 APPROVED EQUAL.



**STEEL FRAME AND GRATE DETAIL**  
N.T.S.



**OPTIONAL JOINT DETAIL**  
N.T.S.

REVISIONS		
NUMBER	BY	DATE

0 1 2  
 THIS BAR IS EQUAL TO 2"  
 AT FULL SCALE (34X22).

**BLOOMINGTON-NORMAL AIRPORT AUTHORITY  
 CENTRAL ILLINOIS REGIONAL AIRPORT  
 BLOOMINGTON, ILLINOIS**

**CONSTRUCT NEW ARFF FACILITY  
 INLET DETAILS**

© Copyright CMT, Inc.  
**CMT**  
 GRANFORD, MURPHY & TILLY, INC.  
 CONSULTING ENGINEERS  
 License No. 104-000613

DESIGN BY: RLV  
 DRAWN BY: DPA  
 CHECKED BY: RLV  
 APPROVED BY: RLV  
 DATE: 04/01/2008  
 JOB No: 0508509