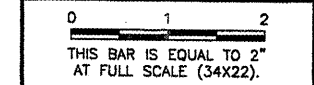


BL064

REVISIONS		
NUMBER	BY	DATE

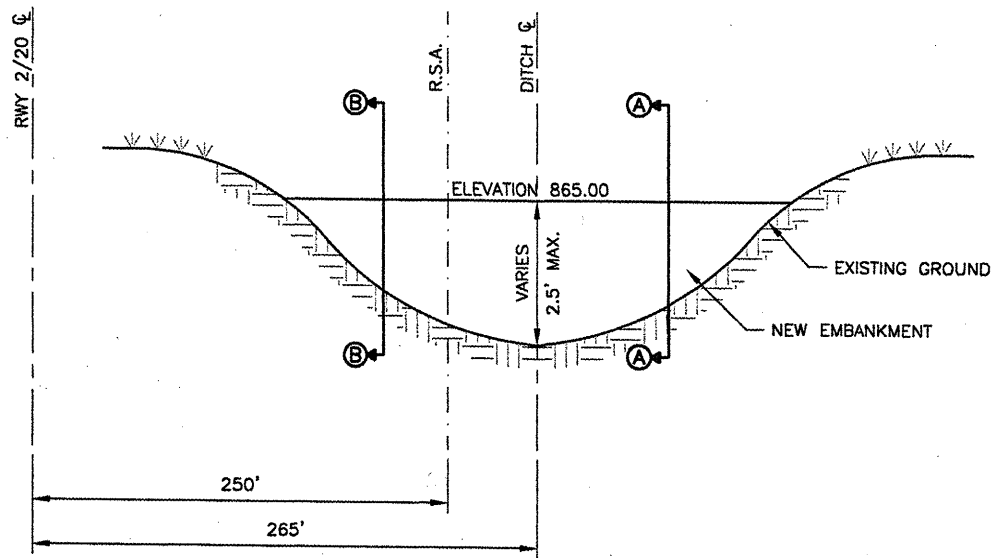
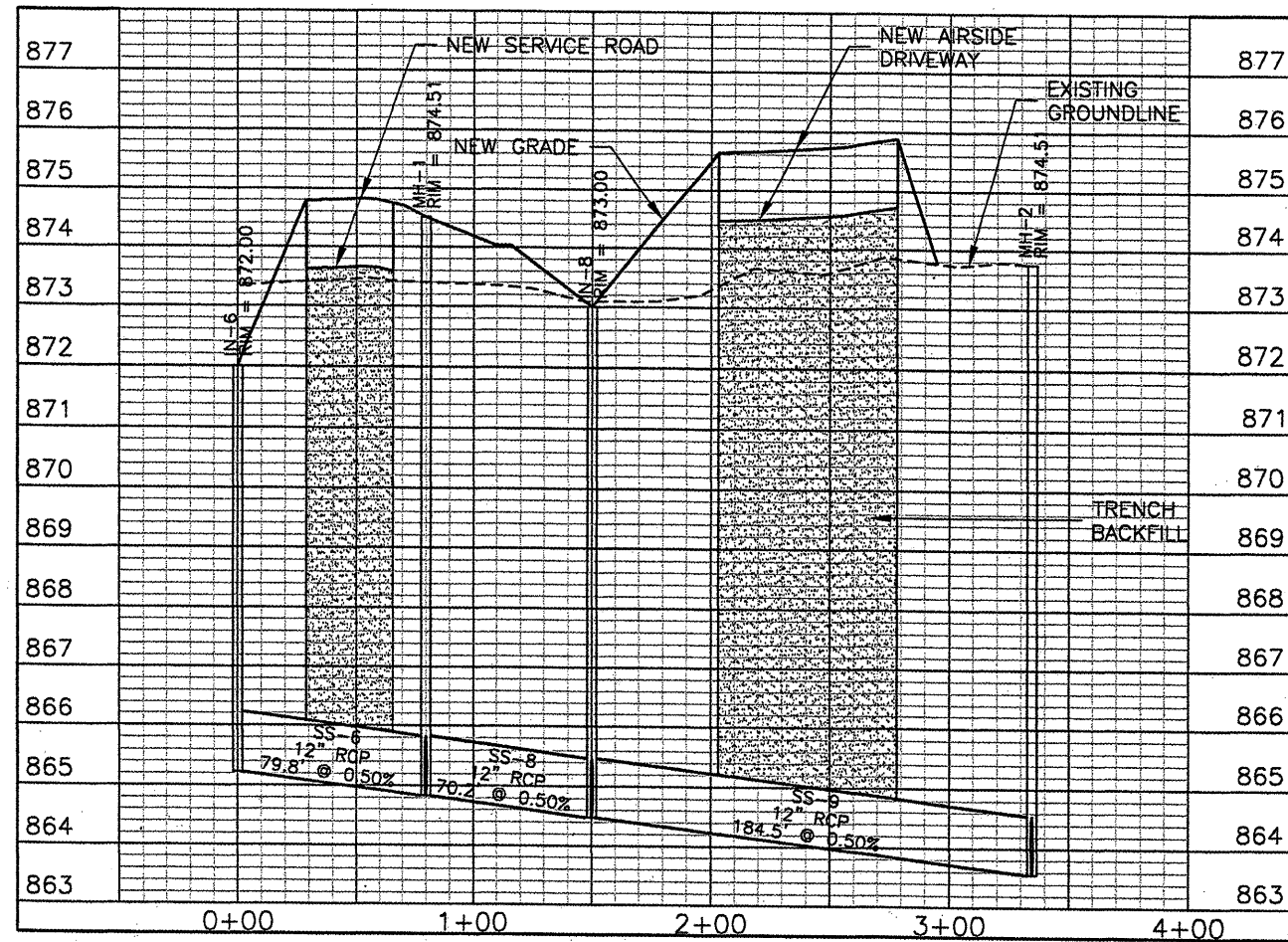
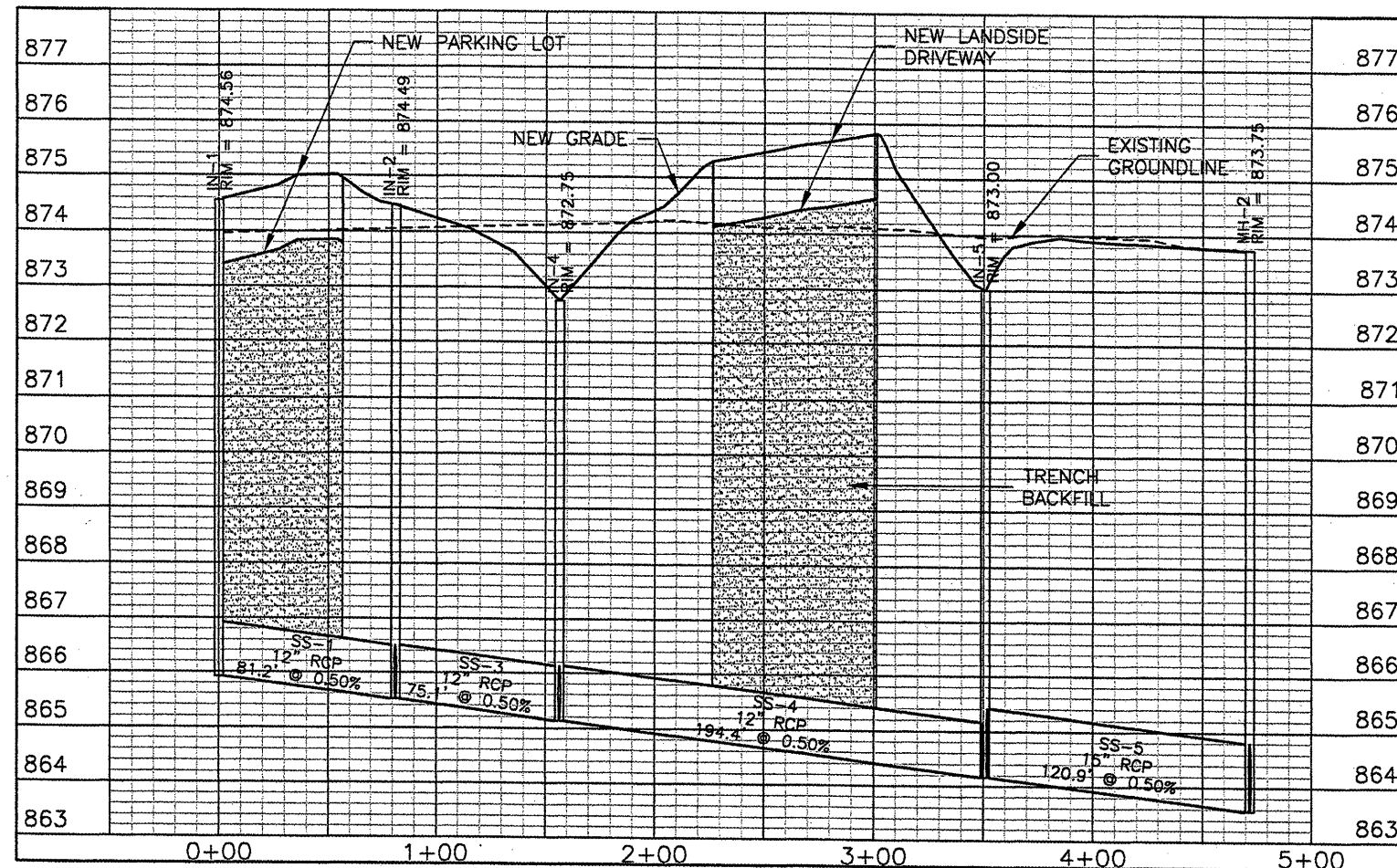


**BLOOMINGTON-NORMAL AIRPORT AUTHORITY
 CENTRAL ILLINOIS REGIONAL AIRPORT
 BLOOMINGTON, ILLINOIS**

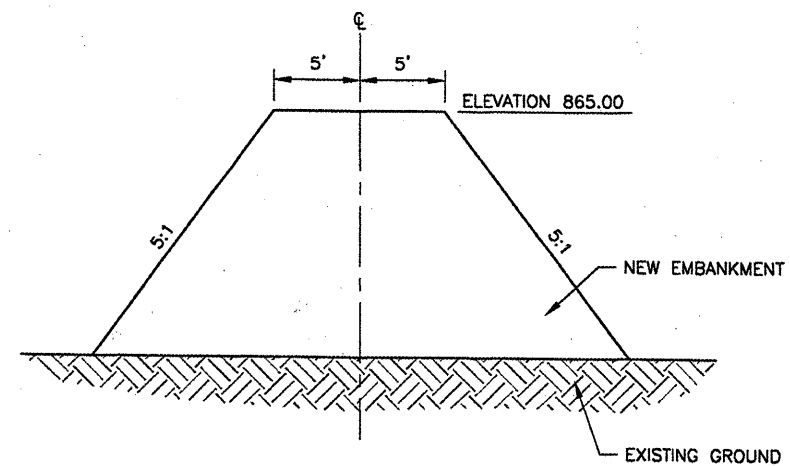
**CONSTRUCT NEW ARFF FACILITY
 STORM SEWER PROFILES 1**

© Copyright CMT, Inc.
CMT
 CRAWFORD, MURPHY & TILLY, INC.
 CONSULTING ENGINEERS
 License No. 84-000613

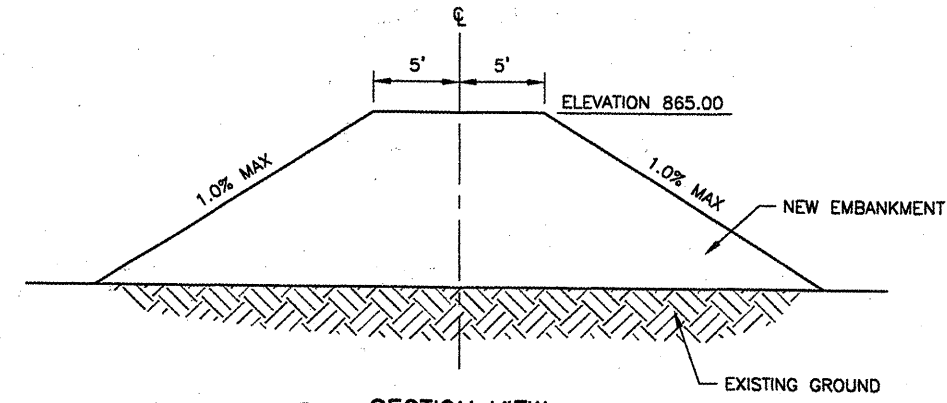
DESIGN BY:	KLB
DRAWN BY:	DPA
CHECKED BY:	RWJ
APPROVED BY:	RWJ
DATE:	04/01/2008
JOB No:	0508509
IL PROJ. NO.	BMI-3797
AIP PROJ. NO.	3-17-0006-46 & 48
SHEET	28 OF 66 SHEETS



DOWNSTREAM VIEW
N.T.S.



SECTION VIEW A-A
N.T.S.



SECTION VIEW B-B
N.T.S.

**NEW EARTH CHECK DAM DETAIL
 RWY 2/20 STA. 783+00**