

BL064

| REVISIONS | | |
|-----------|----|------|
| NUMBER | BY | DATE |
| | | |
| | | |
| | | |

0 1 2
 THIS BAR IS EQUAL TO 2"
 AT FULL SCALE (34X22).

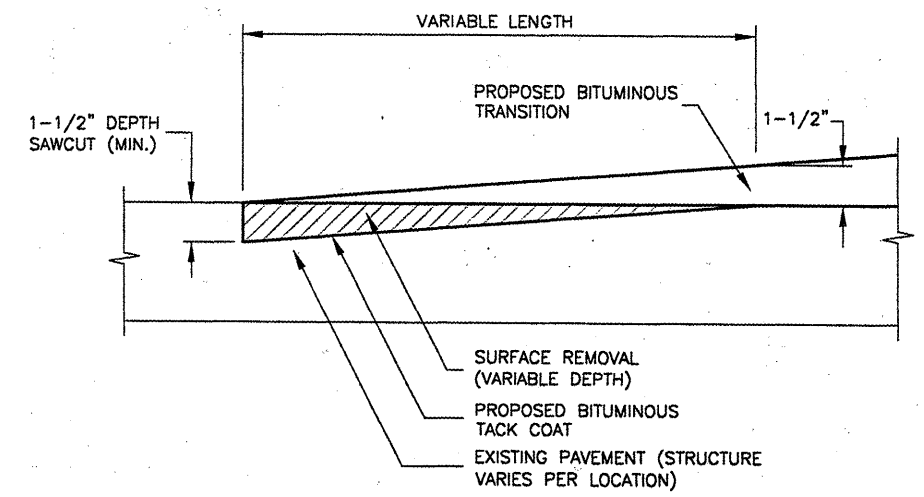
BLOOMINGTON-NORMAL AIRPORT AUTHORITY
 CENTRAL ILLINOIS REGIONAL AIRPORT
 BLOOMINGTON, ILLINOIS

CONSTRUCT NEW ARFF FACILITY
 PAVING AND MISCELLANEOUS DETAILS 1

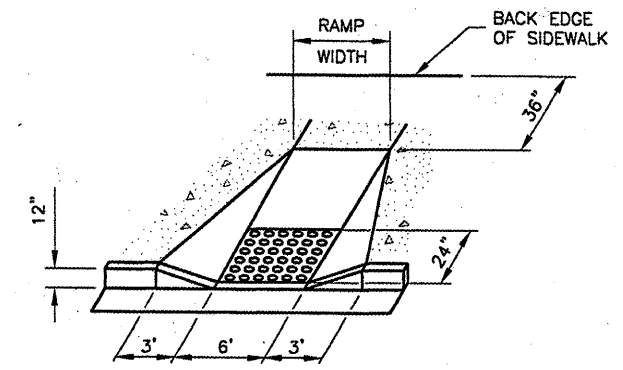
© Copyright CMT, Inc.
CMT
 CRAWFORD MERRY & TILLY, INC.
 CONSULTING ENGINEERS
 License No. 184-000613



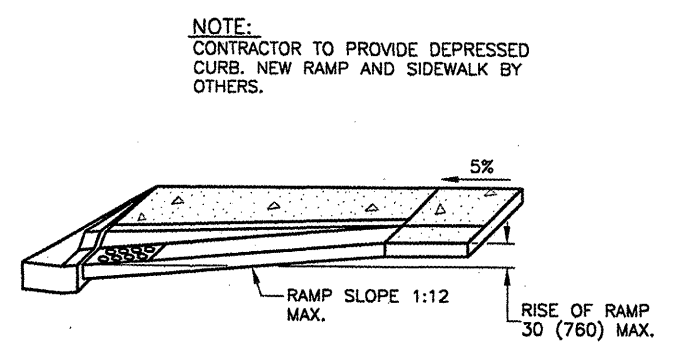
| |
|---------------------------------|
| DESIGN BY: --- |
| DRAWN BY: CMT |
| CHECKED BY: <i>RW</i> |
| APPROVED BY: <i>RW</i> |
| DATE: 04/01/2008 |
| JOB No: 0508509 |
| IL PROJ. NO. BMI-3797 |
| AIP PROJ. NO. 3-17-0006-46 & 48 |
| SHEET 24 OF 66 SHEETS |



BUTT JOINT DETAIL
 N.T.S.



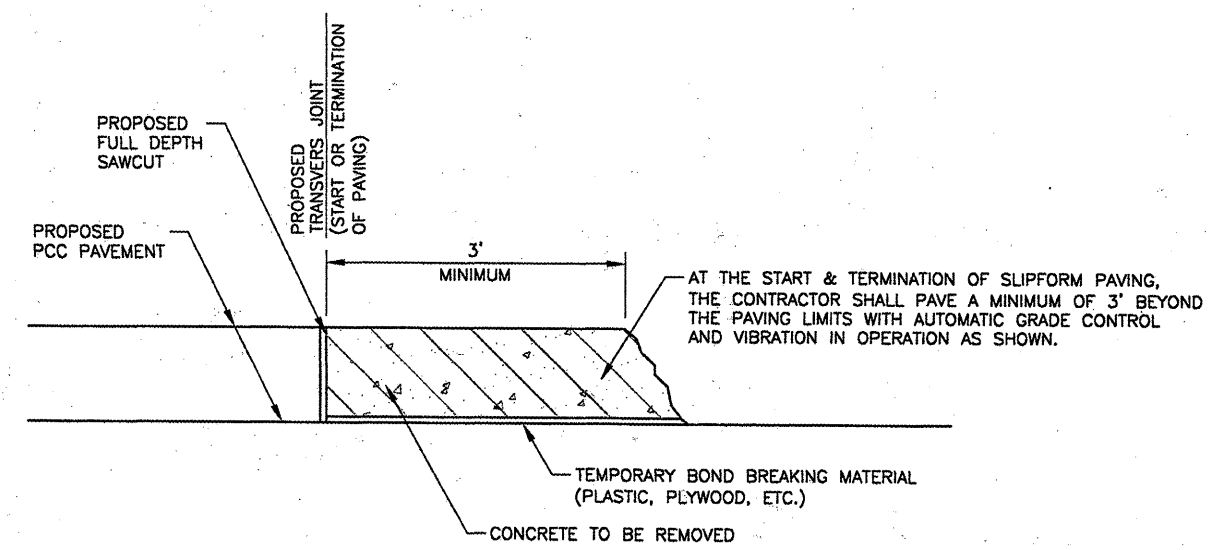
DETAILS OF RAMPS
 N.T.S.
 I.D.O.T. STANDARD 424001-04



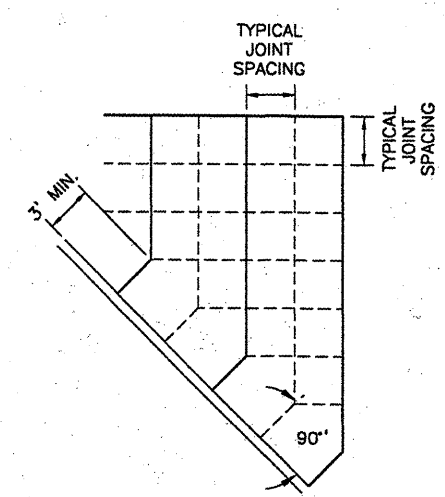
RAMP PROFILE
 N.T.S.
 I.D.O.T. STANDARD 424001-04

NOTE:
 CONTRACTOR TO PROVIDE DEPRESSED CURB, NEW RAMP AND SIDEWALK BY OTHERS.

SIDEWALK RAMP
 N.T.S.

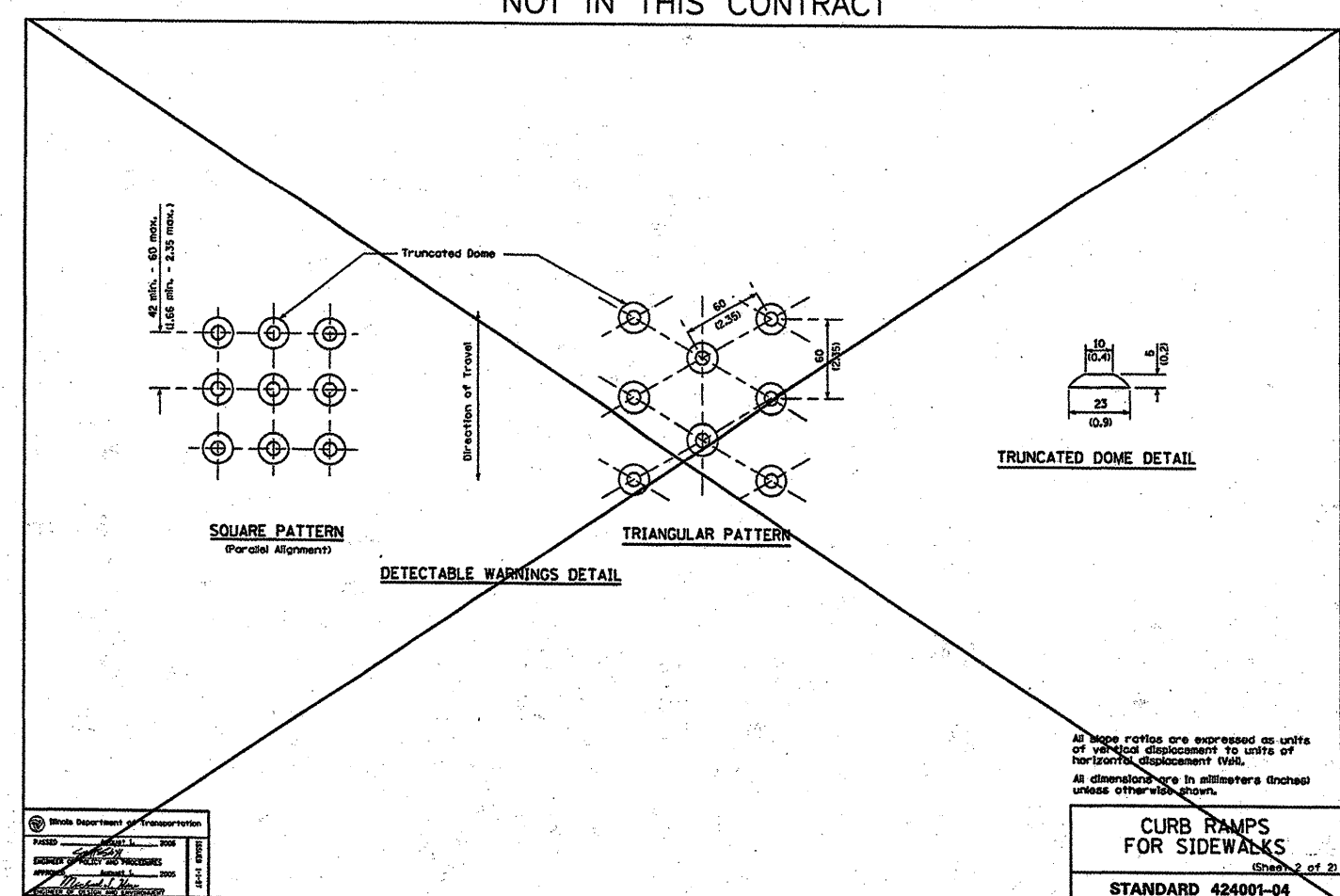


REQUIREMENTS AT START AND TERMINATION OF SLIPFORM PAVING
 N.T.S.



JOINTING AT SKEWED EDGE
 N.T.S.

NOT IN THIS CONTRACT



Illinois Department of Transportation
 PASSED 04/11/2008
 I.D.O.T. STANDARD 424001-04
 I.D.O.T. STANDARD 424001-04
 I.D.O.T. STANDARD 424001-04

CURB RAMPS FOR SIDEWALKS
 STANDARD 424001-04
 Sheet 2 of 2