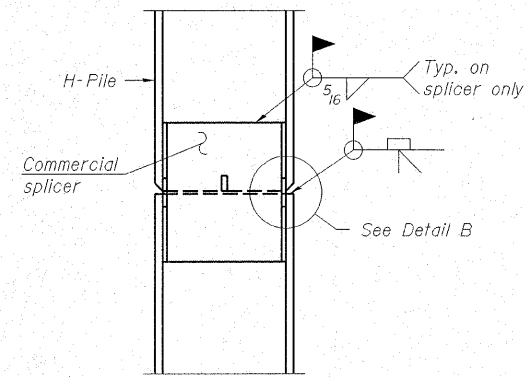
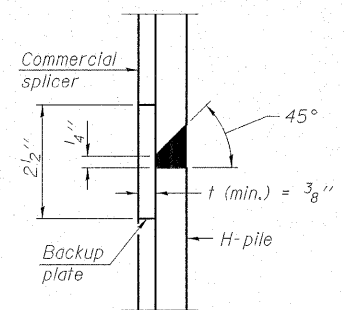


STEEL PILE TABLE

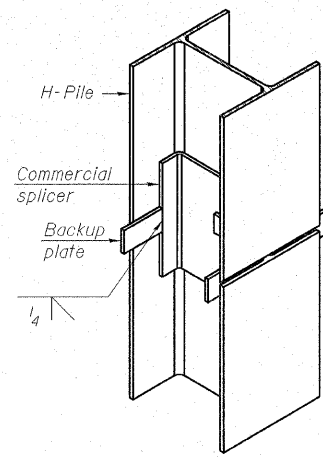
Designation	Depth d	Flange width b _f	Web and Flange thickness t	Encasement diameter A
HP 14x117	14 1/4"	14 7/8"	1 3/16"	30"
x102	14"	14 3/4"	1 1/16"	30"
x89	13 7/8"	14 3/4"	5/8"	30"
x73	13 5/8"	14 5/8"	1/2"	30"
HP 12x84	12 1/4"	12 1/4"	1 1/16"	24"
x74	12 1/8"	12 1/4"	5/8"	24"
x63	12"	12 1/8"	1/2"	24"
x53	11 3/4"	12"	7/16"	24"
HP 10x57	10"	10 1/4"	9/16"	24"
x42	9 3/4"	10 1/8"	7/16"	24"
HP 8x36	8"	8 1/8"	7/16"	18"



ELEVATION

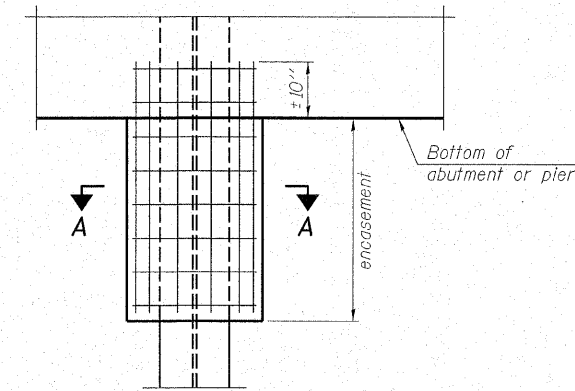


DETAIL "B"

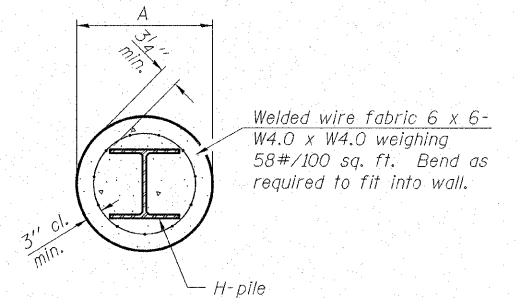


ISOMETRIC VIEW

WELDED COMMERCIAL SPLICE



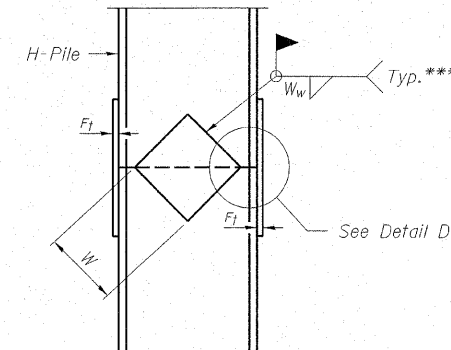
ELEVATION



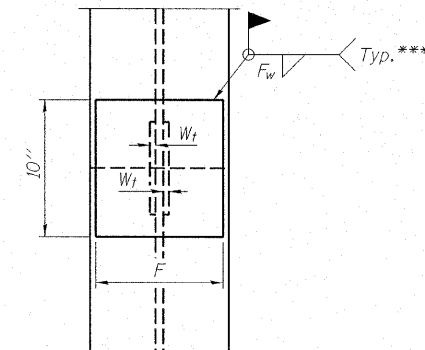
SECTION A-A

Note:
Forms for encasement may be omitted when soil conditions permit.

PILE ENCASEMENT



ELEVATION

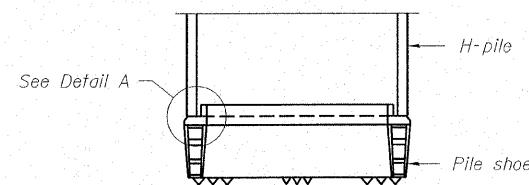


END VIEW

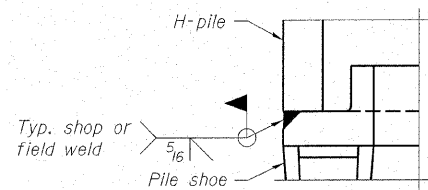
Designation	F	F _t	F _w	W	W _t	W _w
HP 14x117	12 1/2"	1"	7/8"	7 3/4"	5/8"	1/2"
x102	12 1/2"	7/8"	3/4"	7 3/4"	5/8"	1/2"
x89	12 1/2"	3/4"	1/2"	7 3/4"	5/8"	1/2"
x73	12 1/2"	5/8"	9/16"	7 3/4"	5/8"	1/2"
HP 12x84	10"	7/8"	1/2"	6 1/2"	5/8"	1/2"
x74	10"	7/8"	1/2"	6 1/2"	5/8"	1/2"
x63	10"	5/8"	1/2"	6 1/2"	1/2"	3/8"
x53	10"	5/8"	1/2"	6 1/2"	1/2"	3/8"
HP 10x57	8"	3/4"	9/16"	5 1/4"	1/2"	3/8"
x42	8"	5/8"	9/16"	5 1/4"	1/2"	3/8"
HP 8x36	7"	5/8"	7/16"	4 1/4"	1/2"	3/8"

Note:
The steel H-piles shall be according to AASHTO M270 Grade 50.

WELDED PLATE FIELD SPLICE

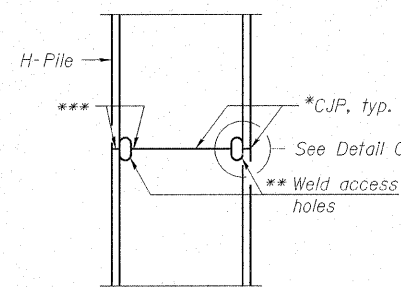


ELEVATION

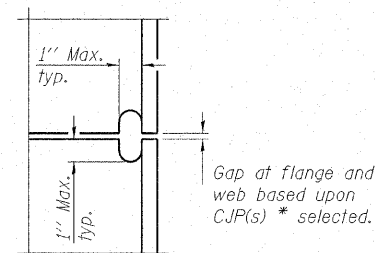


DETAIL A

H-PILE SHOE ATTACHMENT

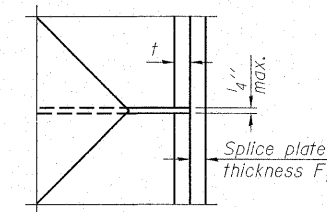


ELEVATION



DETAIL C

COMPLETE PENETRATION WELD SPLICE



DETAIL D

- * Use joint conforming to Figure 3.4 in AWS D1.1, Structure Welding Code - Steel.
- ** Preparation per Fig. 5.2 in AWS D1.1, Structure Welding Code - Steel.
- *** Interrupt welds 1/4" from end of each pile.

HAMPTON, LENZINI & RENWICK, INC.
 CIVIL & STRUCTURAL ENGINEERS
 LAND SURVEYORS

HLR

3085 STEVENSON DRIVE, SUITE 201
 SPRINGFIELD, ILLINOIS 62703
 (217) 546-3400

ELGIN • SPRINGFIELD

PROJECT NUMBER: 12-92-0008-1 DATE: 02/07/08
 DESIGNED: R.J.P. CHECKED: S.W.M. DRAWN: D.A.B.

STEEL H PILES
SECTION 06-00097-00-BR
C.H. 7 / MT. PLEASANT ROAD
UNION COUNTY
STRUCTURE NO. 091-3232 / STATION 10+00