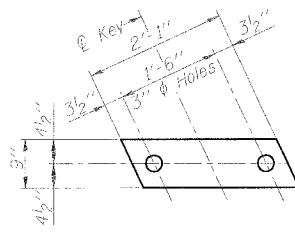
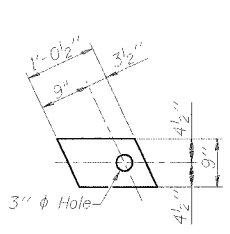


T.R. RTE.	SECTION	COUNTY	TOTAL SHEETS	SHEET NO.
50	05-03104-00-BR	JERSEY	12	5
CONTRACT NO. 97334				
FED. ROAD DIST. NO. - ILLINOIS FED. AID PROJECT				

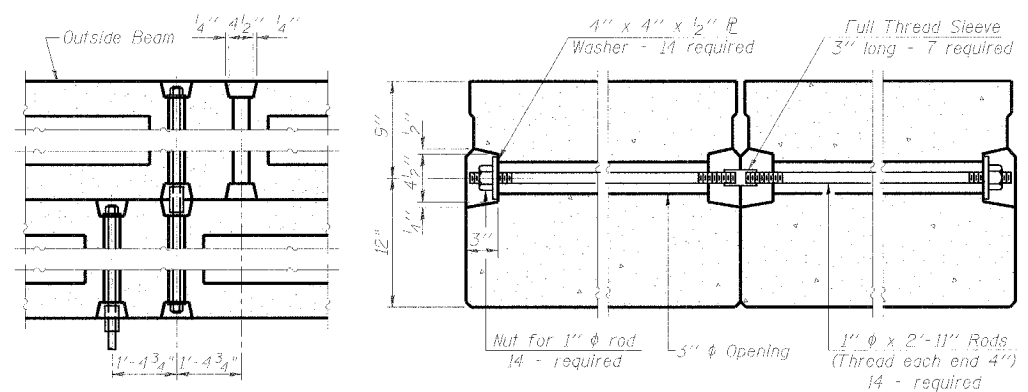


**FABRIC BEARING PAD**  
(Interior)  
(12 Required)

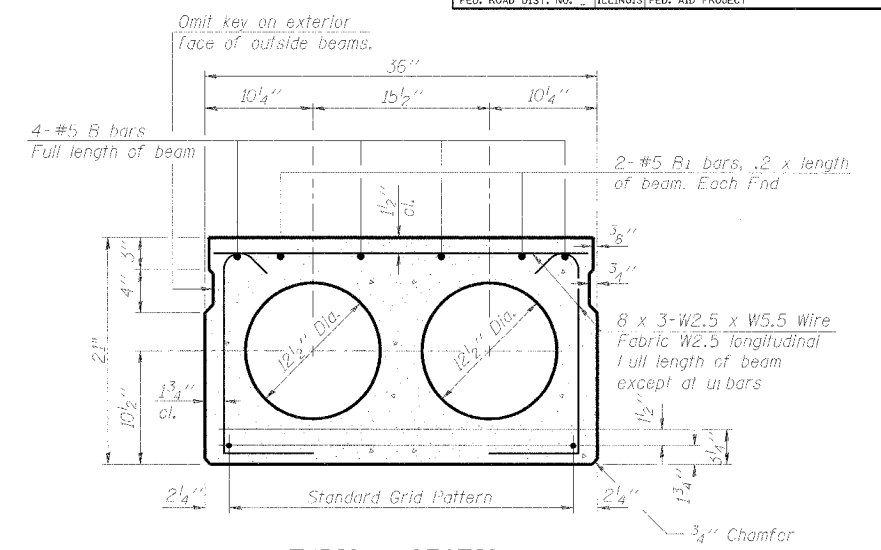


**FABRIC BEARING PAD**  
(Exterior)  
(8 Required)

**FIXED**



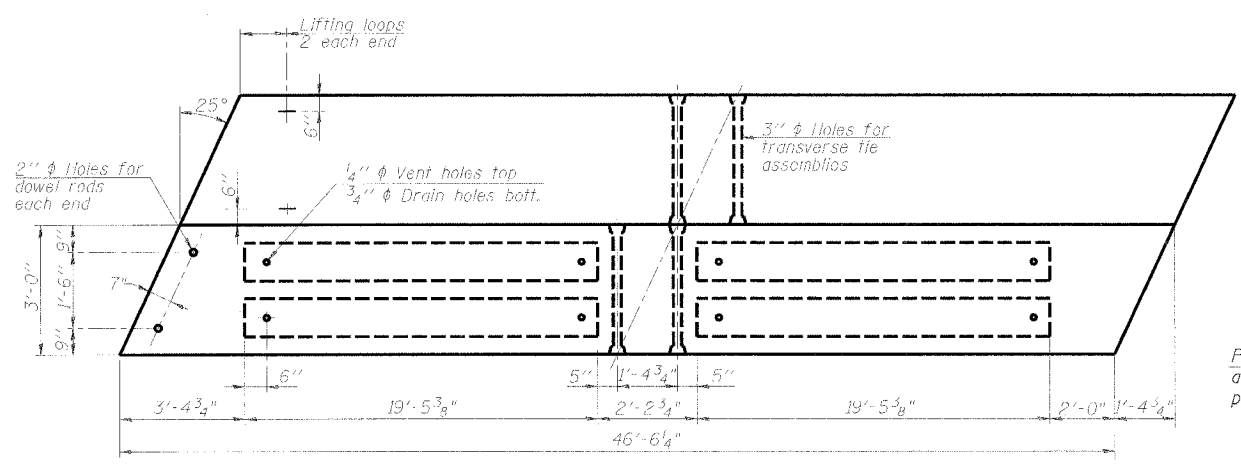
**TYPICAL TRANSVERSE TIE ASSEMBLY**



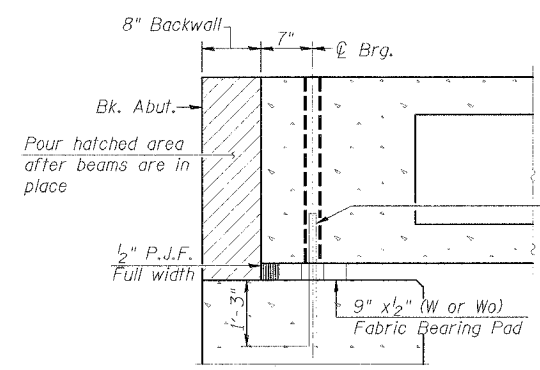
**TYPICAL SECTION**

14-1/2"  $\phi$  Strands, Each Strand Stressed to 30,900 Lbs.  
8-Strands 13/4" up, 4-Strands 3/4" up, 2-Strands 9" up

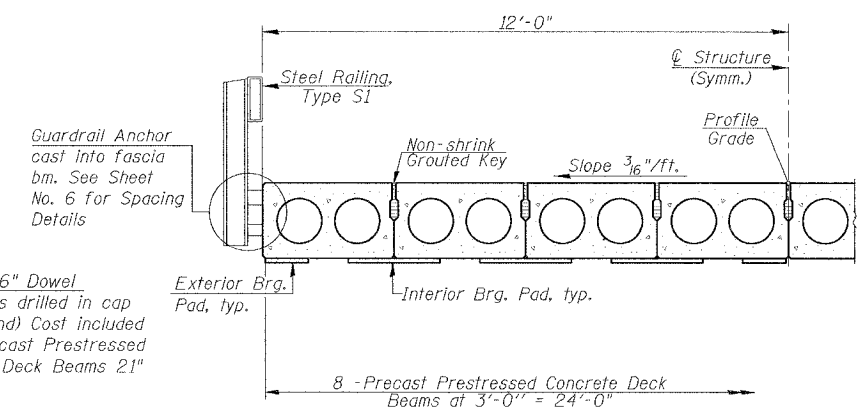
Notes:  
Place strands symmetrically about  $\phi$  of beam.



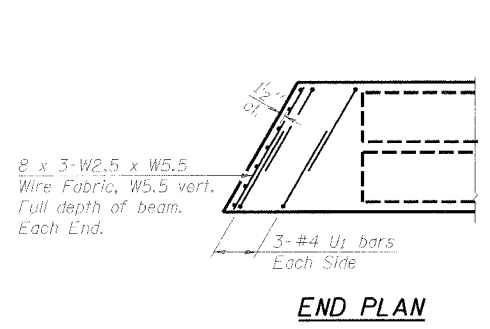
**PLAN**



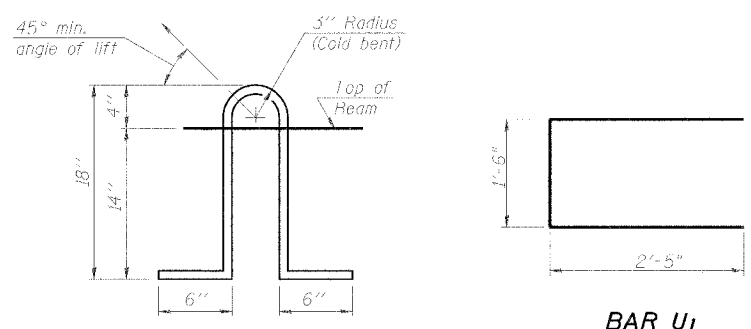
**SECTION THRU ABUTMENT**  
(At Right Angles)



**HALF CROSS SECTION**



**END PLAN**



**LIFTING LOOP DETAIL**

**BAR U1**

**NOTES**

Prestressing steel shall be uncoated high strength, low relaxation 7-wire strand, Grade 270. The nominal diameter shall be 1/2" and the nominal cross-sectional area shall be 0.153 sq. in. Lifting loops shall be 2 - 1/2"  $\phi$  270 ksi strands, as shown.  
The 1"  $\phi$  rods in the transverse tie assembly shall be tightened to a snug fit and the threads set. Pockets that receive transverse tie bar on outside shall be filled with grout after transverse tie assembly is in place.  
Non prestressing steel shall conform to ASTM A 706 (IL MOD), Grade 60.  
The bearing seat surfaces shall be adjusted by shimming to assure firm and even bearing. Two 1/8" fabric adjusting shims of the dimensions of the Exterior Bearing Pad shall be provided for each bearing.  
Keyway surfaces shall be cleaned to remove form oil or other bonding material prior to shipment of the beams. Cleaning shall be done by sandblasting the keyway areas between top of the beam and the bottom edge of the key.  
Corrosion Inhibitor, per Article 1020.05(b)(12) of the Standard Specifications, shall be used in the concrete for precast prestressed concrete deck beams.  
Required Release Strength, f'cl, shall be 4000 p.s.i.

**BILL OF MATERIAL**

Material	Sq. Ft.	1117
Precast Prestressed Conc. Deck Bms. (21" Depth)		

PD-3-L

11-1-06

FILE NAME =	USER NAME = #15CR#	DESIGNED	REVISED
PFIELD#		DRAWN	REVISED
	PLT SCALE = #SCALE#	CHECKED	REVISED
	PLT DATE = #DATE#	DATE	REVISED



**Allen Henderson & Associates, Inc.**  
Civil and Structural Engineers Springfield, IL.  
62703 Phone: (217)544-8033 IL Design Firm  
No. 184-001907

<b>SUPERSTRUCTURE</b>		
SCALE: VARIES	SHEET NO. 5 OF 12 SHEETS	STA. 1+40.00 TO STA. 5+10.00

T.R. RTE.	SECTION	COUNTY	TOTAL SHEETS	SHEET NO.
50	05-03104-00-BR	JERSEY	12	5
CONTRACT NO. 97334				
FED. ROAD DIST. NO. - ILLINOIS FED. AID PROJECT				