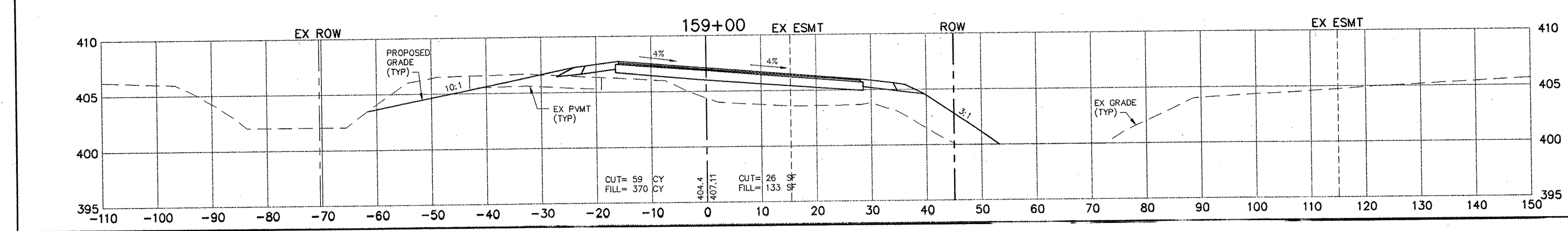
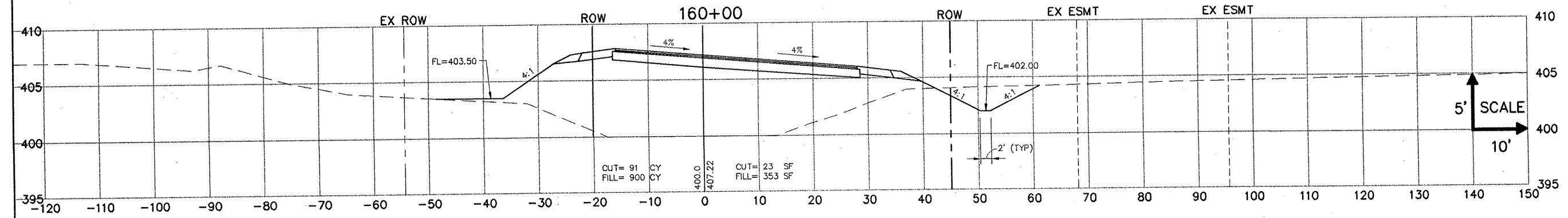
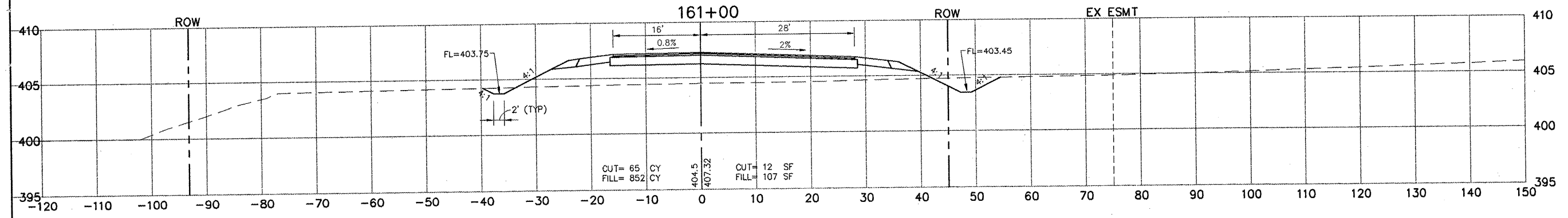
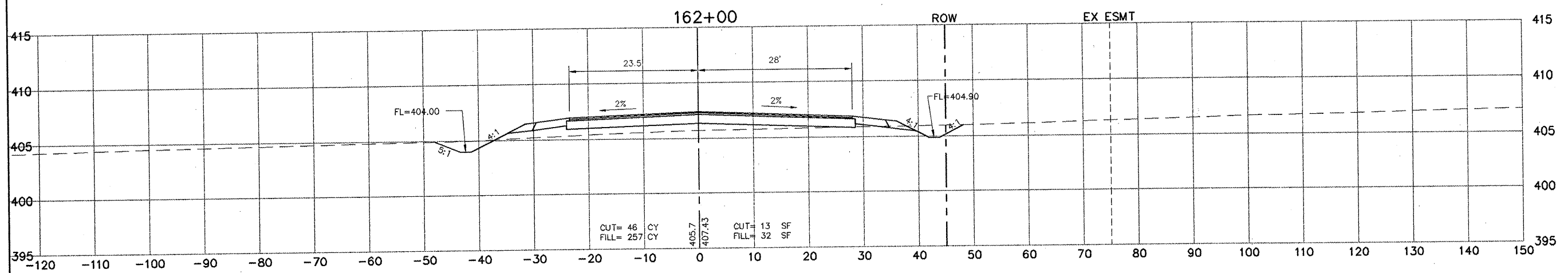
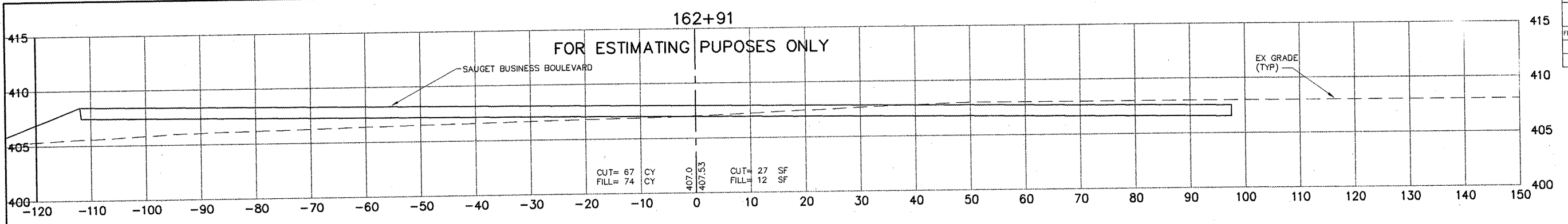


ROUTE NO.	SECTION	COUNTY	TOTAL SHEETS	SHEET NO.
99-00009	-01-FP	ST. CLAIR	69	69
FED. ROAD DIST. NO. 8		ILLINOIS	FED. AID PROJECT-	
CROSS SECTION				
CONTRACT NO. 97312				

SAUGET INDUSTRIAL PARKWAY



5' SCALE
10'

C:\SAUGET\171339-1.plt 4/10/2006 4:11:01 PM