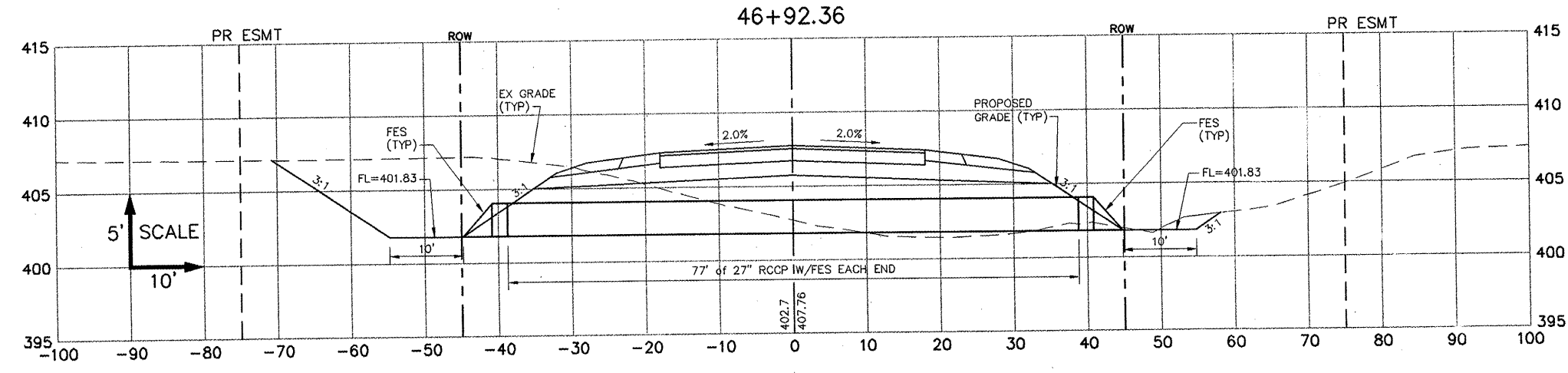
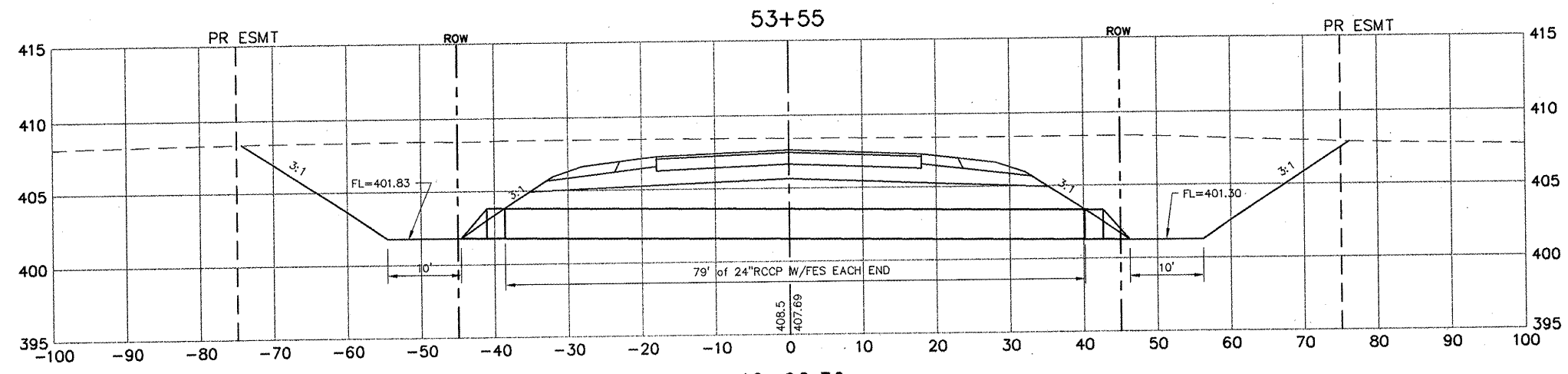
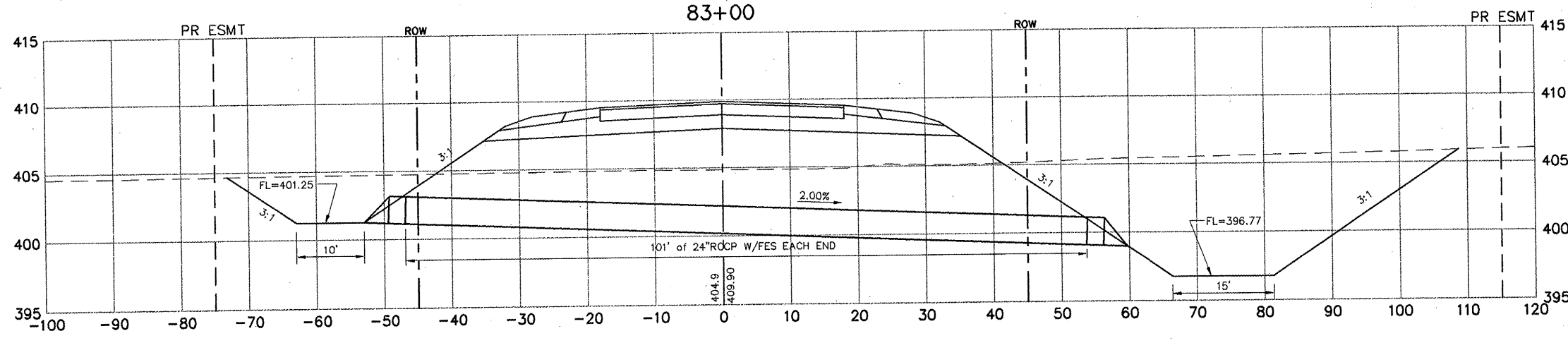
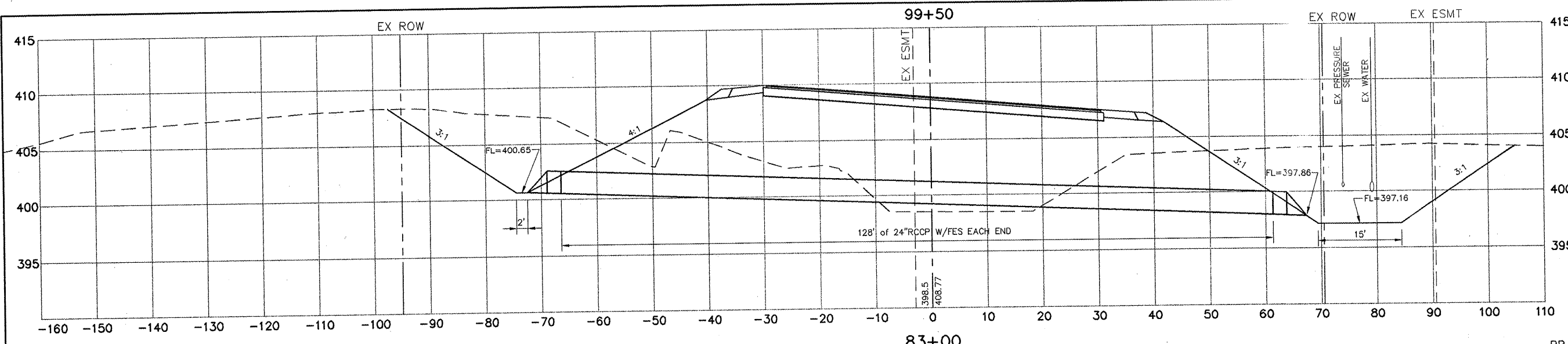


ROUTE NO.	SECTION	COUNTY	TOTAL SHEETS	SHEET NO.
99-00009	-01-FP	ST. CLAIR	69	41
FED. ROAD DIST. NO. 8 ILLINOIS FED. AID PROJECT- 9				
CULVERT CROSS SECTION				
CONTRACT NO. 97312				

SAUGET BUSINESS BOULEVARD



5' SCALE  
10'