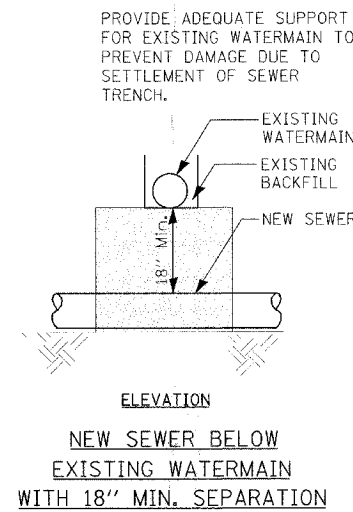


1
19 TRENCH BACKFILL FOR STORM SEWERS
5 FT DEEP AND LESS

2
19 TRENCH BACKFILL FOR STORM SEWERS
GREATER THAN 5 FT DEEP



ELEVATION
NEW SEWER BELOW
EXISTING WATERMAIN
WITH 18" MIN. SEPARATION

GENERAL NOTES

- TRENCH SIDES SHALL BE VERTICAL TO A POINT ONE (1) FOOT ABOVE THE TOP OF THE PIPE, SLOPED SIDES MAY BE USED ABOVE THIS POINT.
- THIS WORK SHALL BE PAID FOR AS TRENCH BACKFILL IN ACCORDANCE WITH SECTION 208 OF THE STANDARD SPECIFICATIONS.

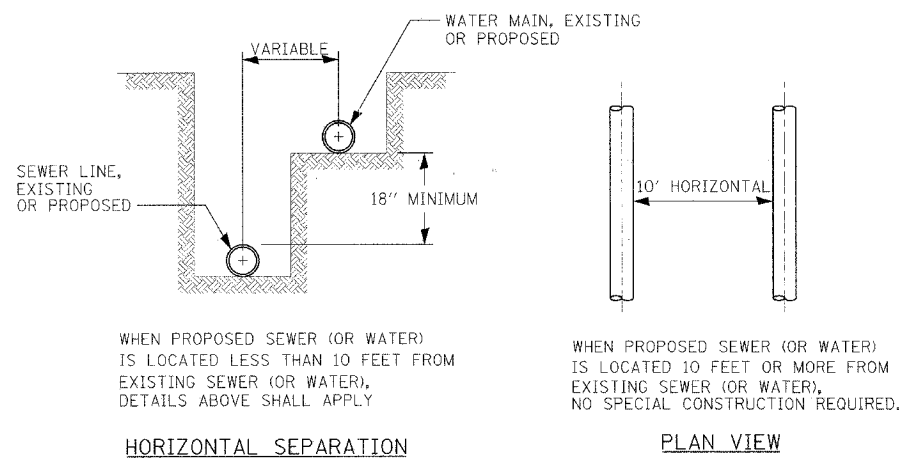
OMIT SELECT GRANULAR EMBEDMENT AND GRANULAR BACKFILL TO ONE (1) FOOT OVER TOP OF SEWER AND USE SELECT EXCAVATED MATERIAL (CLASS IV) AND COMPACT FOR "S" FEET ON EACH SIDE OF WATERMAIN.

CONSTRUCT "L" FEET OF NEW SEWER OF WATER MAIN MATERIAL AND PRESSURE TEST, OR; USE "L" FEET OF WATERMAIN MATERIAL FOR CASING OF NEW SEWER AND SEAL ENDS OF CASING.

PROVIDE ADEQUATE SUPPORT FOR EXISTING WATERMAIN TO PREVENT DAMAGE DUE TO SETTLEMENT OF SEWER TRENCH.

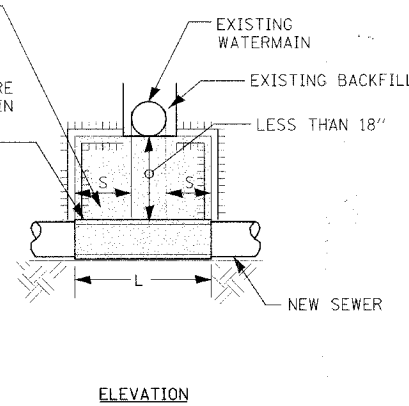
NOTE: "S" THE LENGTH NECESSARY TO PROVIDE 10 FEET SEPARATION AS MEASURED PERPENDICULAR TO EXISTING WATERMAIN.

NOTE: "S" THE LENGTH NECESSARY TO PROVIDE 10 FEET OF SEPARATION AS MEASURED PERPENDICULAR TO EXISTING WATERMAIN.

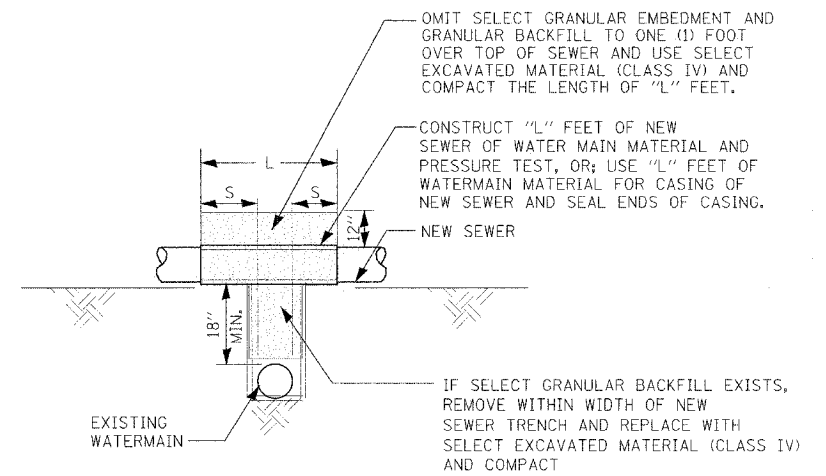


HORIZONTAL SEPARATION

PLAN VIEW



ELEVATION
NEW SEWER BELOW
EXISTING WATERMAIN WITH
LESS THAN 18" MIN. SEPARATION



ELEVATION
NEW SEWER ABOVE
EXISTING WATERMAIN WITH 18" MIN. SEPARATION

3
19 WATERMAIN AND SEWER SEPARATION DETAILS

4
19 WATERMAIN AND SEWER SEPARATION DETAILS

PLOT NAME - X:\CIVIL\2007\07\08\A\CAD\PLANS\Visc.dwg\mes.d1.dgn

USER NAME = BUSERE	DESIGNED -	REVISED -
PLT SCALE = 4/5CAL#	DRAWN -	REVISED -
PLT DATE = 07/31/2008	CHECKED -	REVISED -
	DATE -	REVISED -

STATE OF ILLINOIS
DEPARTMENT OF TRANSPORTATION

MISCELLANEOUS
DETAILS

SCALE: SHEET NO. OF SHEETS STA. TO STA.

F.A. RTE.	SECTION	COUNTY	TOTAL SHEET
N/A	02-00066-00-PV	CUMBERLAND	32
FED. ROAD DIST. NO. ILLINOIS FED. AID PROJECT			SHEET NO. 19
CONTRACT NO. 95553			