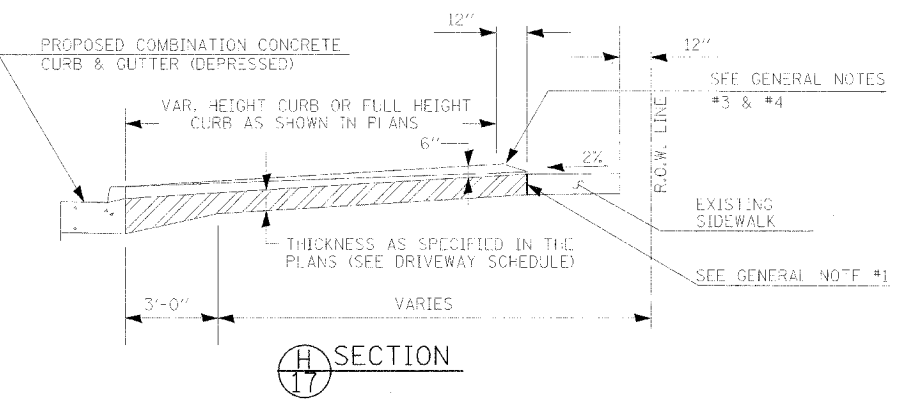


NOTE:  
THE ENTRANCE WIDTHS SHOWN ON THE PLANS SHALL BE INTERPRETED TO BE THE WIDTHS AT THE COMPLETED RADIUS WHICH MAY BE LOCATED BEHIND THE R.O.W. LINE



1/17 ENTRANCE DETAIL WITHOUT SIDEWALK

2/17 ALLEY ENTRANCE DETAIL

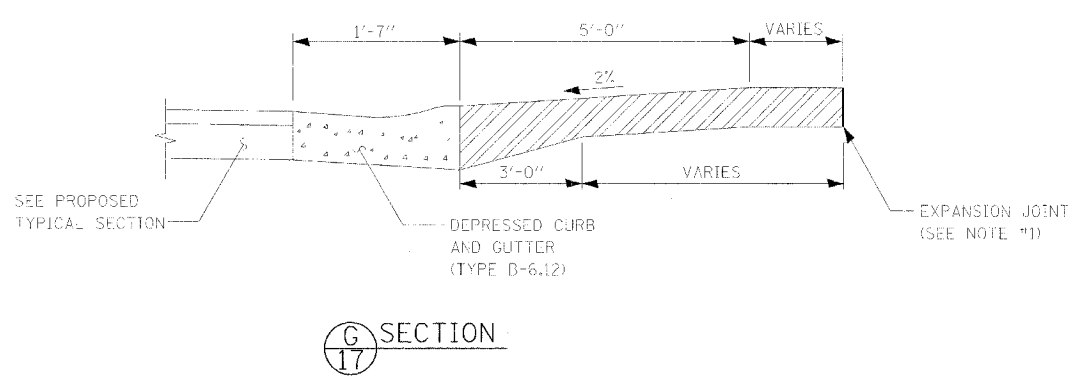
H SECTION

LEGEND

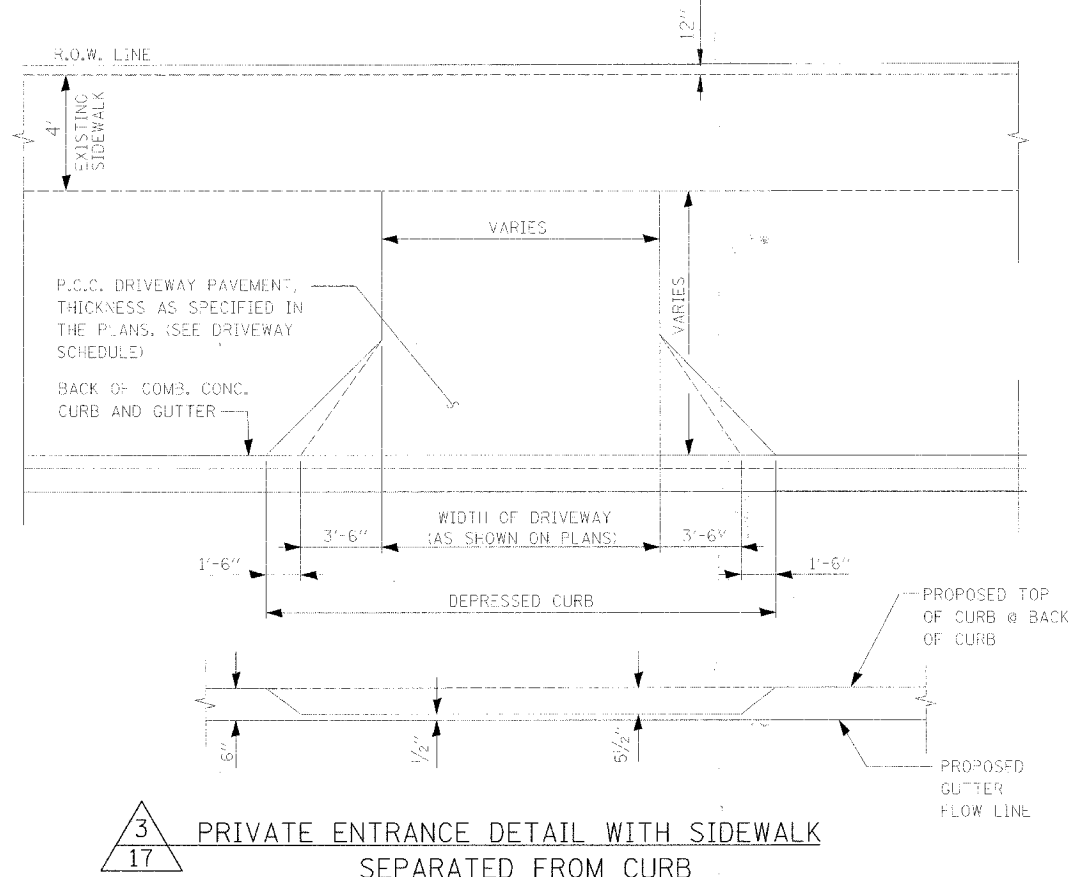
- LONGITUDINAL CURB EXPANSION JOINT
- ▨ PROPOSED P.C.C. DRIVEWAY PAVEMENT

GENERAL NOTES

- (ENTRANCES)
1. THIS EXPANSION JOINT SHALL BE PLACED ONLY WHERE THE PROPOSED P.C. CONCRETE DRIVEWAY PAVEMENT MEETS AN EXISTING CONCRETE ENTRANCE OR SIDEWALK.
  2. THE LONGITUDINAL EXPANSION JOINT SHALL CONFORM TO SECTION 420.05 OF THE STANDARD SPECS.
  3. DRIVEWAYS THAT WILL MEET EXISTING OR PROPOSED CURB NEAR THE R.O.W. LINE SHALL HAVE THE CURB CONSTRUCTED FULL HEIGHT TO THE R.O.W. LINE.
  4. DRIVEWAYS THAT WILL BE CONSTRUCTED WITH FULL HEIGHT CURBS NEAR THE R.O.W. LINE SHALL HAVE THE CURB SLOPED AS SHOWN ABOVE.
  5. THE ENTRANCE GRADES WILL BE AS SHOWN ON THE STATION CROSS SECTIONS AND AS DIRECTED BY THE ENGINEER.
  6. BEFORE A CHANGE ON THE METHOD OF CONSTRUCTION IS ALLOWED, THE REQUEST SHALL BE SUBMITTED IN WRITING AND MUST BE APPROVED BY THE ENGINEER.
  7. THE VARIABLE HEIGHT CURB ADJACENT TO THE P.C. CONCRETE DRIVEWAY PAVEMENT SHALL BE CONSTRUCTED MONOLITHIC WITH AND INCLUDED IN THE AREA OF THE P.C. CONCRETE DRIVEWAY PAVEMENT OF THE THICKNESS SPECIFIED IN THE PLANS. THIS WORK WILL BE PAID FOR AT THE CONTRACT UNIT PRICE PER SQ.YD. FOR P.C. CONCRETE DRIVEWAY PAVEMENT OF THE THICKNESS SPECIFIED IN THE PLANS, INCLUDING THE MONOLITHIC CURBS AS SPECIFIED, THE LONGITUDINAL CURB EXPANSION JOINTS, AND THE ADDITIONAL THICKNESS REQUIRED ADJACENT TO THE DEPRESSIONED COMBINATION CONCRETE CURB AND GUTTER, AND NO ADDITIONAL COMPENSATION WILL BE ALLOWED.



G SECTION



3/17 PRIVATE ENTRANCE DETAIL WITH SIDEWALK SEPARATED FROM CURB

FILE NAME = X:\G:\1E\2007\07n004\CAD\PLANS\Misc.dct\entrance.dwg

USER NAME = #USER#	DESIGNED -	REVISED -
PLDT SCALE = #SCALE#	DRAWN -	REVISED -
PLDT DATE = 3/31/2009	CHECKED -	REVISED -
	DATE -	REVISED -

STATE OF ILLINOIS  
DEPARTMENT OF TRANSPORTATION

MISCELLANEOUS  
DETAILS

SCALE: SHEET NO. OF SHEETS STA. TO STA.

F.A. RTE.	SECTION	COUNTY	TOTAL SHEETS	SHEET NO.
N/A	02-00066-00-PV	CUMBERLAND	32	17
CONTRACT NO. 95553				
FED. ROAD DIST. NO. ILLINOIS FED. AID PROJECT				