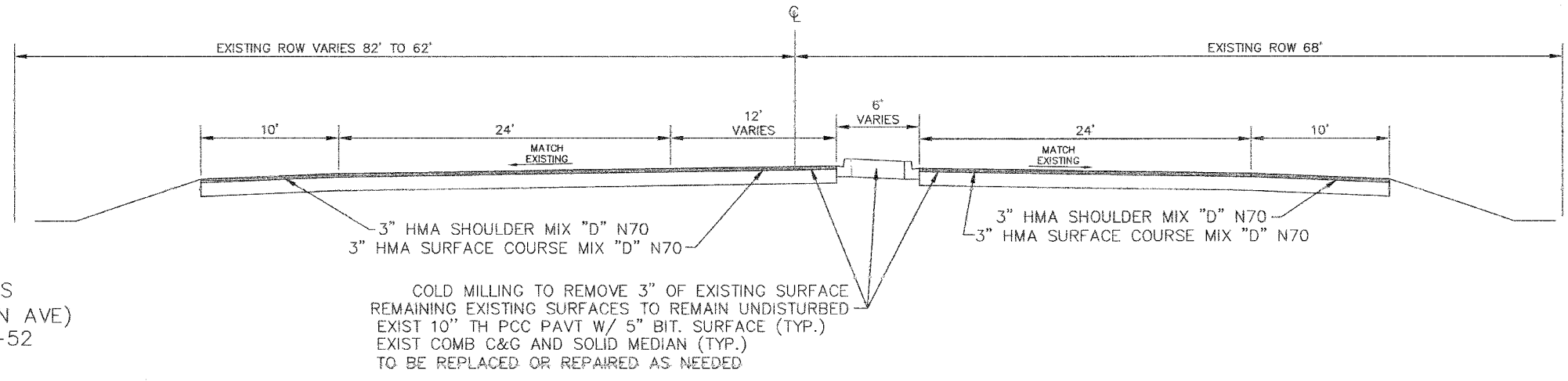
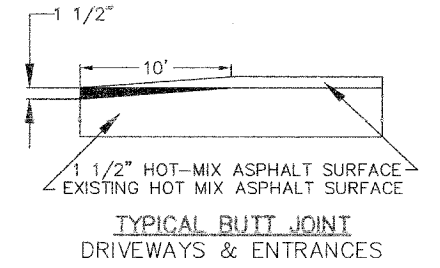


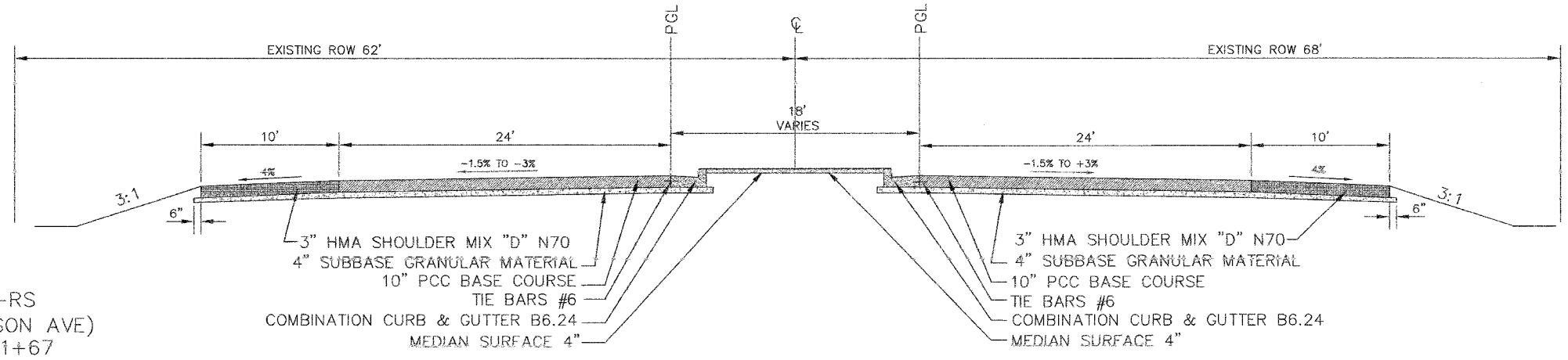
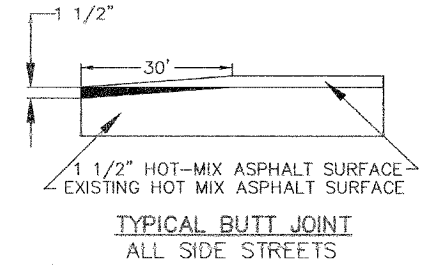
SECTION 04-00355-00-RS  
COUNTY HIGHWAY 43 (HARRISON AVE)  
STA. 287+91 TO STA. 292+58

COLD MILLING TO REMOVE 3" OF EXISTING SURFACE  
REMAINING EXISTING SURFACES TO REMAIN UNDISTURBED  
EXIST 10" TH PCC PAVT W/ 5" BIT. SURFACE (TYP.)  
EXIST COMB C&G AND 4" MEDIAN SURFACE (TYP.)  
TO BE REPLACED OR REPAIRED AS NEEDED



SECTION 04-00355-00-RS  
COUNTY HIGHWAY 43 (HARRISON AVE)  
STA. 292+58 TO STA. 320+52

COLD MILLING TO REMOVE 3" OF EXISTING SURFACE  
REMAINING EXISTING SURFACES TO REMAIN UNDISTURBED  
EXIST 10" TH PCC PAVT W/ 5" BIT. SURFACE (TYP.)  
EXIST COMB C&G AND SOLID MEDIAN (TYP.)  
TO BE REPLACED OR REPAIRED AS NEEDED



SECTION 04-00355-00-RS  
COUNTY HIGHWAY 43 (HARRISON AVE)  
STA. 320+52 TO STA. 321+67

COLD MILLING TO REMOVE 3" OF EXISTING SURFACE  
REMAINING EXISTING SURFACES TO REMAIN UNDISTURBED  
EXIST 10" TH PCC PAVT W/ 5" BIT. SURFACE (TYP.)  
EXIST COMB C&G AND SOLID MEDIAN (TYP.)  
TO BE REPLACED OR REPAIRED AS NEEDED