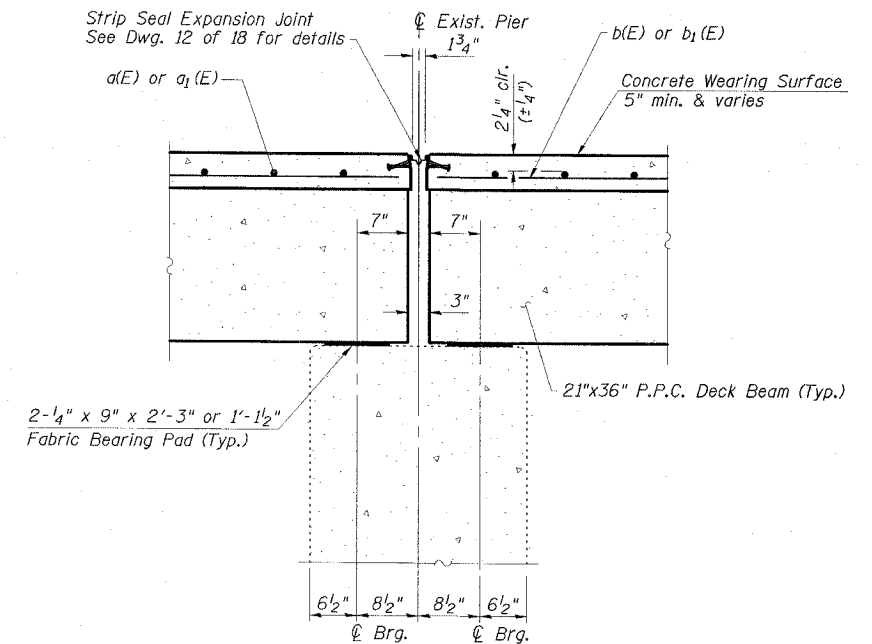
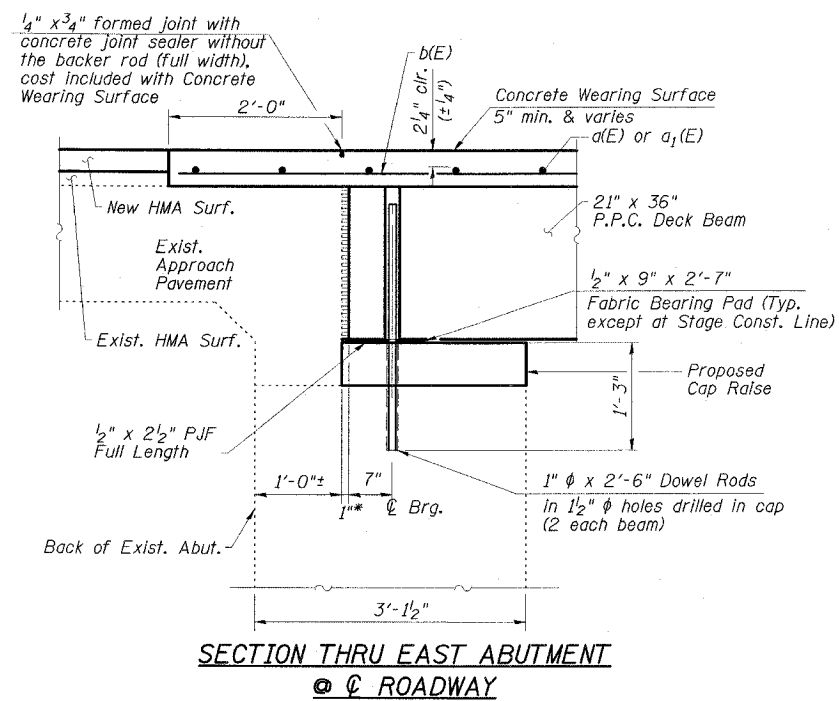
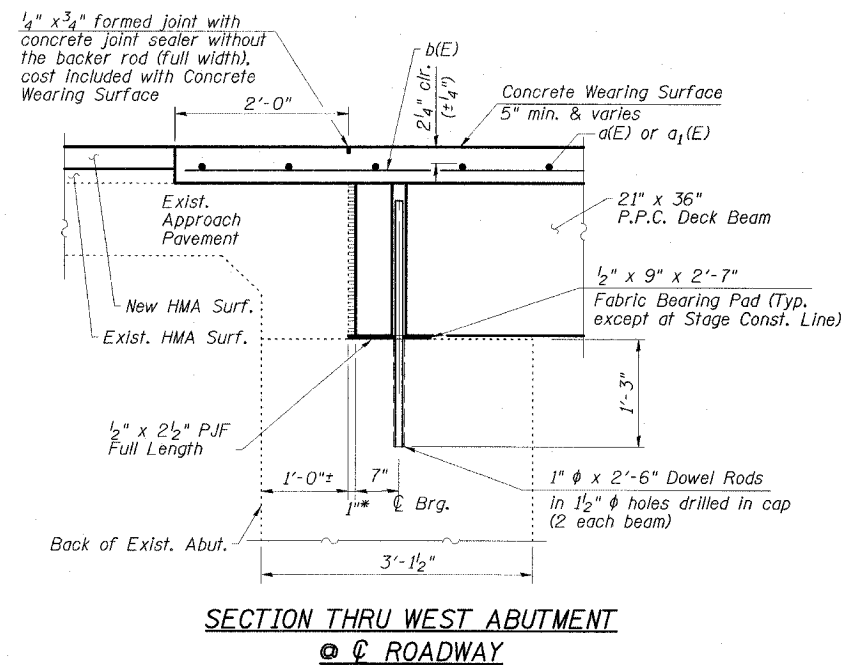
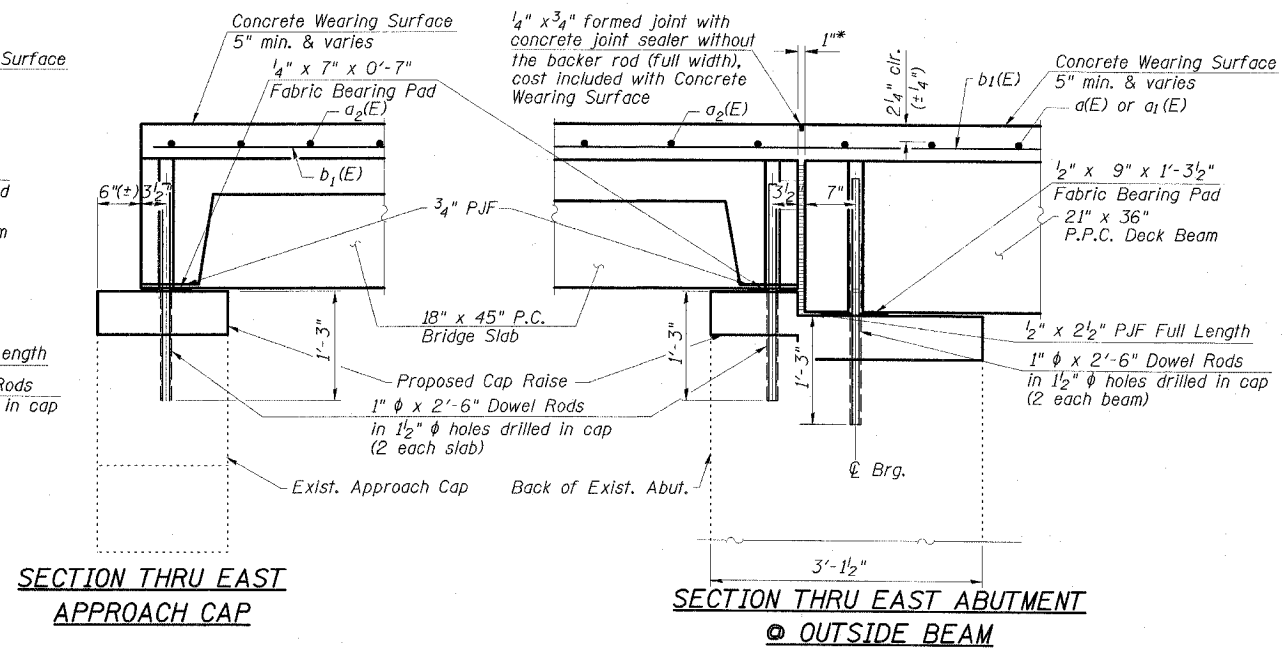
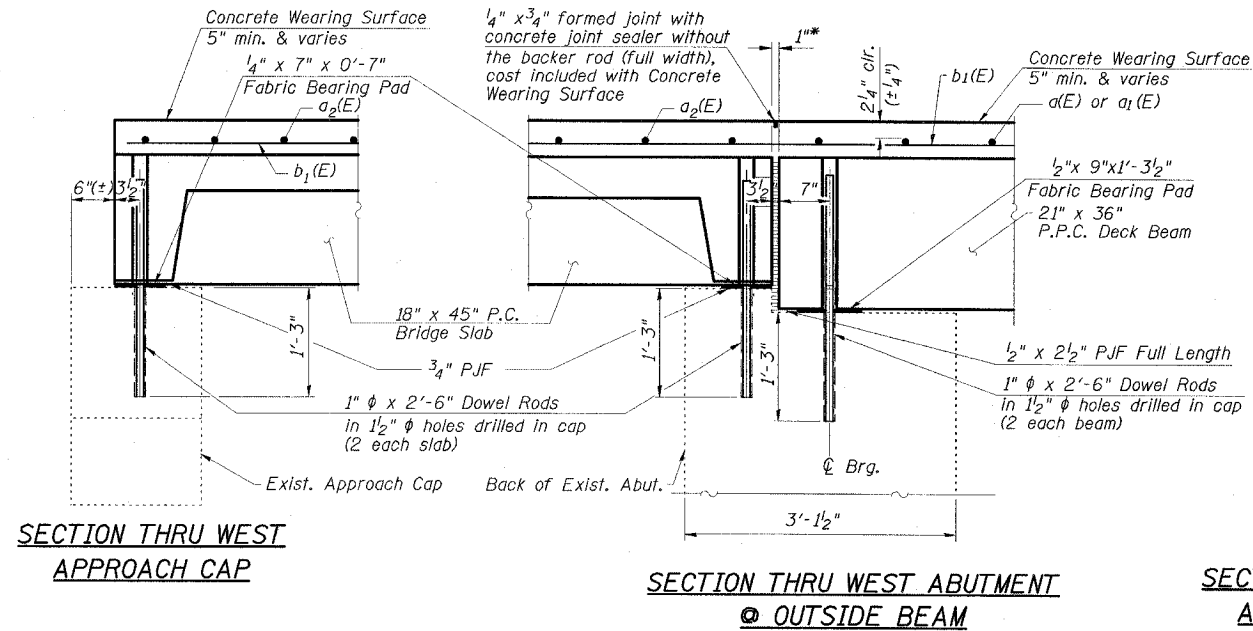


STATE OF ILLINOIS  
DEPARTMENT OF TRANSPORTATION

ROUTE NO. FAS 899	SECTION BBR-2	COUNTY SALINE	SHEET NO. 75	SHEET 44	SHEET NO. 9 18 SHEETS
FED. ROAD DIST. NO. 4		ILLINOIS	FED. AID PROJECT		

78028



\* Joint shall be filled w/non-shrink grout, 1" dimension may vary to meet field conditions, cost included in PPC Deck Beams.

**ESCA**  
CONSULTANTS, INC.

DESIGNED BY:	JMS	10/07
DRAWN BY:	CJ/HAS	10/07
CHECKED BY:	DAJ/ELH	01/08
APPROVED BY:	RDP	01/08

**SUPERSTRUCTURE AND APPROACH DETAILS**  
OLD IL 13 OVER BANKSTON FORK  
FAS ROUTE 899 - SECTION 8BR-2  
SALINE COUNTY  
STATION 802+60.00  
STRUCTURE NO. 083-0036