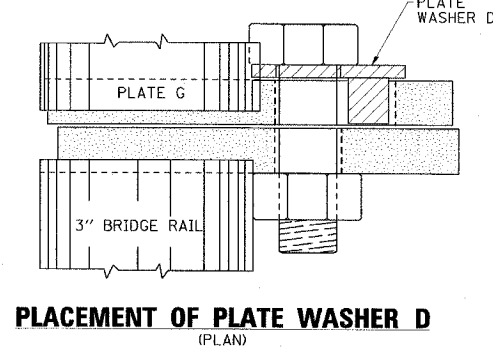
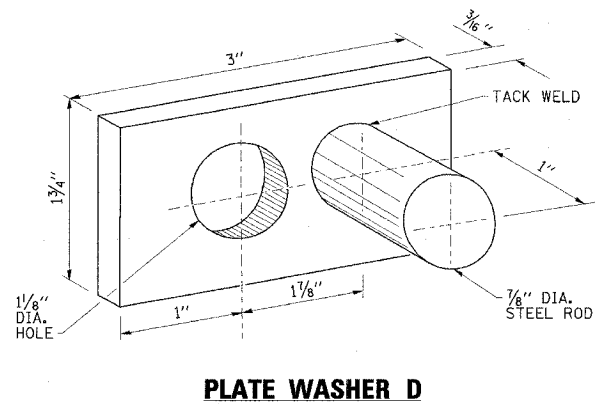
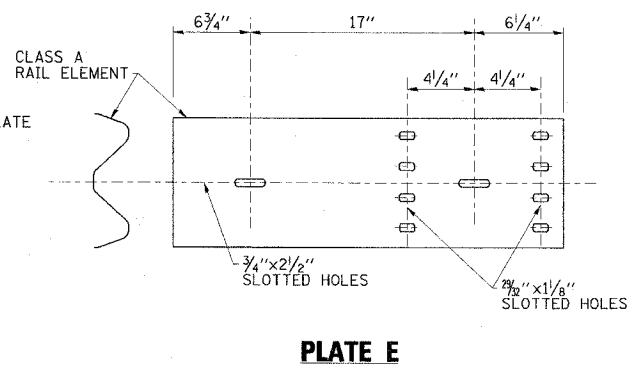
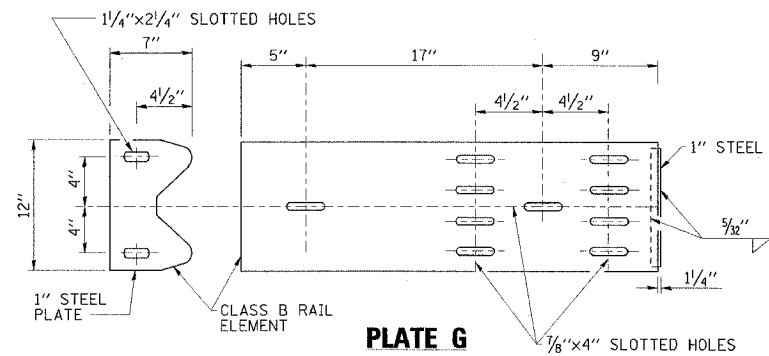
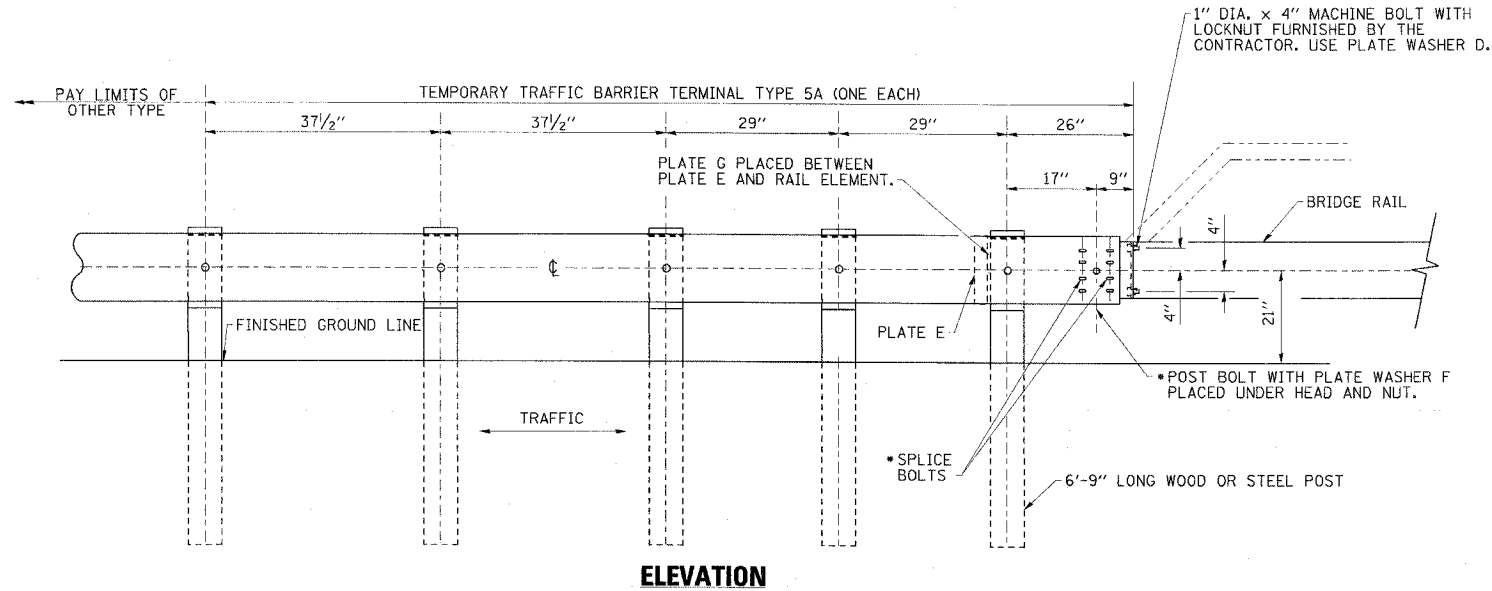


FAS RTE	SECTION	COUNTY	TOTAL SHEETS	SHEET NO.
899		SALINE	75	15
STA.		TO STA.		
FED. ROAD DIST. NO.		ILLINOIS FED. AID PROJECT		
*8BR-1, 8BR-2				



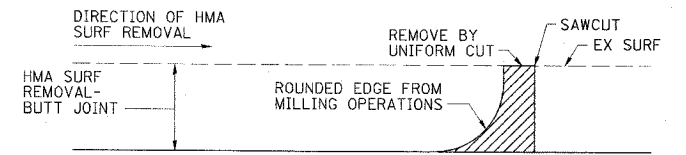
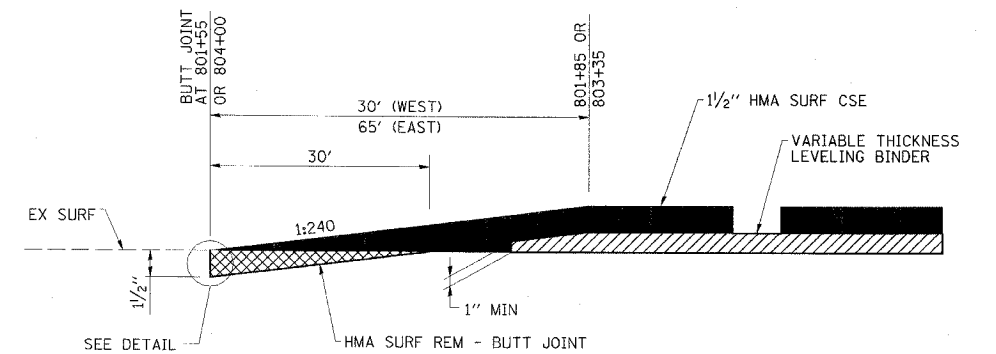
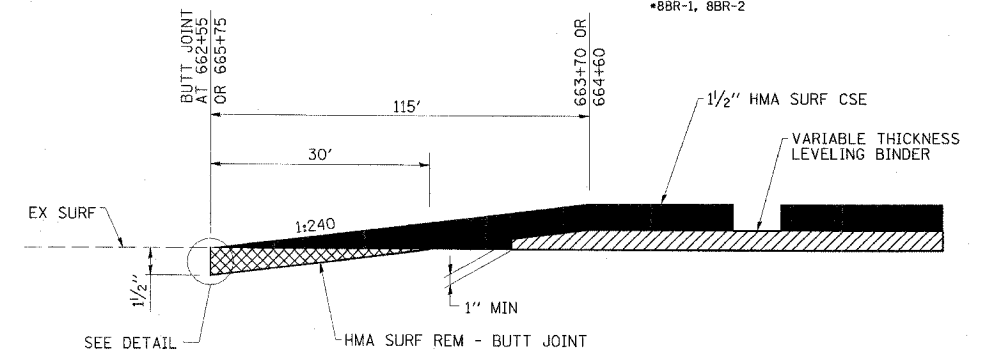
**GENERAL NOTES**

INSTALL PLATE WASHER D SO THAT THE 1" PROJECTION FILLS THE REMAINDER OF THE SLOTTED HOLES IN THE 1" END PLATE ON PLATE G AFTER THE 1" DIA. BOLTS ARE IN PLACE.

\* BOLTS SHALL BE PROVIDED WITH LOCKNUT OR DOUBLE NUT AND SHALL BE TIGHTENED ONLY TO A POINT THAT WILL ALLOW PLATE G TO BE FREE TO MOVE WHEN AN EXPANSION JOINT EXISTS BELOW THE CONNECTOR.

SEE STANDARD 630001 FOR DETAILS OF GUARDRAIL NOT SHOWN.

**TEMPORARY TRAFFIC BARRIER TERMINAL TYPE 5A**



**NOTE:** WHEN MILLING OPERATIONS PRODUCE A ROUNDED EDGE, THEN A SAWCUT SHALL BE USED TO MANUFACTURE A PERPENDICULAR EDGE AS SHOWN IN THE DETAIL. THE COST OF ALL WORK SHOWN IN THE DETAIL IS INCLUDED IN HOT-MIX ASPHALT SURFACE REMOVAL - BUTT JOINT. THE ENGINEER SHALL BE THE SOLE JUDGE CONCERNING THE USE OF THIS DETAIL.

**ESCA**  
CONSULTANTS, INC.

DESIGNED BY:	JMS	11/07
DRAWN BY:	KAH	11/07
CHECKED BY:	MTD	01/08
APPROVED BY:	RDP	02/08

MISCELLANEOUS DETAILS  
FAS RTE 899 (OLD IL 13)  
SECTION 8BR-1, 8BR-2  
SALINE COUNTY