

STATE OF ILLINOIS  
DEPARTMENT OF TRANSPORTATION

ROUTE NO.	SECTION	COUNTY	TOTAL SHEETS	SHEET NO.	SHEET NO. 25 28 SHEETS
F.A.P. 304	5BR-2	CALHOUN	68	49	
FED. ROAD DIST. NO. 7	ILLINOIS		FED. AID PROJECT		

Contract #76948

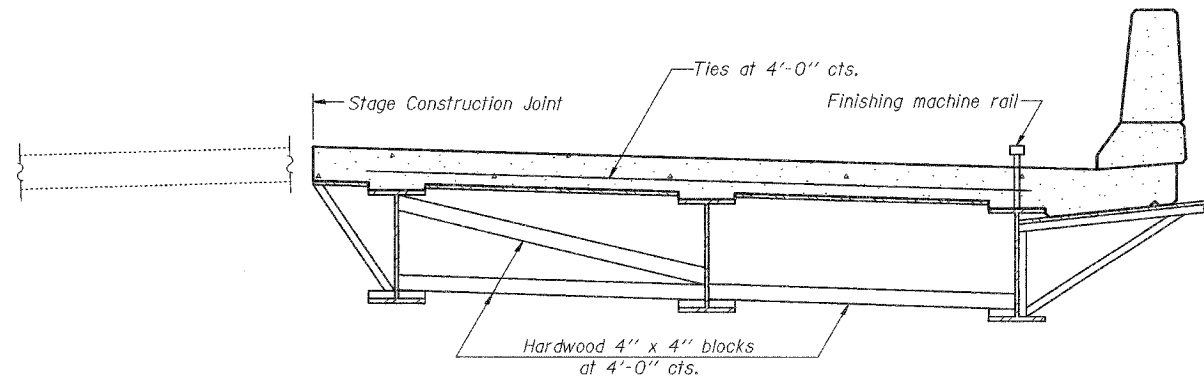
When cantilever forming brackets are used, the work shall be done according to Article 503.06(b) of the Standard Specifications, except as modified below and in the details shown on this sheet.

The finishing machine rails shall be placed on the top flange of the exterior beams.

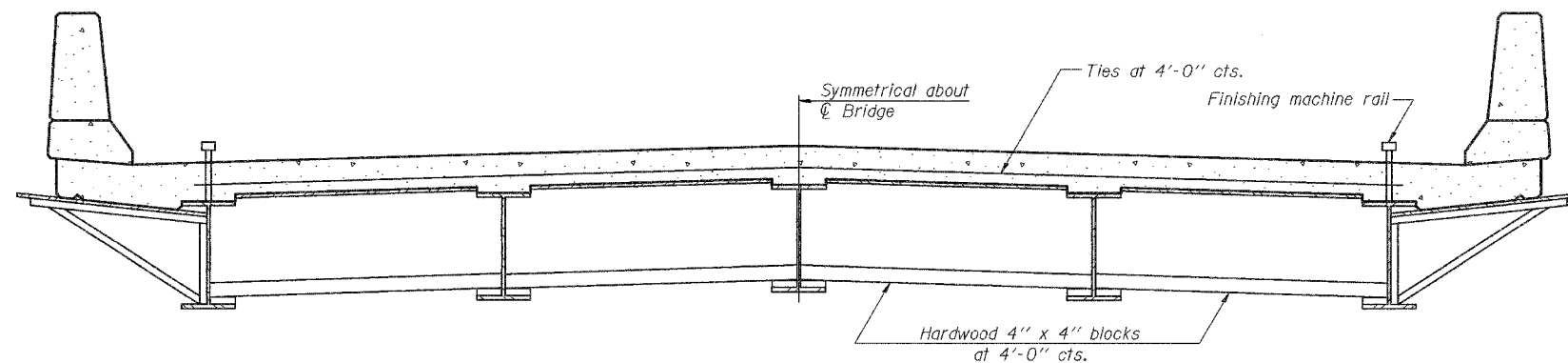
The beams or girders, supporting cantilever forming brackets, shall be tied together at 4 foot intervals.

For Standard construction, or Stage Construction the Hardwood bracing materials shall be placed as shown between webs of beams in each bay.

See Sheet No. 4 of 28 for Stage Construction Details.



**FORM BRACES FOR  
STAGE CONSTRUCTION**



**FORM BRACES FOR  
STANDARD CONSTRUCTION**

DESIGNED	YSS
CHECKED	RLM
DRAWN	PRC
CHECKED	RLM



SB-1

11-1-06

**CANTILEVER FORMING BRACKETS  
FOR SUPERSTRUCTURE  
IL. ROUTE 100 OVER  
CRAWFORD CREEK  
F.A.P. ROUTE 304 - SECTION 5BR-2  
CALHOUN COUNTY  
STATION 467+59.00  
STRUCTURE NO. 007-0027**