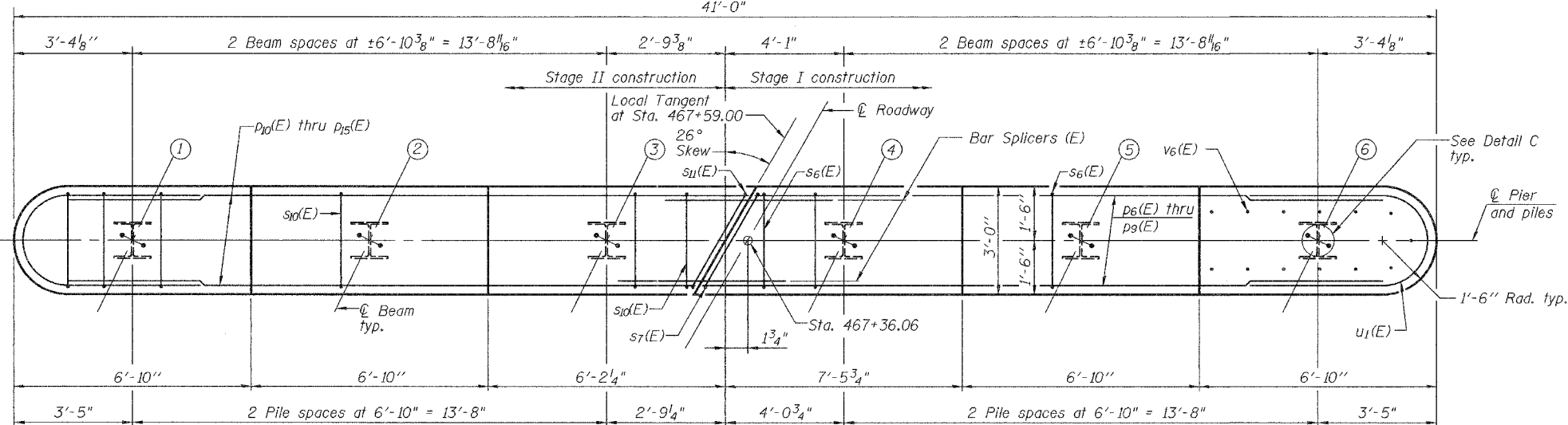
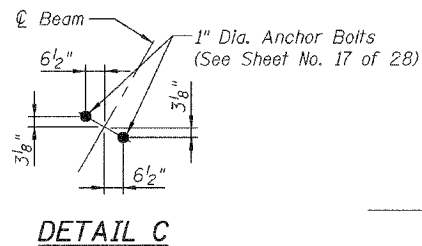


STATE OF ILLINOIS  
DEPARTMENT OF TRANSPORTATION  
41'-0"

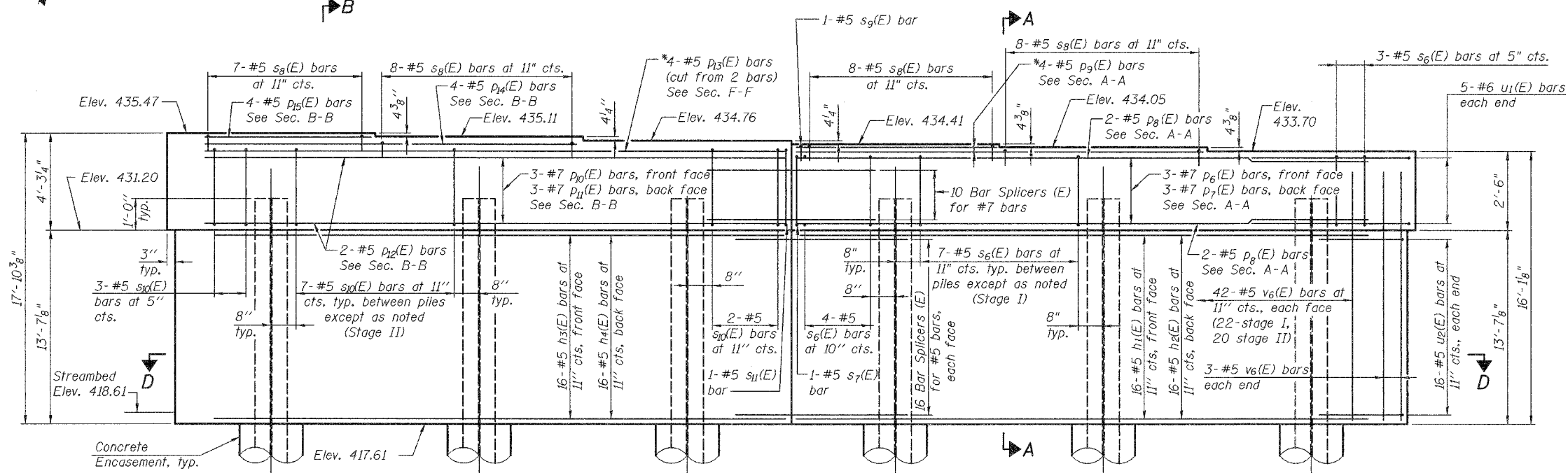
ROUTE NO. F.A.P. 304	SECTION 5BR-2	COUNTY CALHOUN	TOTAL SHEETS 68	SHEET NO. 44	SHEET NO. 20 28 SHEETS
FED. ROAD DIST. NO. 7		ILLINOIS		FED. AID PROJECT	

Contract #76948

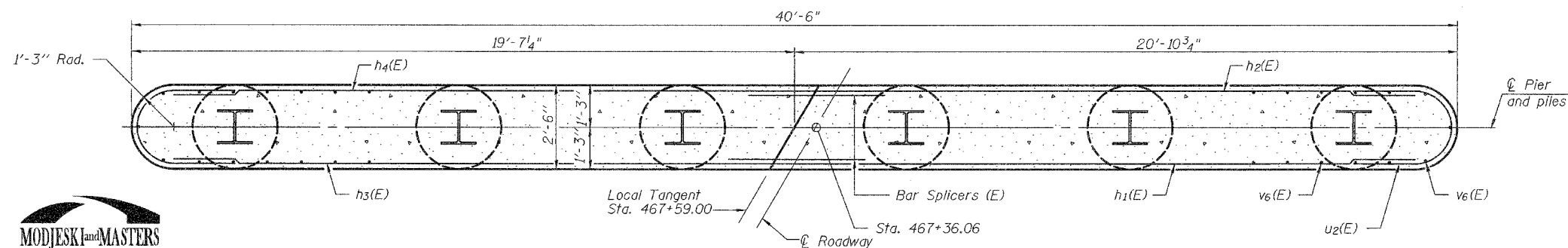
Notes:  
Pour steps monolithically with cap.  
Space reinforcement in cap to miss anchor bolts.



TOP PLAN  
(s8(E) and s9(E) not shown for clarity)



ELEVATION  
(Looking North)



SECTION D-D

BILL OF MATERIAL

Bar	No.	Size	Length	Shape
h1(E)	16	#5	20'-0"	
h2(E)	16	#5	19'-0"	
h3(E)	16	#5	17'-9"	
h4(E)	16	#5	18'-9"	
p6(E)	3	#7	20'-1"	
p7(E)	3	#7	18'-11"	
p8(E)	4	#7	19'-4"	
p9(E)	*4	#5	21'-4"	
p10(E)	3	#7	17'-7"	
p11(E)	3	#7	18'-10"	
p12(E)	4	#7	18'-0"	
p13(E)	*2	#5	36'-5"	
p14(E)	4	#5	12'-1"	
p15(E)	4	#5	5'-3"	
s6(E)	21	#5	10'-7"	
s7(E)	1	#5	11'-3"	
s8(E)	31	#5	7'-0"	
s9(E)	1	#5	7'-4"	
s10(E)	19	#5	12'-9"	
s11(E)	1	#5	13'-5"	
u1(E)	10	#6	11'-1"	
u2(E)	32	#5	10'-7"	
v6(E)	90	#5	15'-1"	
Structure Excavation	Cu. Yd.		70	
Concrete Structures	Cu. Yd.		65.5	
Reinforcement Bars, Epoxy Coated	Pound		4,950	
Furnishing Steel Piles HP 14x89	Foot		310	
Driving Piles	Foot		310	
Test Pile Steel HP 14x89	Each		1	
Concrete Encasement Underwater Structure	Cu. Yd.		3.3	
Excavation Protection Location #1	Each		1	

For details of bar splicer, see Sheet No. 24 of 28.  
For details of piles and concrete encasement, see Sheet No. 23 of 28.  
For details of Section A-A and B-B, see Sheet No. 22 of 28.  
For bar dimensions, see Sheet No. 22 of 28.

PILE DATA

Type: Steel HP 14x89  
Nominal Required Bearing: 600 kips  
Allowable Resistance Available: 240 kips  
Est. Length: 62 ft  
No. Production Piles: 5  
No. Test Piles: 1

PIER 1 DETAILS  
IL. ROUTE 100 OVER  
CRAWFORD CREEK  
F.A.P. ROUTE 304 - SECTION 5BR-2  
CALHOUN COUNTY  
STATION 467+59.00  
STRUCTURE NO. 007-0027

DESIGNED	YSS
CHECKED	RLM
DRAWN	AEC
CHECKED	RLM



02/27/08